

# id+ 3.5" square adjustable

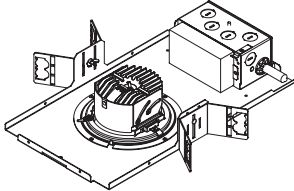
FLCS33



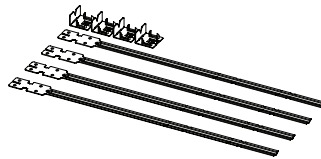
FOCAL POINT®

**! LUMINAIRE MUST BE INSTALLED PRIOR TO DRYWALL CEILING. ALL GRID LUMINAIRES MUST BE SECURED TO STRUCTURE ABOVE. !**

NON-EMERGENCY - THERMALLY PROTECTED, NON-IC



OPTIONAL - BAR HANGERS SOLD SEPARATELY



KEY



POWER OFF



POWER ON



ATTENTION

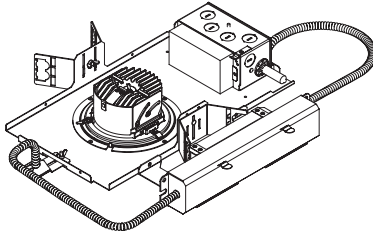


LEVEL

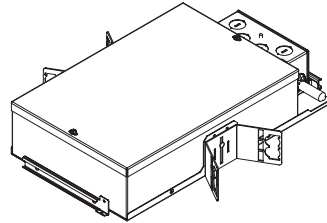


SEE ADDITIONAL INSTRUCTIONS

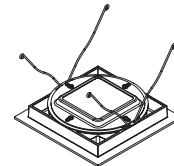
EMERGENCY - REMOTE TEST SWITCH, NON-IC



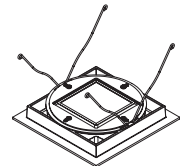
IC/CP



TRIM

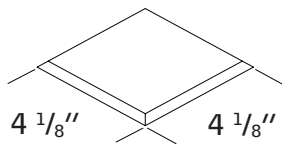


OVERLAP WITH SOLITE LENS



OVERLAP WITHOUT SOLITE LENS

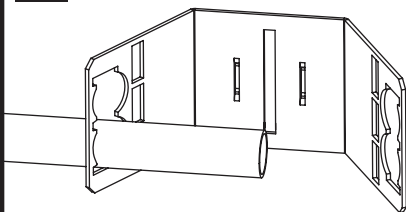
1



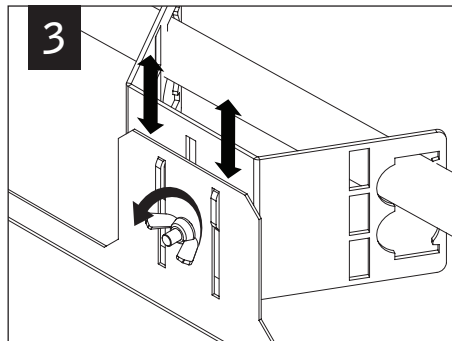
ceiling cutout

## GRID - 1/2" CONDUIT & CLIP (BY OTHERS)

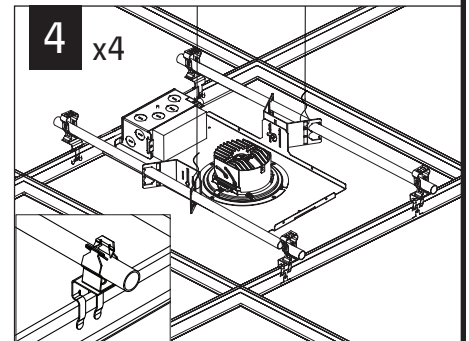
2 x2



3

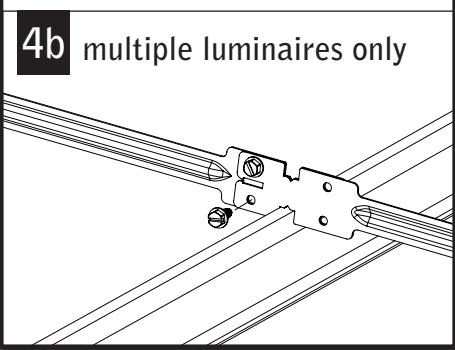
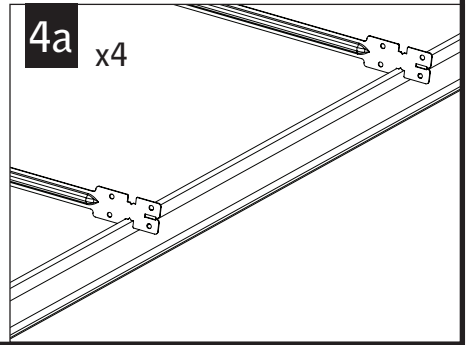
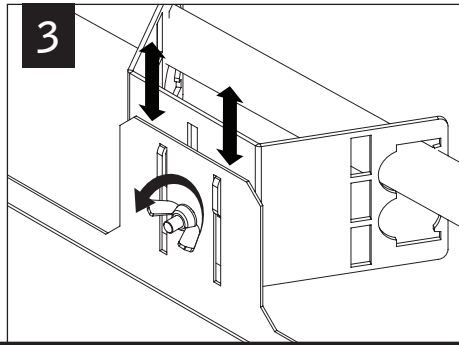
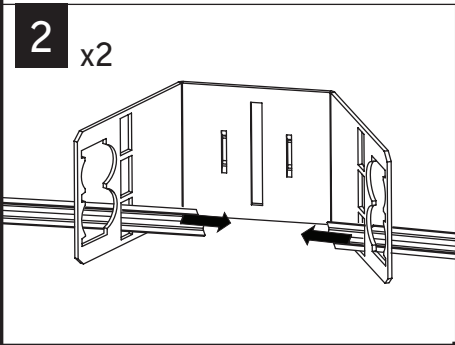


4 x4



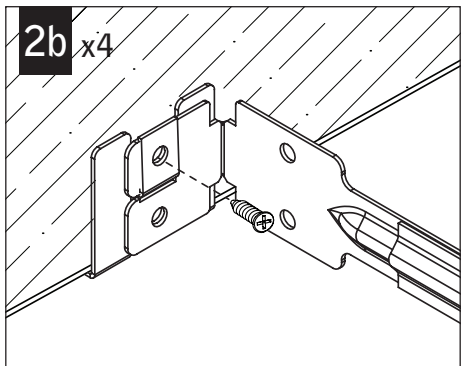
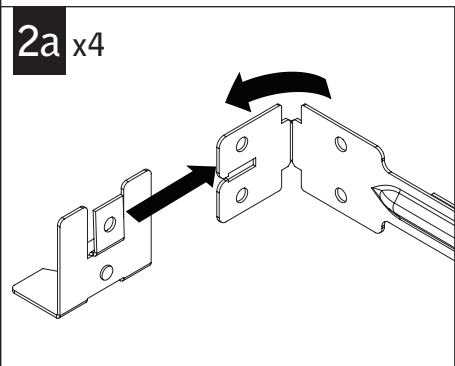
Luminaires must be installed by a qualified electrician (check with local and national codes for proper installation). To prevent electrical shock, disconnect electrical supply before installation or servicing.

**GRID - BAR HANGERS (SOLD SEPARATELY)**

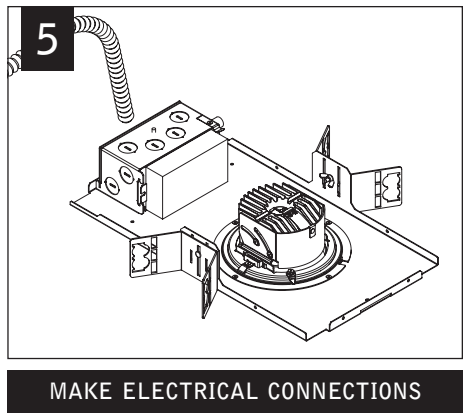
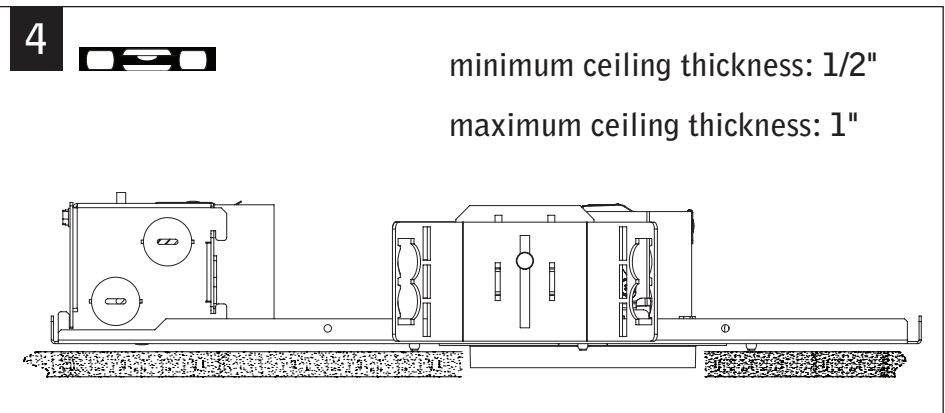
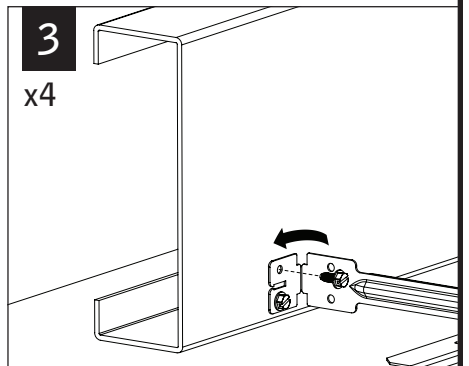


**DRYWALL - BAR HANGERS**

**WOOD STUDS**



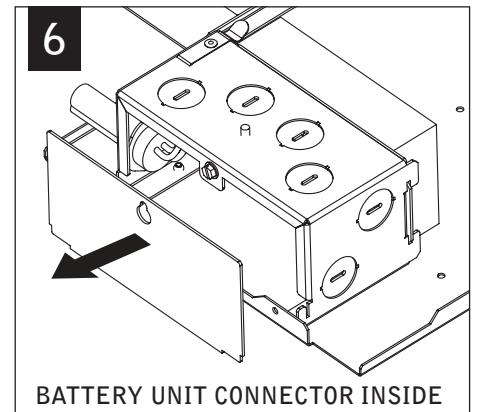
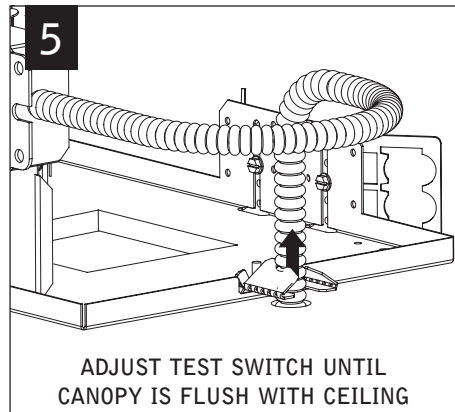
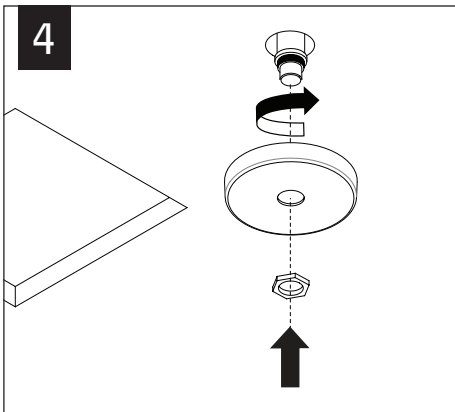
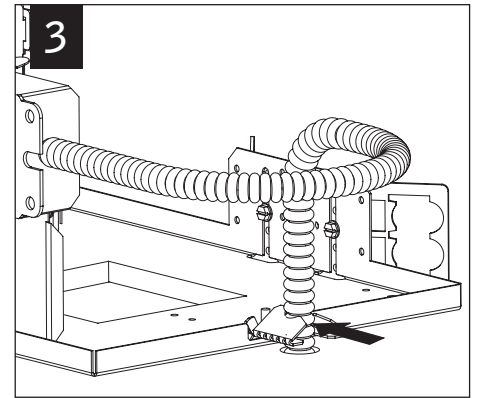
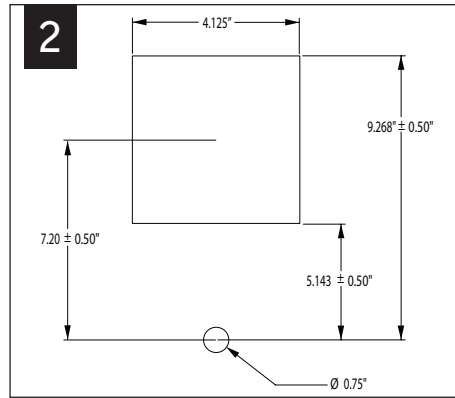
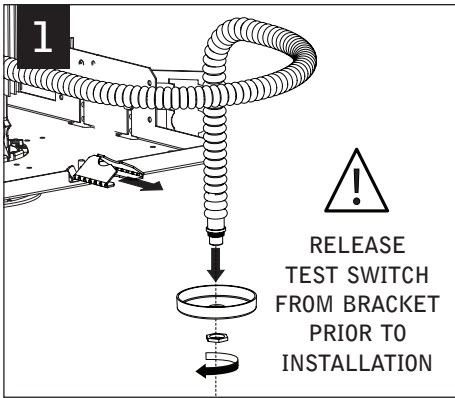
**METAL STUDS**



Fixtures must be installed by a qualified electrician (check with local and national codes for proper installation).  
To prevent electrical shock, disconnect electrical supply before installation or servicing.

# EMERGENCY - REMOTE TEST SWITCH

⚠ ABOVE CEILING ACCESS REQUIRED ⚠



**7**

**I**

SEE BATTERY MANUFACTURER INSTRUCTIONS

⚠

DO NOT MATE BATTERY UNIT CONNECTOR UNTIL INSTALLATION IS COMPLETE AND A.C. POWER IS SUPPLIED

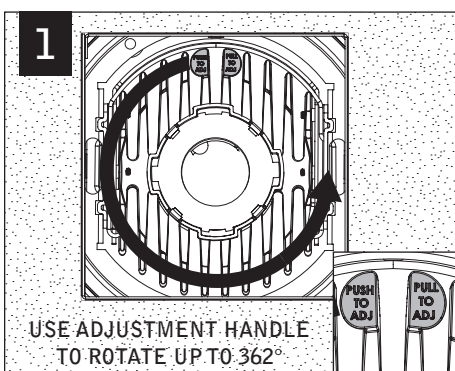
EM- MOUNTING HEIGHT

**I**

SEE BATTERY MANUFACTURER INSTRUCTIONS

EMERGENCY MAXIMUM MOUNTING HEIGHT:  
10.8'

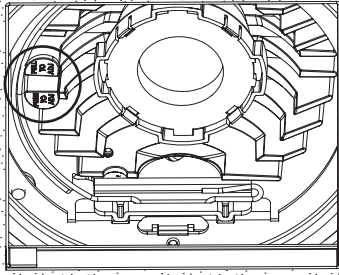
# ROTATE



Fixtures must be installed by a qualified electrician (check with local and national codes for proper installation).  
To prevent electrical shock, disconnect electrical supply before installation or servicing.

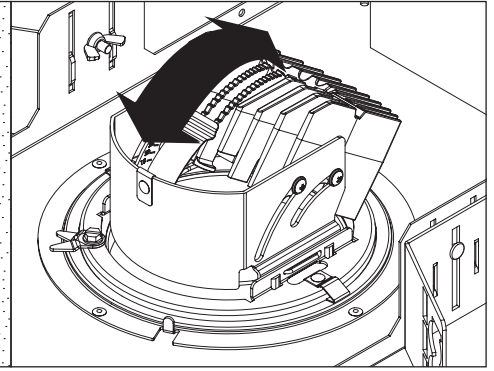
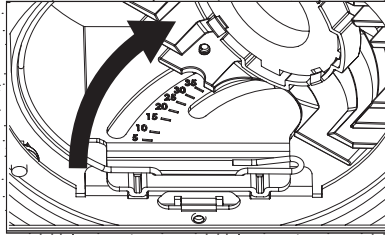
## TILT

1a



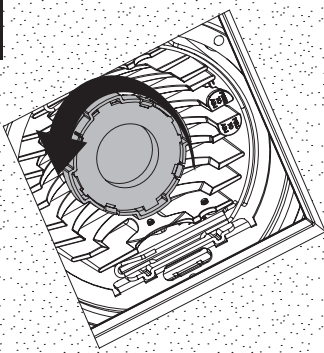
USE ADJUSTMENT HANDLE  
TO TILT UP TO 35°

2a

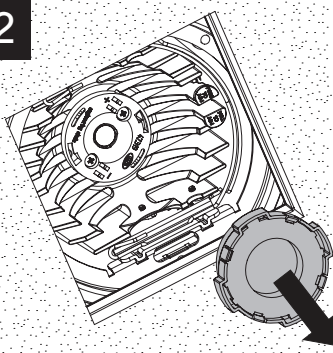


## OPTIC SERVICE

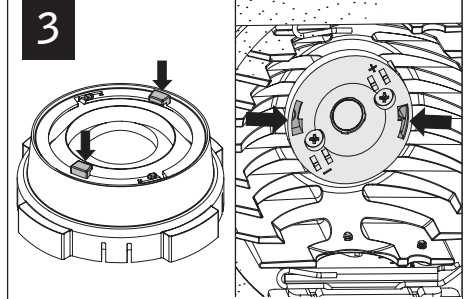
1



2

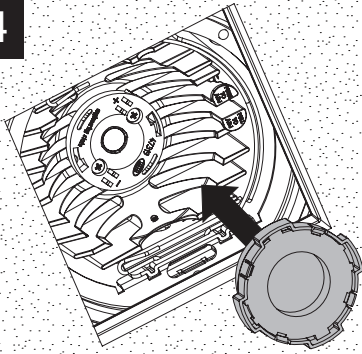


3

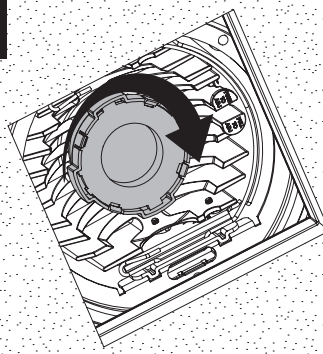


ALIGN TABS ON BACK OF OPTIC  
WITH SLOTS ON FILTER MOUNT

4

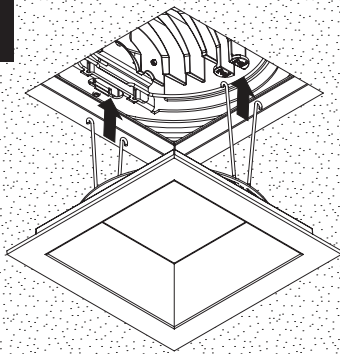


5

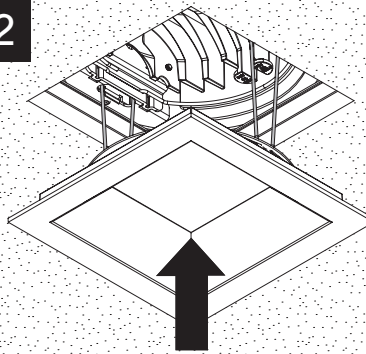


## TRIM INSTALLATION

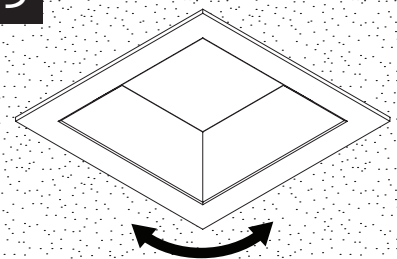
1



2



3



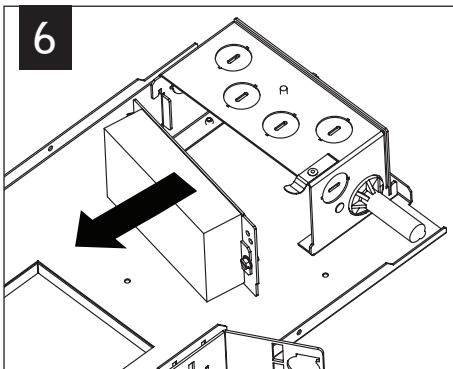
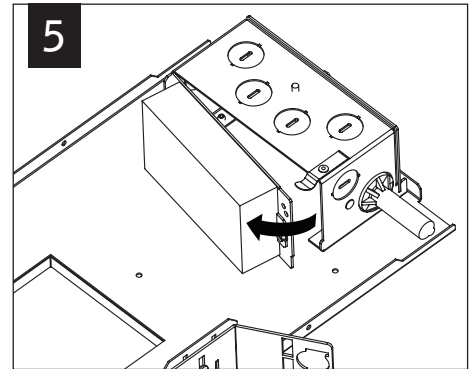
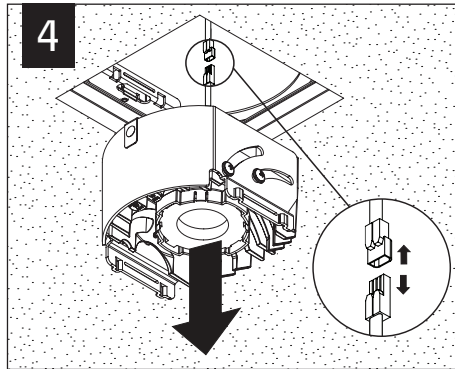
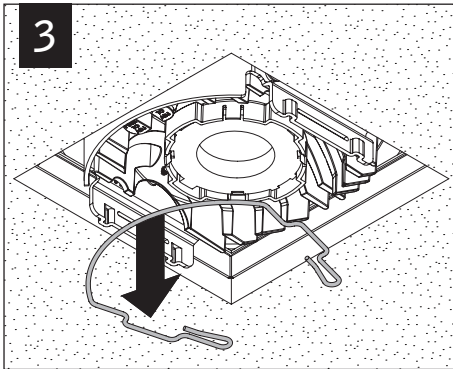
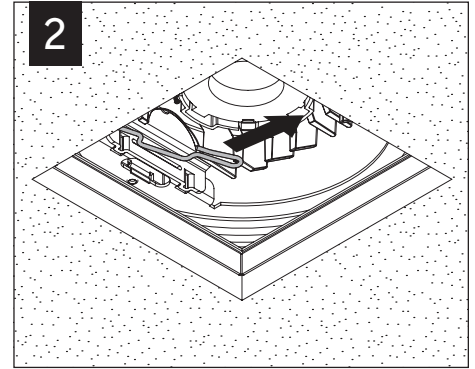
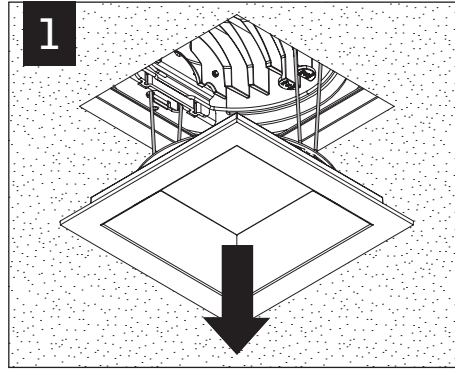
TRIM ROTATES FOR ALIGNMENT

Fixtures must be installed by a qualified electrician (check with local and national codes for proper installation).  
To prevent electrical shock, disconnect electrical supply before installation or servicing.

# DRIVER SERVICE



**TO PREVENT ELECTRICAL SHOCK,  
DISCONNECT ELECTRICAL SUPPLY  
BEFORE SERVICING**



Contractor is responsible for adequately reinforcing walls and/or ceilings to support fixture weight. Focal Point, LLC accepts no responsibility for inadequately reinforced walls and/or ceilings. The information contained in this drawing is the sole property of Focal Point, LLC. Any reproduction in part or whole without the written permission of Focal Point, LLC is prohibited.