

# ID+ 3.5" x 3.5"

LED ADJUSTABLE



FOCAL POINT®



clear diffuse



warm diffuse



black



white

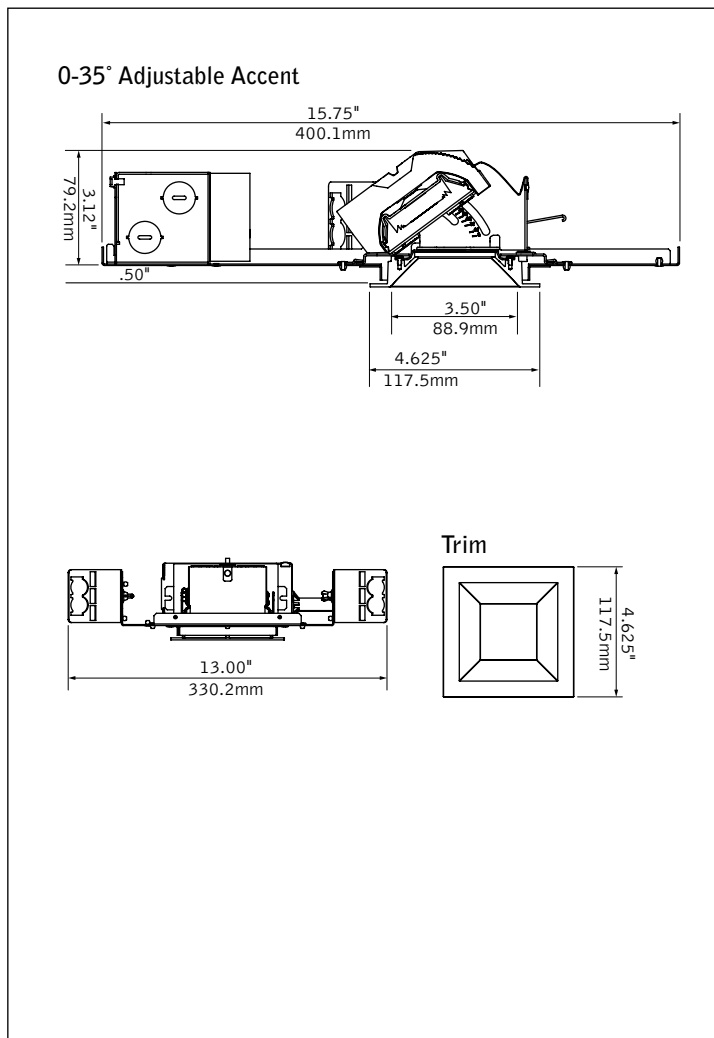


spot - open optic



trimless companion

## DIMENSIONAL DATA



## FEATURES

Small aperture LED adjustable accent with shallow housing for restricted plenum ceilings.

Tension locking mechanism for tool-less adjustability and precise aiming with 35° vertical tilt and 362° rotation.

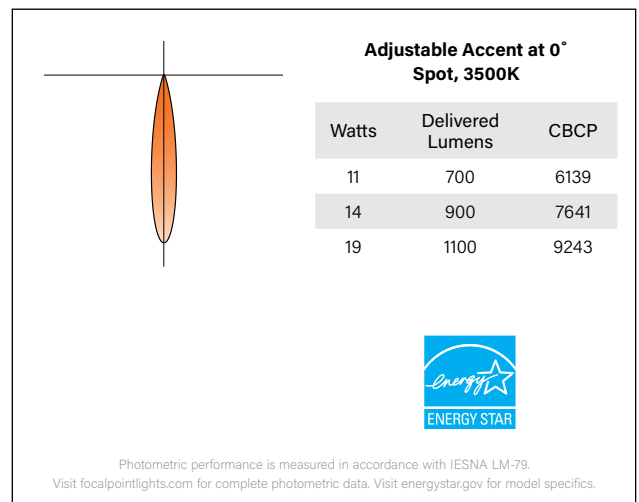
Field changeable beam spread optics to accommodate post-installation design changes.

Selection of die-cast trims with Solite lens to complement any design.

Built-in adjustment feature to ensure flawless alignment of installed trims.

PoE compatible: Integrates with Power over Ethernet lighting systems via standard, low-voltage wires.

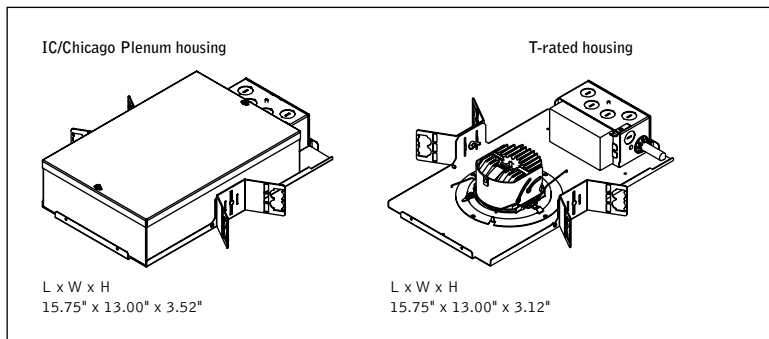
## PERFORMANCE



fixture:

project:

**HOUSING DETAILS**



**HOUSING SPECIFICATIONS**

**LED System**

Proprietary LED module with single light emitting source. May be specified in 2700K, 3000K, 3500K or 4000K in CRI>80 or CRI>90. Color accuracy within 2 SDCM. Aluminum heat sink provides appropriate thermal management.

**Construction**

Thermally protected housing for new construction applications. Insulation to be kept 3" away from housing. Type IC inherently protected, suitable for direct contact with insulation. Restrictive airflow per ASTM-E283. Butterfly brackets allow mounting to 1/2 emt. Order bar hangers as an accessory. Die-cast aluminum heat sink designed for maximum thermal dissipation. Die-formed housing and integral junction box with (7) 1/2" pry outs. UL & cUL listed for (8) #12 AWG (4 in, 4 out) 90°C conductors and feed through-branch wiring. Accommodates ceiling thicknesses from 0.5" to 1" thickness. For thicker ceiling consult factory. Fixture will not exceed 5 lb.

**Adjustment**

35° vertical tilt and 362° rotation of light module.

**Electrical**

Choice of constant current dimming drivers. Power factor > .9 typical. PoE compatible: Integrates with Power over Ethernet lighting systems via standard, low-voltage wires.

**Emergency**

Bodine BSL17C-C2. Emergency output —7W for 90 minutes. Above ceiling access only. Maximum mounting height: 10.78ft.

**Labels**

UL and cUL Listed. Suitable for Dry or Damp Locations, indoor use only. AA trim optic with Solite lens, wet location standard.

**Lumen Maintenance**

Reported: L70 at >55,000 hours      Calculated: L70 at 420,000 hours  
 L90 at >55,000 hours                      L90 at 108,000 hours

Derived from EPA TM-21 calculator. Based on typical conditions, consult factory for additional data.

**Reliability**

At Focal Point, our products are designed to stand the test of time. Each luminaire is engineered using superior components, manufactured with the utmost care and rigorously tested. Contact us for reliability data.

**Warranty**

LED System rated for operation in ambient environments up to 25°C. 5-year limited warranty.

**TRIM SPECIFICATIONS**

**Aesthetics**

Reflector is Die-cast aluminum. Torsion springs pull trim tight to the ceiling with no visible fasteners within the trim. Trims are self-flanged.

**Optics**

Beam spreads achieved with optics that may be easily changed in field.

**15° SPOT PERFORMANCE CHART**

Delivered Lumens	System Watts	Lumens per Watt (LPW)	Center Beam Candlepower (CBCP)
700	11	65	6139
900	14	66	7641
1100	19	56	9243

Tested with 3500K, 80CRI, Clear Diffuse Reflector. Lumen multipliers: 90CRI = 0.75, WD = 0.9963, BK = 0.9726, WH = 1.0126. Lumen output may vary +/- 5%. Actual wattage may vary +/- 5%.

**HOUSING ORDERING**

<b>Housing Series</b>	<b>FLCS33</b>
ID+ 3.5" Square Housing	FLCS33
<b>Trim Type</b>	<b>SO</b>
Square Overlap	SO
<b>Lumen Output</b>	
700 Lumens	700L
900 Lumens	900L
1100 Lumens	1100L
<b>Color Temperature</b>	
2700K, 80+ CRI or 90+ CRI	27K or 927K
3000K, 80+ CRI or 90+ CRI	30K or 930K
3500K, 80+ CRI or 90+ CRI	35K or 935K
4000K, 80+ CRI or 90+ CRI	40K or 940K

<b>Distribution</b>	
15° Spot (AAS trim optic only)	SP
18° Spot with Solite Lens	SPA
25° Narrow Flood	NFL
45° Flood	FL
30° x 15° Linear Spread Lens	LS
<b>Voltage</b>	
120V	120
277V	277
Low Voltage	LV
<b>Control System &amp; Dimming Level</b>	
0-10V - 1% Dimming	L11
0-10V - 10% Dimming	LD1
0-10V - 0% Dimming	LZ1
Low Voltage, PoE compatible (No driver. Not available with EMR, LV Voltage only)	LVN
Forward Phase (120V only, 700L & 900L only)	LFP
DALI - 1% Dimming	D11
DALI - 0% Dimming	DZ1
Lutron Hi-Lume EcoSystem (LDE1) - 1% Dimming	LH1

<b>Housing Type</b>	
IC Rated / Airtight (700L & 900L only, 900L not available with Lutron)	IC
Thermally Protected, Non-IC (700 only with LVN)	T

<b>Factory Options</b>	
Bar Hangers	BH
Chicago Plenum / National Plenum (Inverter required to achieve Emergency lighting)	CP
Emergency Battery with Remote Test Switch (Above ceiling access only, Not available with Chicago Plenum or IC)	EMR

**TRIM ORDERING**

<b>Aperture</b>	<b>LCS33</b>
3.5" Square Aperture	LCS33
<b>Trim Type</b>	<b>SO</b>
Square Overlap	SO
<b>Optic</b>	
Adjustable Accent (Solite lens standard)	AA
Adjustable Accent - 15° Spot (Open optic, no wet location, SP distribution only)	AAS

<b>Reflector Color</b>	
Clear Diffuse	CD
Warm Diffuse	WD
Black	BK
White	WH
<b>Flange Finish</b>	
(Leave blank for matching reflector and flange finish. Available with CD & WD only.)	
Black	BK
White	WH

**ACCESSORIES**

(One kit included per order as indicated in Distribution above. Order additional kits to change distribution in the field as needed.)	
Spot Kit	FLCS33-SPAK
Narrow Flood Kit	FLCS33-NFLK
Flood Kit	FLCS33-FLK
Linear Spread Kit	FLCS33-LSK