

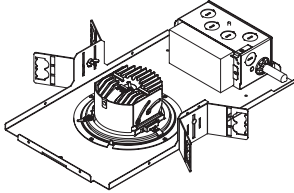
id+ 3.5" round adjustable

FLCS3

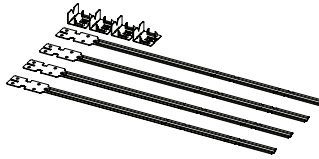


! LUMINAIRE MUST BE INSTALLED PRIOR TO DRYWALL CEILING. ALL GRID LUMINAIRES MUST BE SECURED TO STRUCTURE ABOVE. !

NON-EMERGENCY - THERMALLY PROTECTED, NON-IC



OPTIONAL - BAR HANGERS SOLD SEPARATELY



KEY



POWER OFF



POWER ON



ATTENTION

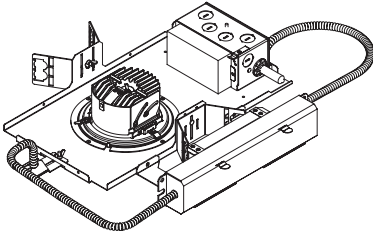


LEVEL

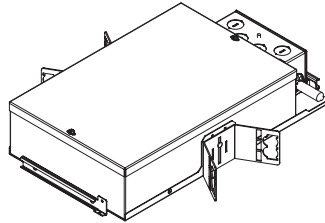


SEE ADDITIONAL INSTRUCTIONS

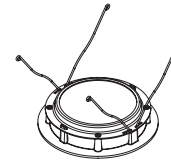
EMERGENCY - REMOTE TEST SWITCH, NON-IC



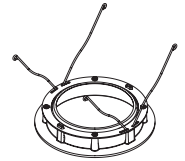
IC/CP



TRIM

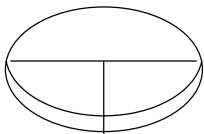


OVERLAP WITH SOLITE LENS



OVERLAP WITHOUT SOLITE LENS

1

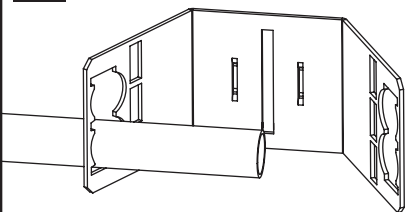


4 1/8"

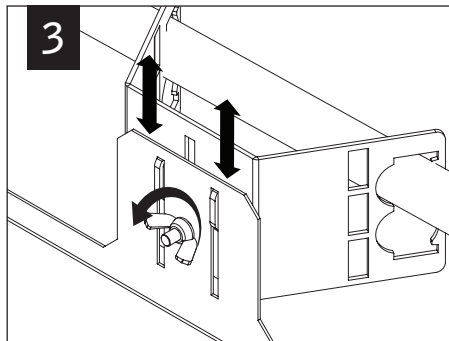
ceiling cutout

GRID - 1/2" CONDUIT & CLIP (BY OTHERS)

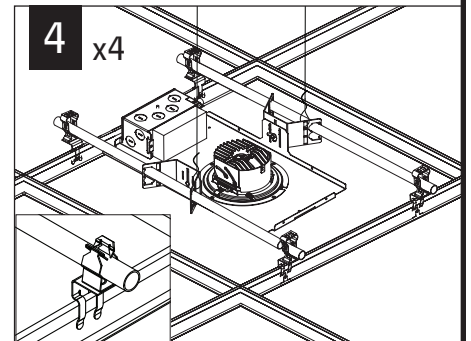
2 x2



3

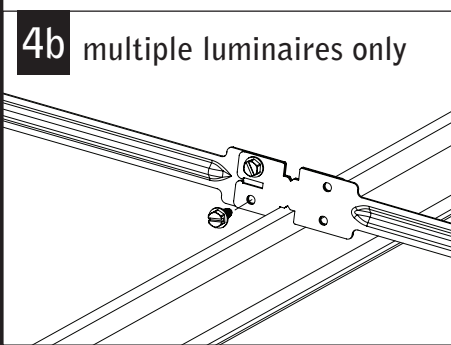
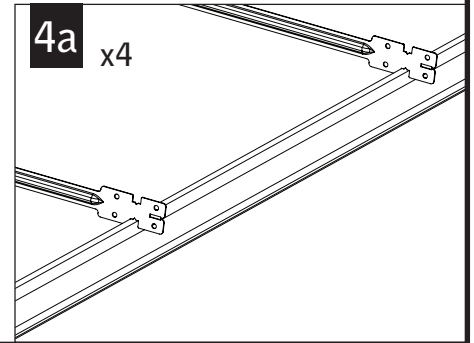
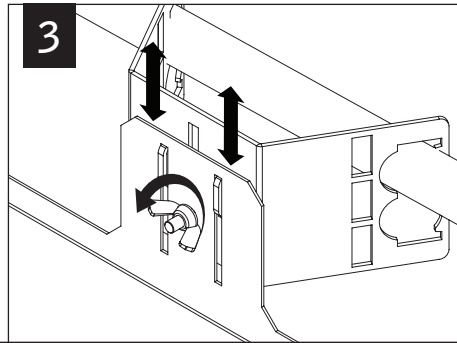
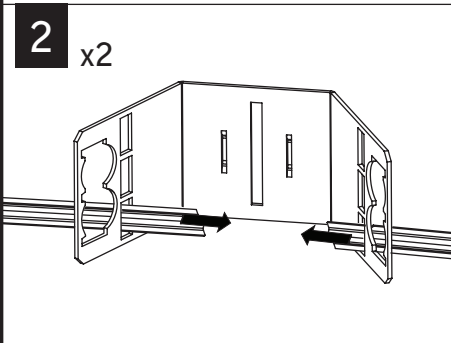


4 x4



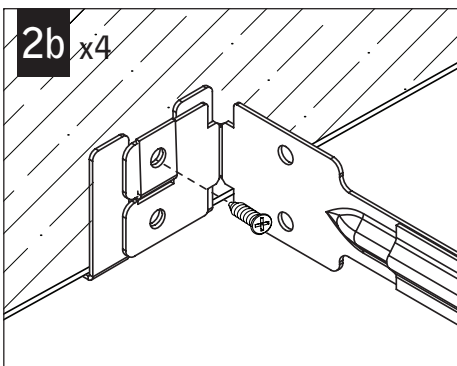
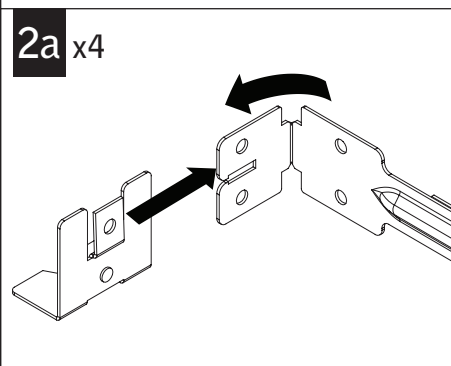
Luminaires must be installed by a qualified electrician (check with local and national codes for proper installation). To prevent electrical shock, disconnect electrical supply before installation or servicing.

GRID - BAR HANGERS (SOLD SEPARATELY)

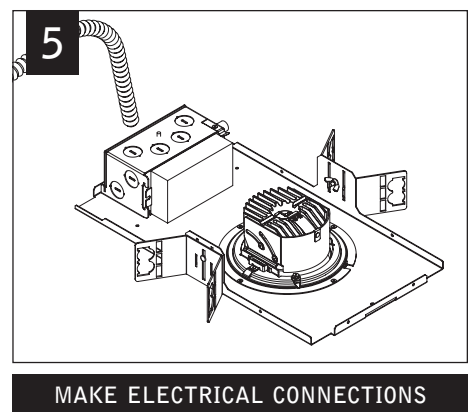
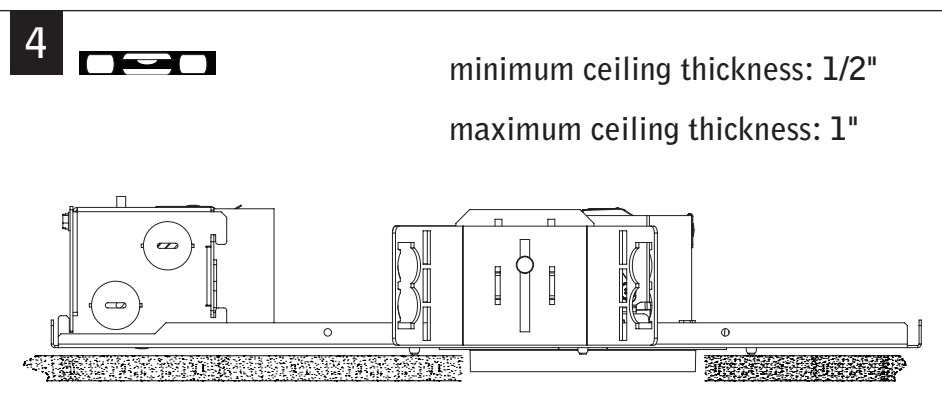
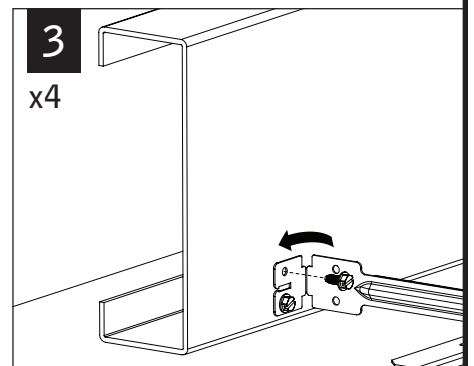


DRYWALL - BAR HANGERS

WOOD STUDS



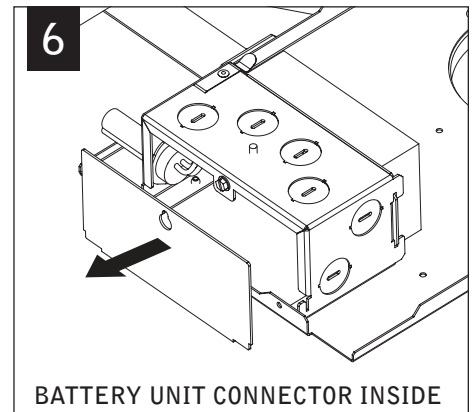
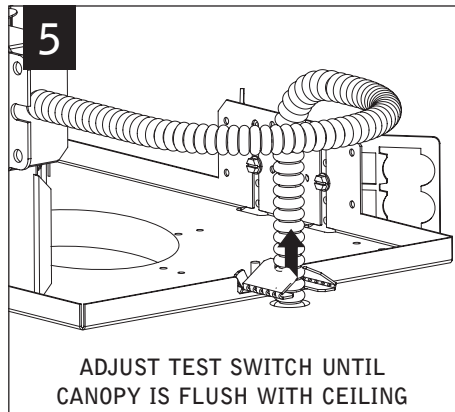
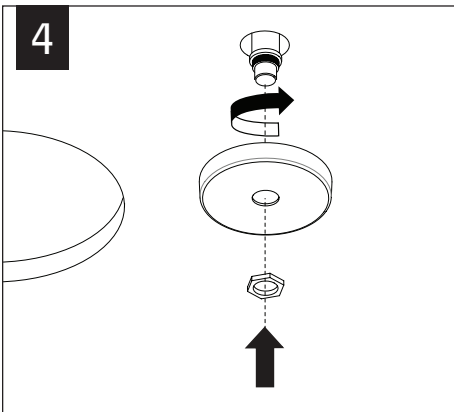
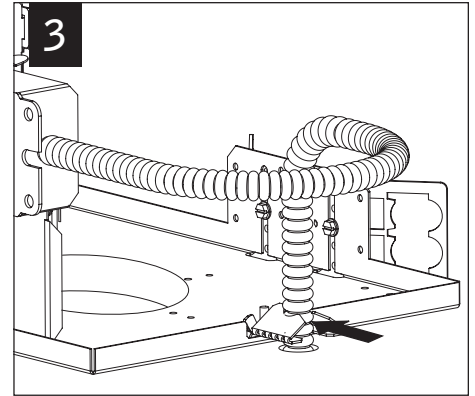
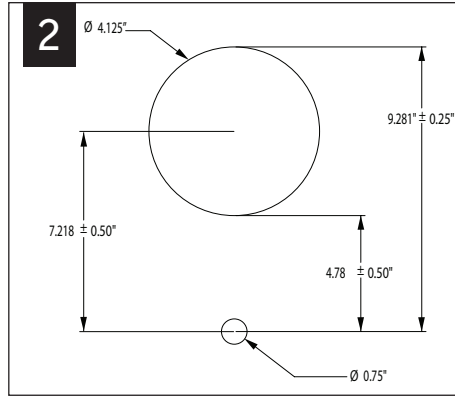
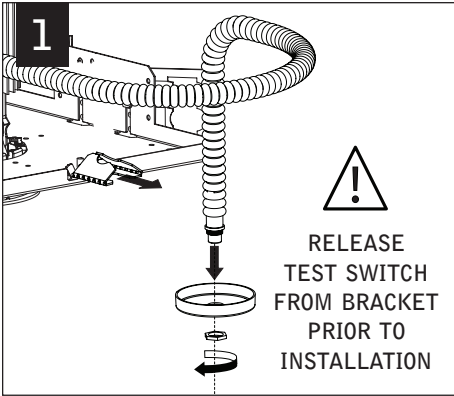
METAL STUDS



Fixtures must be installed by a qualified electrician (check with local and national codes for proper installation).
To prevent electrical shock, disconnect electrical supply before installation or servicing.

EMERGENCY - REMOTE TEST SWITCH

⚠ ABOVE CEILING ACCESS REQUIRED ⚠



7

I

SEE BATTERY MANUFACTURER INSTRUCTIONS

⚠

DO NOT MATE BATTERY UNIT CONNECTOR UNTIL INSTALLATION IS COMPLETE AND A.C. POWER IS SUPPLIED

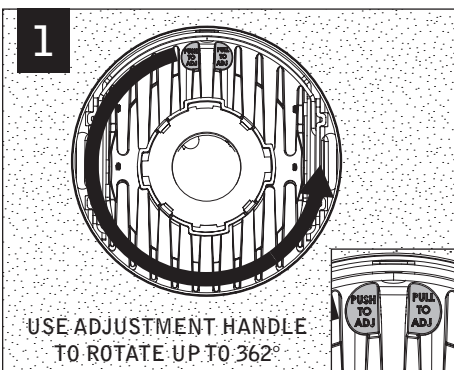
EM- MOUNTING HEIGHT

I

SEE BATTERY MANUFACTURER INSTRUCTIONS

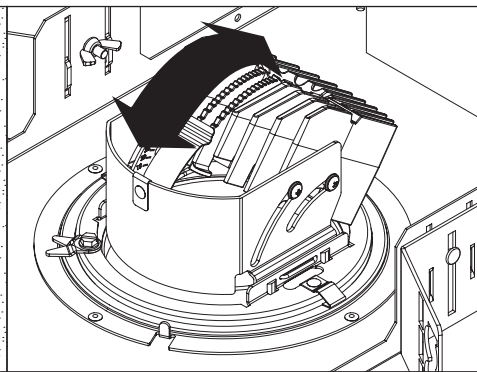
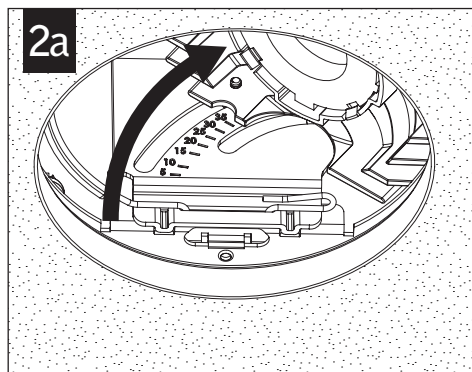
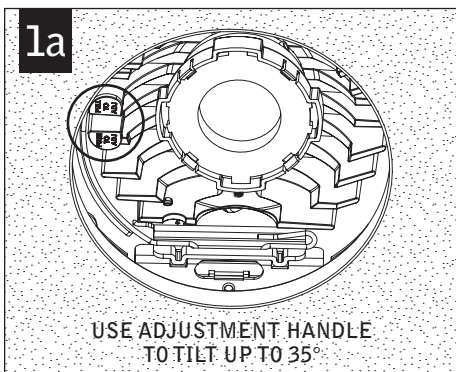
EMERGENCY MAXIMUM MOUNTING HEIGHT:
10.8'

ROTATE

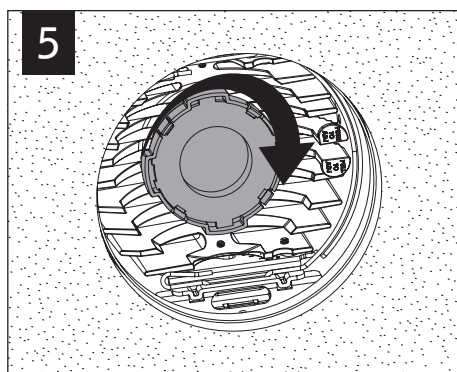
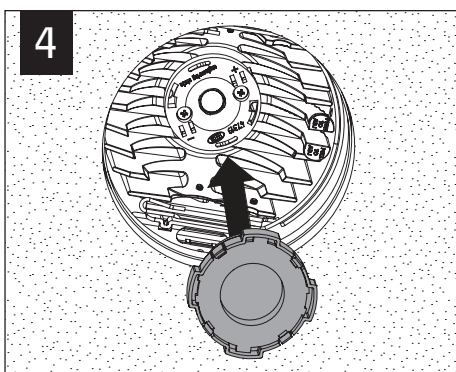
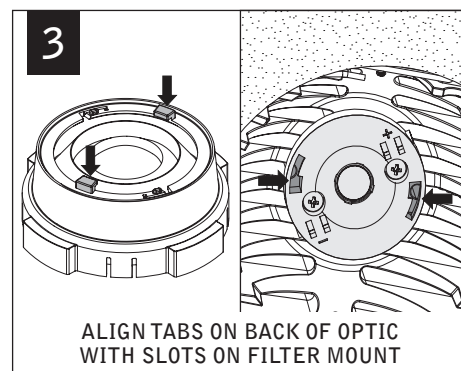
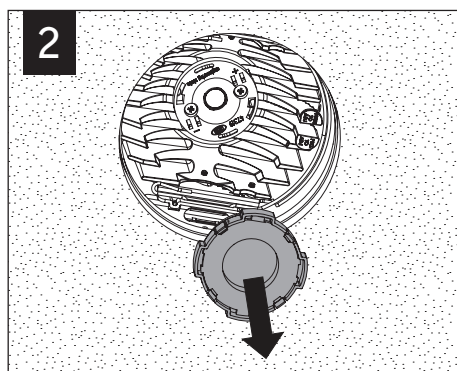
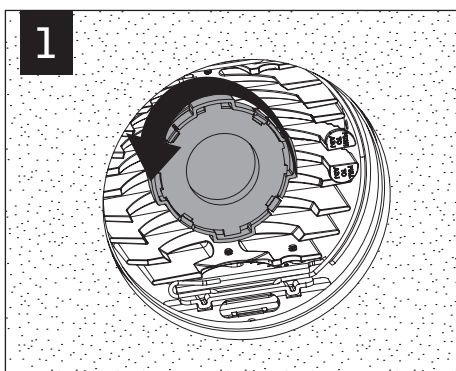


Fixtures must be installed by a qualified electrician (check with local and national codes for proper installation). To prevent electrical shock, disconnect electrical supply before installation or servicing.

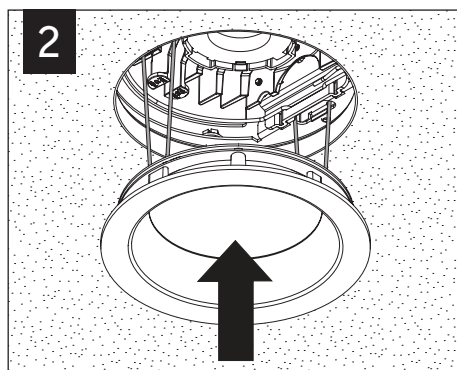
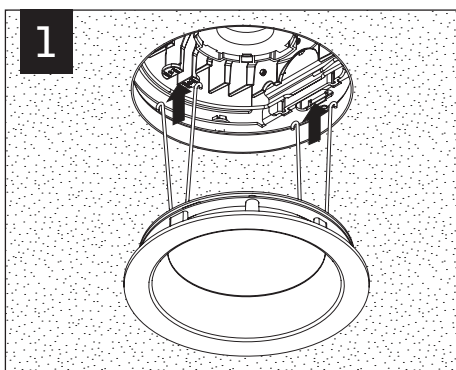
TILT



OPTIC SERVICE



TRIM INSTALLATION

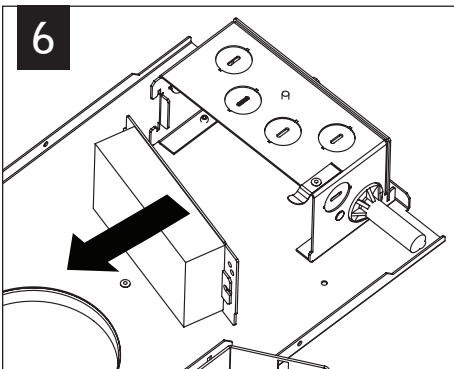
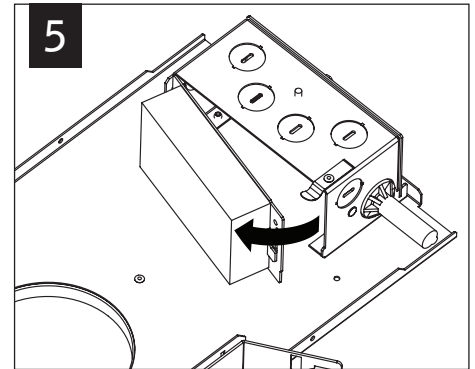
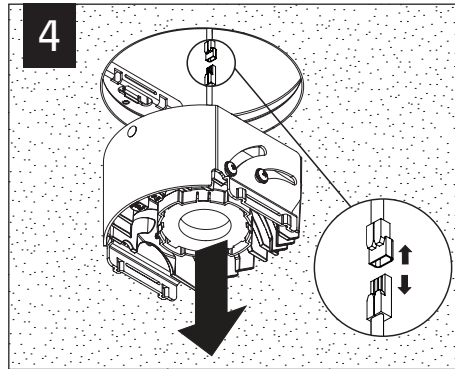
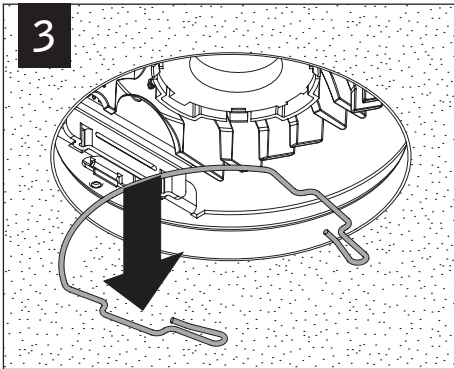
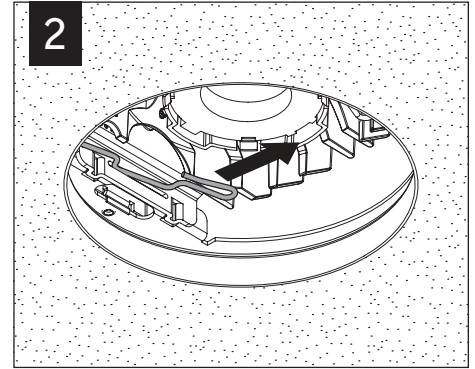
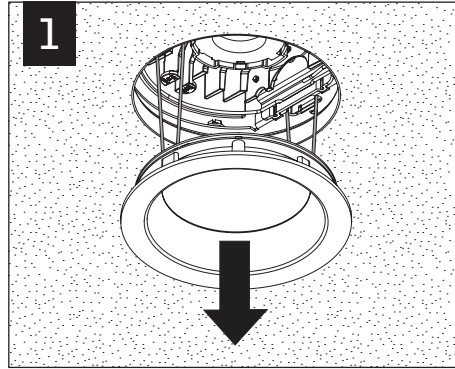


Fixtures must be installed by a qualified electrician (check with local and national codes for proper installation).
To prevent electrical shock, disconnect electrical supply before installation or servicing.

DRIVER SERVICE



**TO PREVENT ELECTRICAL SHOCK,
DISCONNECT ELECTRICAL SUPPLY
BEFORE SERVICING**



Contractor is responsible for adequately reinforcing walls and/or ceilings to support fixture weight. Focal Point, LLC accepts no responsibility for inadequately reinforced walls and/or ceilings. The information contained in this drawing is the sole property of Focal Point, LLC. Any reproduction in part or whole without the written permission of Focal Point, LLC is prohibited.