

id+ 3.5" round trimless adjustable

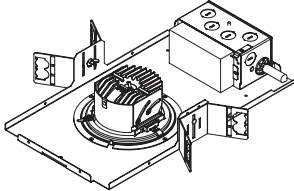
FLCS3



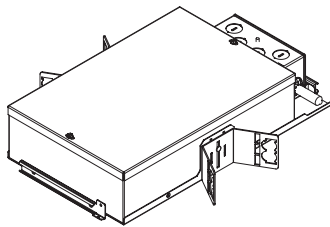
FOCAL POINT®

LUMINAIRE MUST BE INSTALLED PRIOR TO DRYWALL CEILING. ALL GRID LUMINAIRES MUST BE SECURED TO STRUCTURE ABOVE.

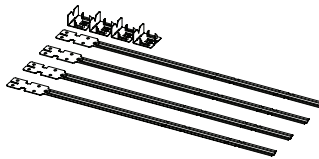
NON-EMERGENCY - THERMALLY PROTECTED, NON-IC



IC/CP



OPTIONAL - BAR HANGERS SOLD SEPARATELY



TRIM



TRIMLESS WITH SOLITE LENS



TRIMLESS WITHOUT SOLITE LENS

KEY



POWER OFF



POWER ON



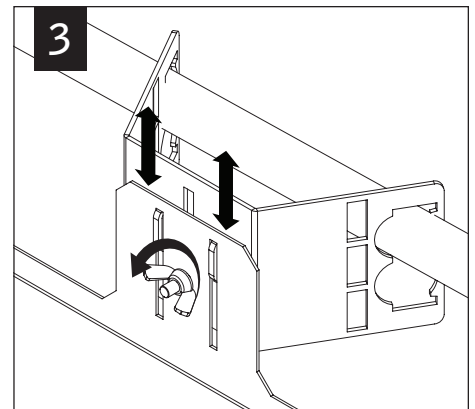
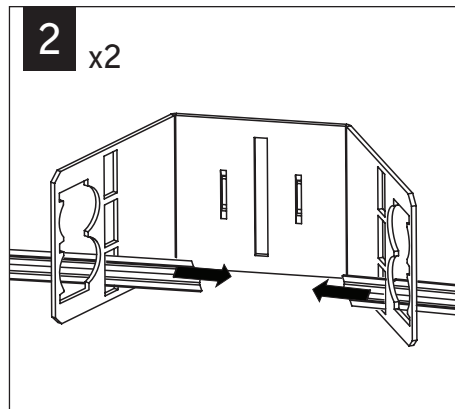
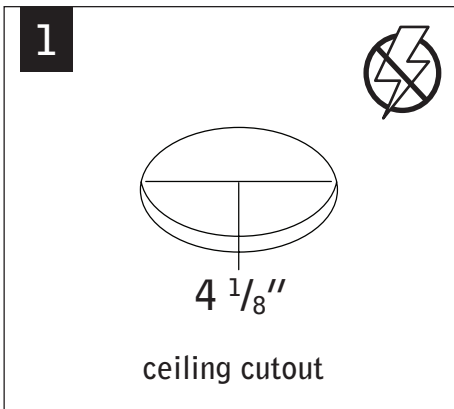
ATTENTION



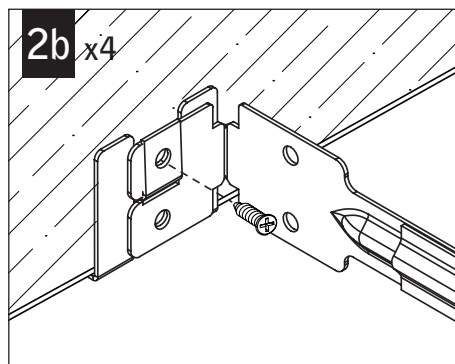
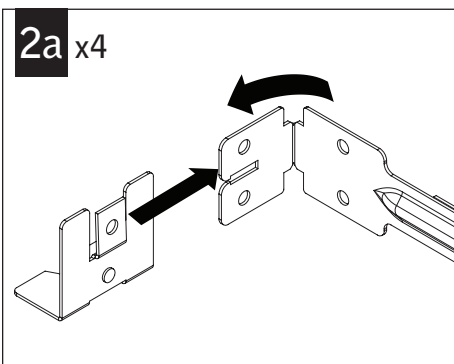
LEVEL



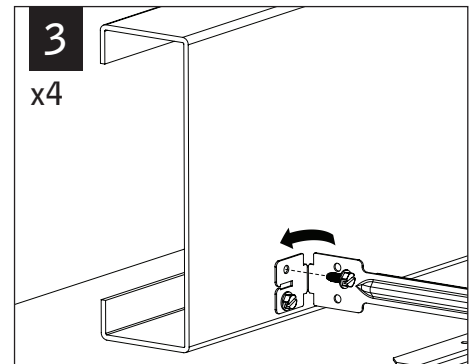
SEE ADDITIONAL INSTRUCTIONS




WOOD STUDS



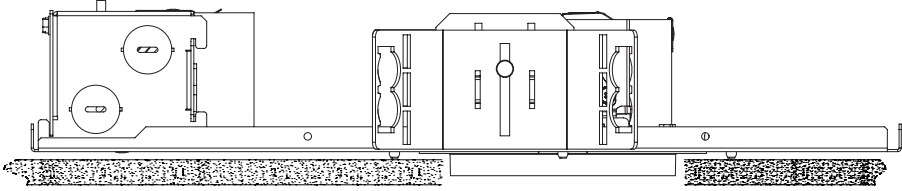
METAL STUDS

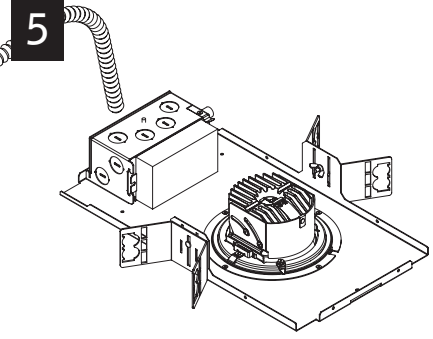


Luminaires must be installed by a qualified electrician (check with local and national codes for proper installation). To prevent electrical shock, disconnect electrical supply before installation or servicing.

4 

minimum ceiling thickness: 1/2"
maximum ceiling thickness: 1"

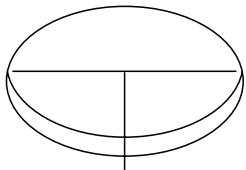


5 


MAKE ELECTRICAL CONNECTIONS

MUD-IN

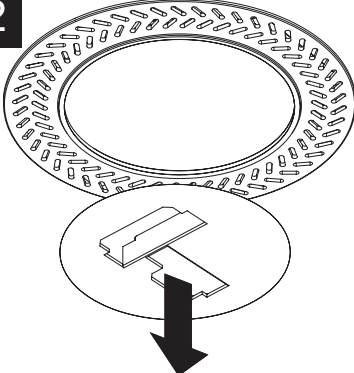
1



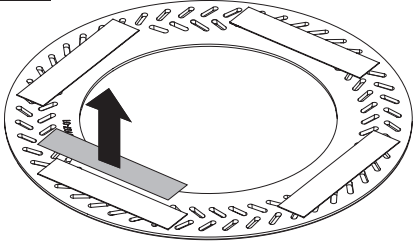
4 1/8"

 CLEAN CEILING SURFACE
FREE OF DUST AND DEBRIS

2

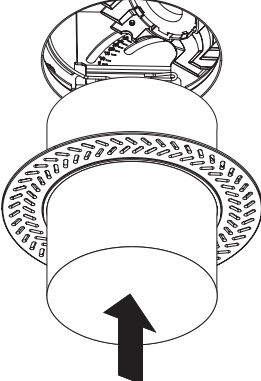


3

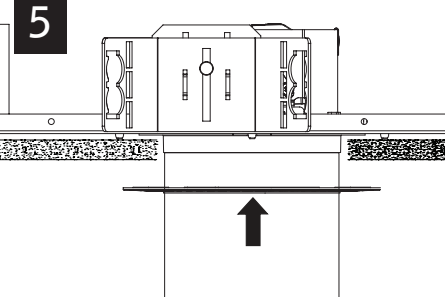


REMOVE ADHESIVE BACKING
FROM MUD RING

4

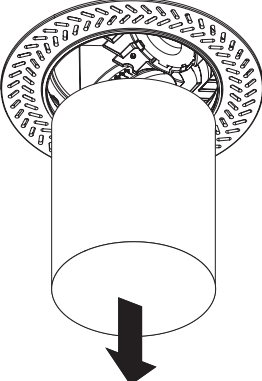


5



USE FOAM CYLINDER TO ALIGN MUD
RING WITH HOUSING COLLAR OPENING

6

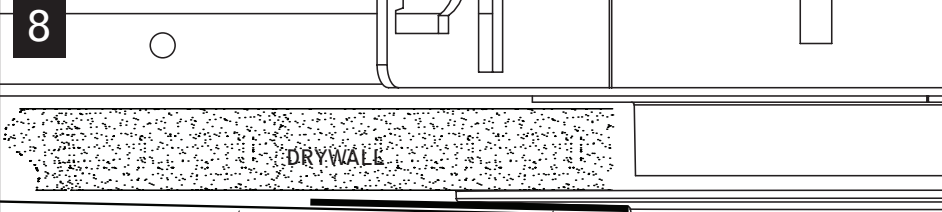


7



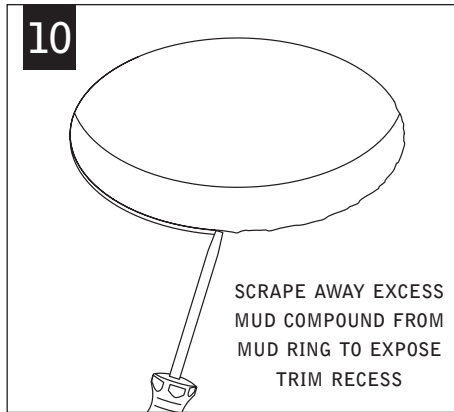
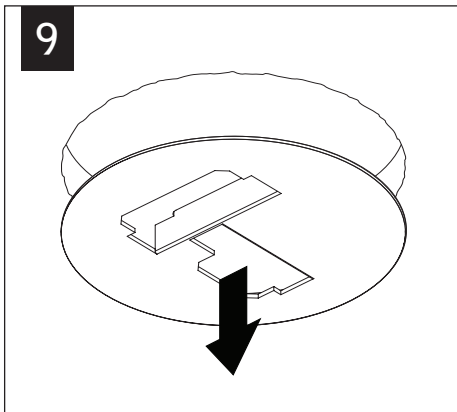
 DO NOT REMOVE DUST
COVER UNTIL TAPE AND
MUD-IN COMPLETE

8



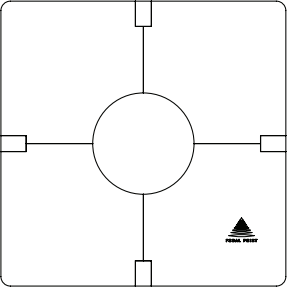
APPLY TAPE AND DRYWALL COMPOUND AT LEAST 8-12" OUT FROM APERTURE

Fixtures must be installed by a qualified electrician (check with local and national codes for proper installation).
To prevent electrical shock, disconnect electrical supply before installation or servicing.




WOOD CEILING

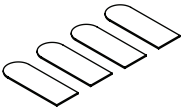
WOOD CEILING INSTALLATION KIT PARTS LIST



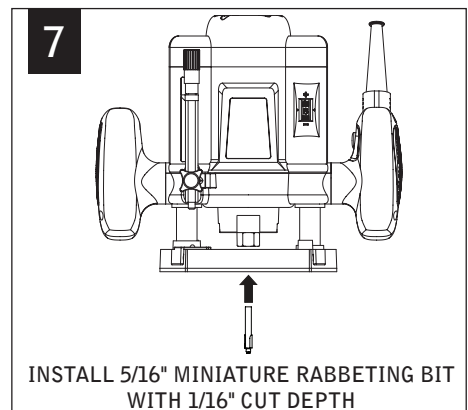
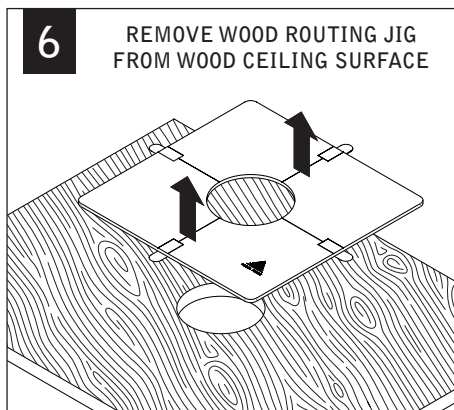
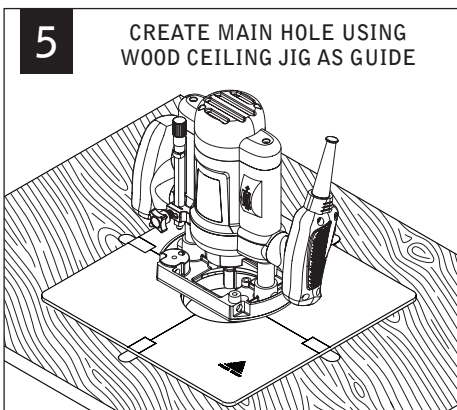
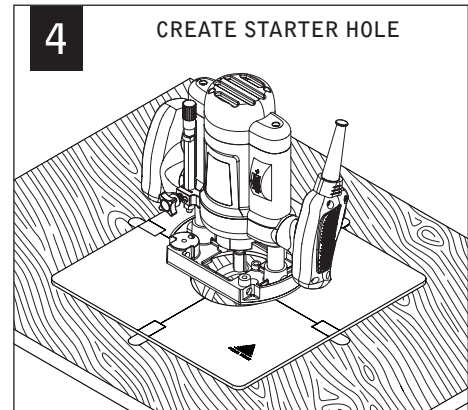
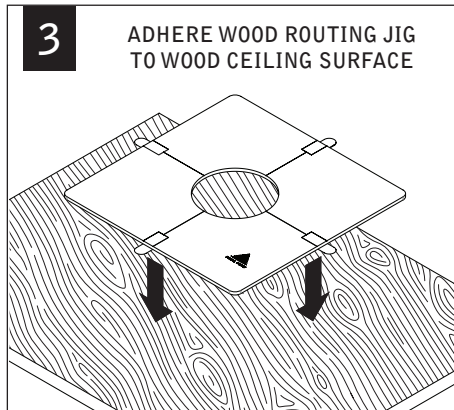
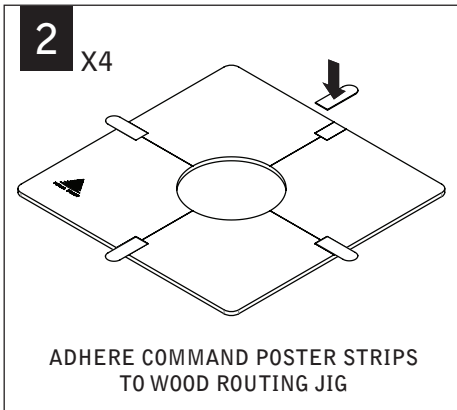
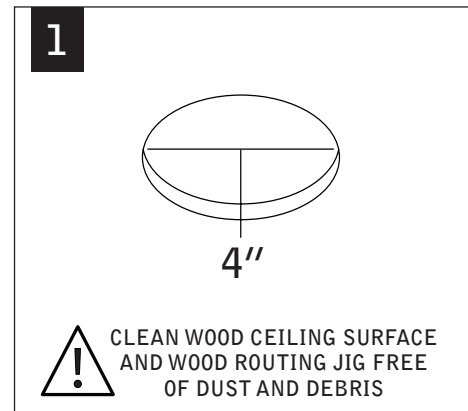
WOOD ROUTING JIG



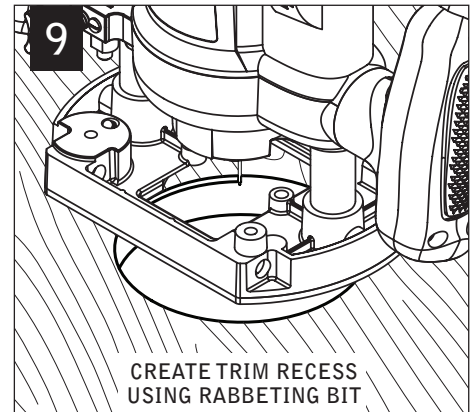
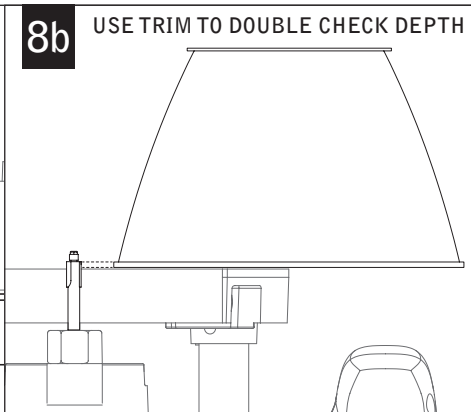
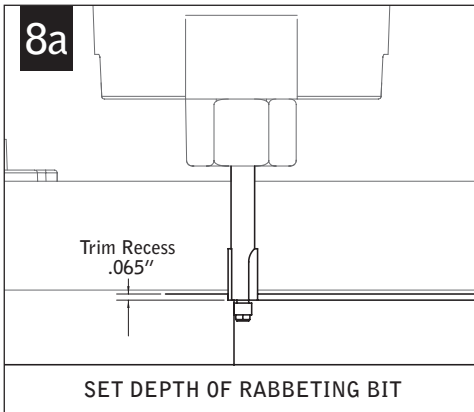
5/16" MINIATURE RABBETING BIT WITH 1/16" CUT DEPTH



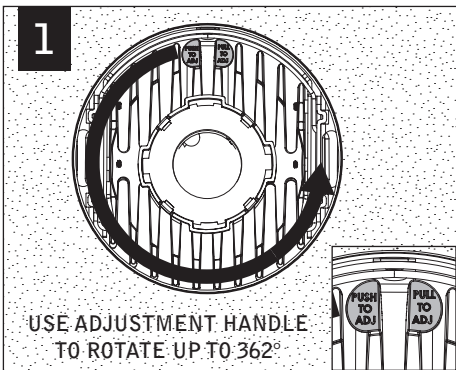
3M COMMAND POSTER STRIP #136 (QTY. 40)



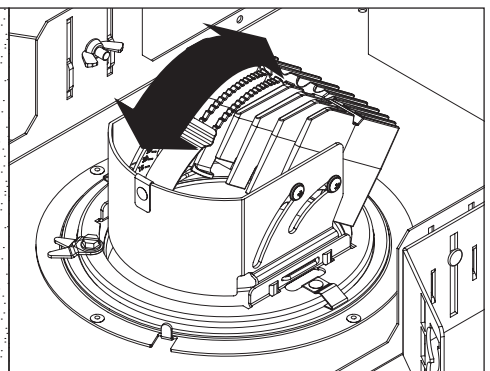
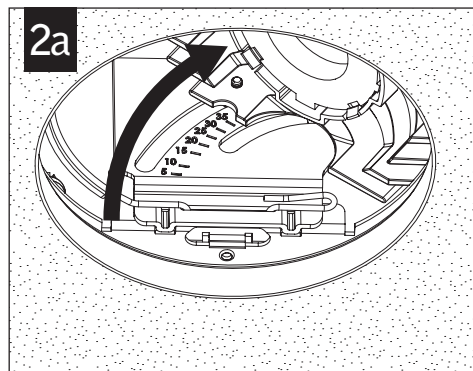
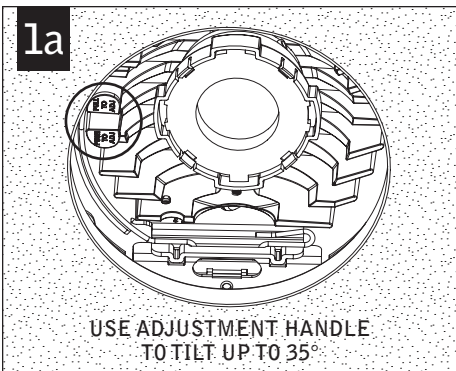
Fixtures must be installed by a qualified electrician (check with local and national codes for proper installation).
To prevent electrical shock, disconnect electrical supply before installation or servicing.



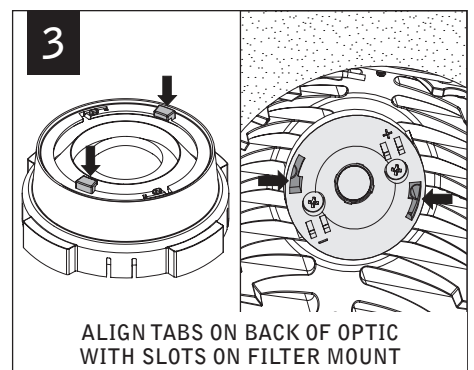
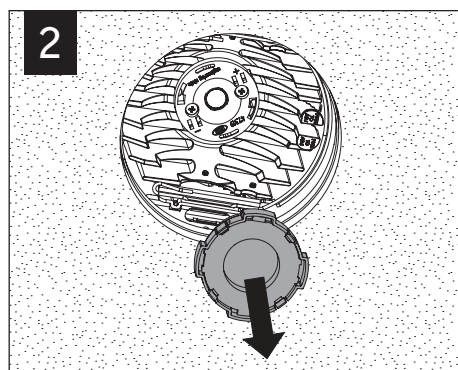
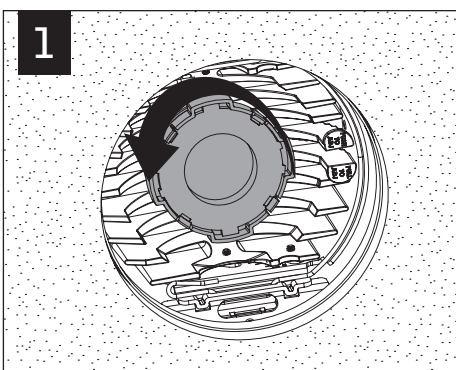
ROTATE



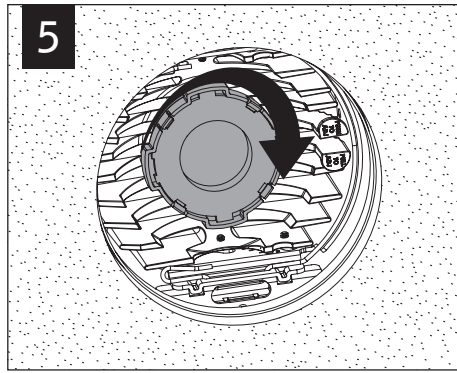
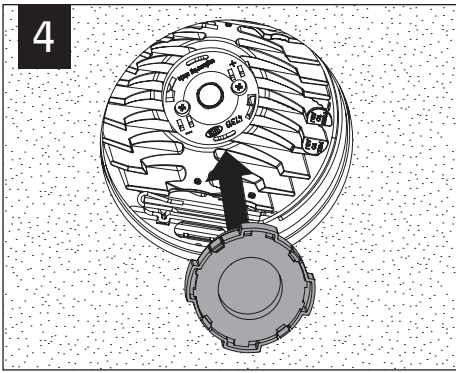
TILT



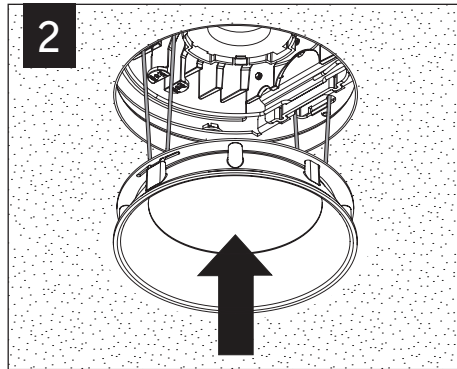
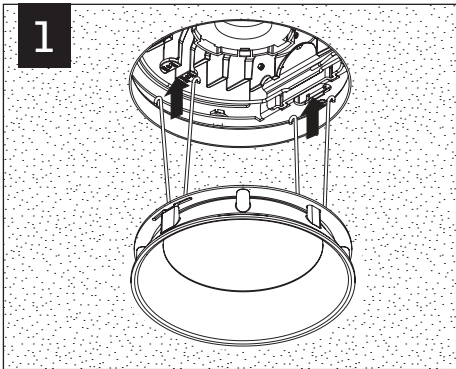
OPTIC SERVICE




Fixtures must be installed by a qualified electrician (check with local and national codes for proper installation).
To prevent electrical shock, disconnect electrical supply before installation or servicing.

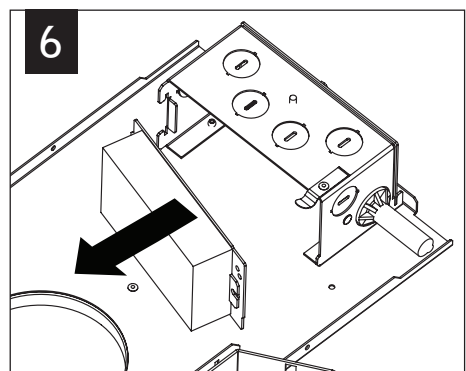
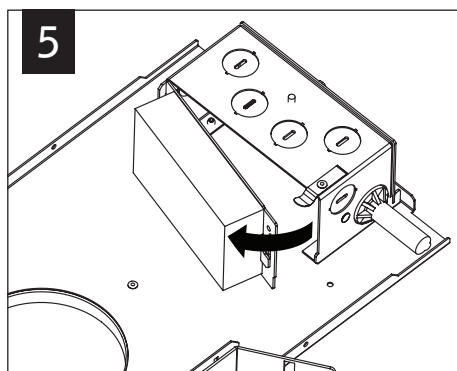
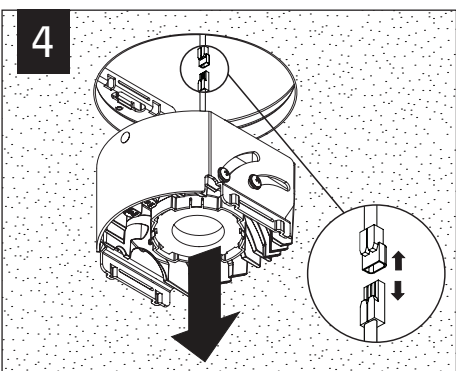
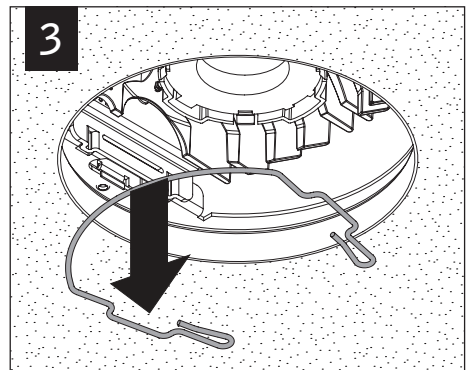
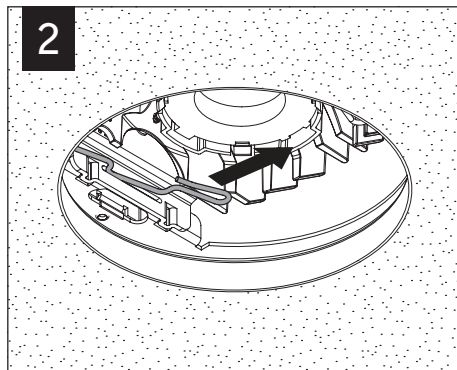
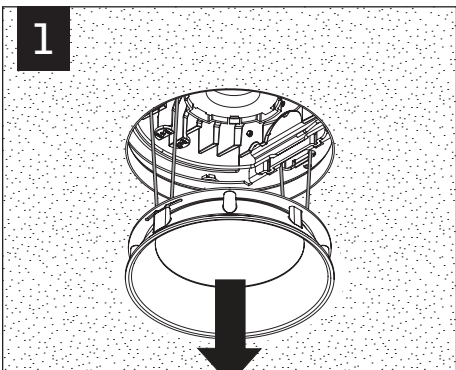


TRIM INSTALLA-



DRIVER SERVICE


TO PREVENT ELECTRICAL SHOCK, DISCONNECT ELECTRICAL SUPPLY BEFORE SERVICING



Contractor is responsible for adequately reinforcing walls and/or ceilings to support fixture weight. Focal Point, LLC accepts no responsibility for inadequately reinforced walls and/or ceilings. The information contained in this drawing is the sole property of Focal Point, LLC. Any reproduction in part or whole without the written permission of Focal Point, LLC is prohibited.