

ID+ 2" Cylinder - Surface Mount

FLCY2



FOCAL POINT®

BEFORE YOU BEGIN

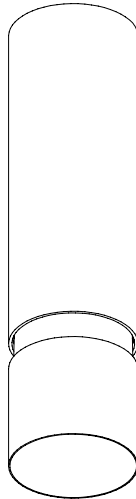
- Luminaires must be installed by a qualified electrician (check with local and national codes for proper installation).
- To prevent electrical shock, disconnect electrical supply before installation or servicing.
- Contractor is responsible for adequately reinforcing walls and/or ceilings to support fixture weight.
- Focal Point, LLC accepts no responsibility for inadequately reinforced walls and/or ceilings.
- The information contained in this drawing is the sole property of Focal Point, LLC. Any reproduction in part or whole without the written permission of Focal Point, LLC is prohibited.

INSTRUCTION KEY

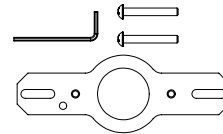
- ATTENTION**
- SEE ADDITIONAL INSTRUCTIONS**
- POWER OFF**
- POWER ON**

COMPONENT KEY

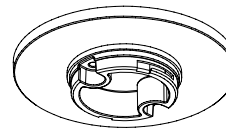
SURFACE MOUNT CYLINDER



SHALLOW CANOPY

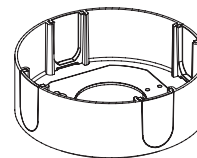


HARDWARE KIT
A58700-01

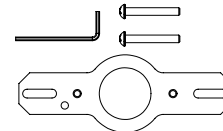


CANOPY

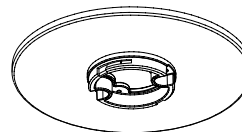
DECORATIVE SHALLOW CANOPY



DECORATIVE
J-BOX COVER



HARDWARE KIT
A58700-01



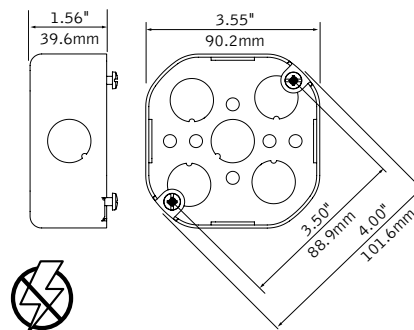
CANOPY



MOUNTING
SCREWS
#72029

4" OCTAGONAL J-BOX REQUIRED

J-BOX BY OTHERS

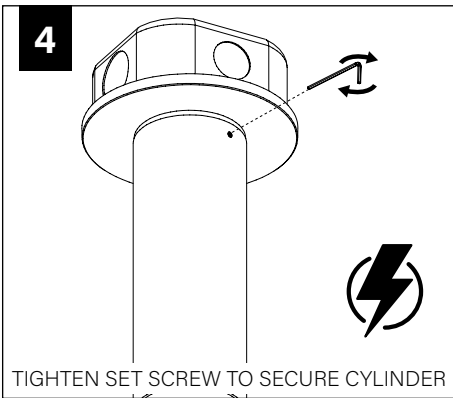
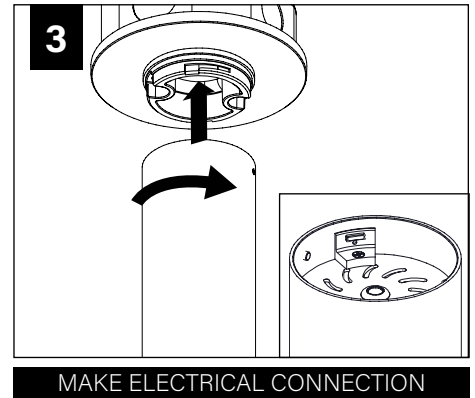
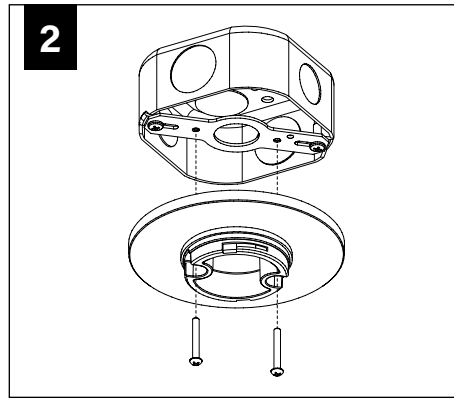
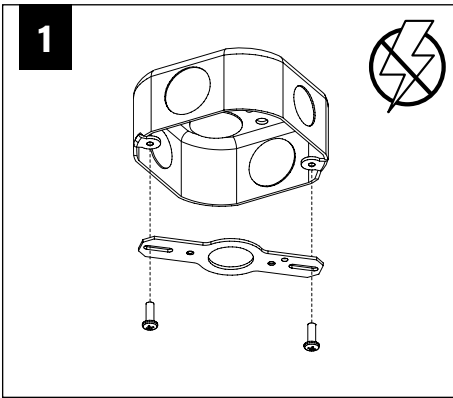


EMERGENCY

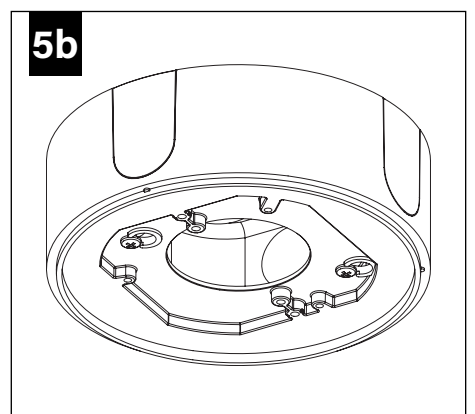
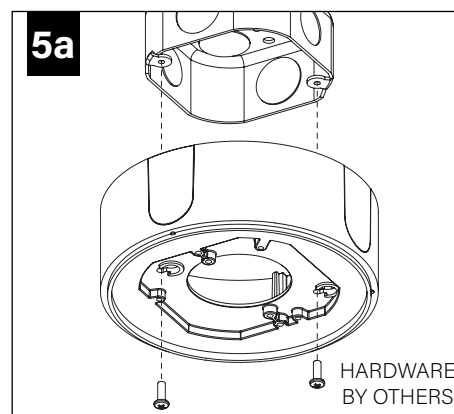
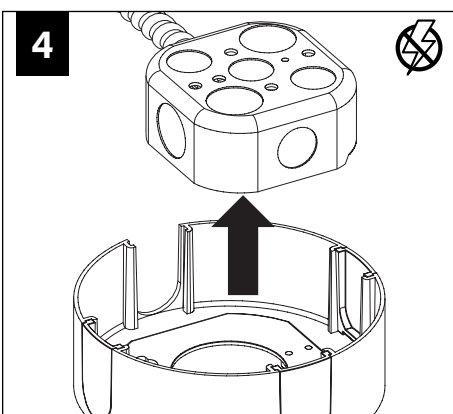
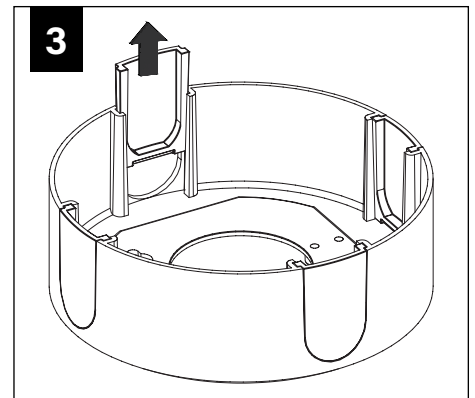
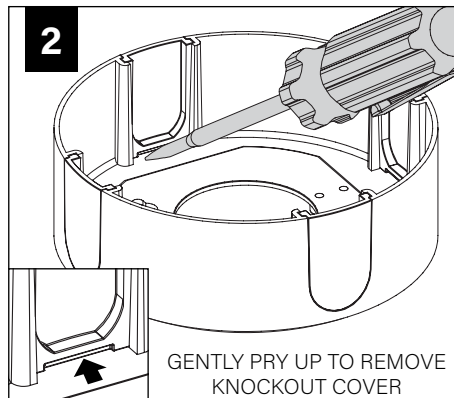
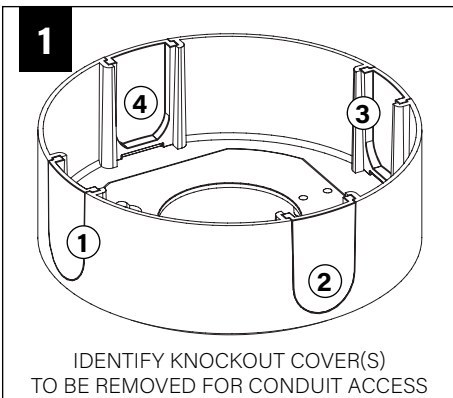


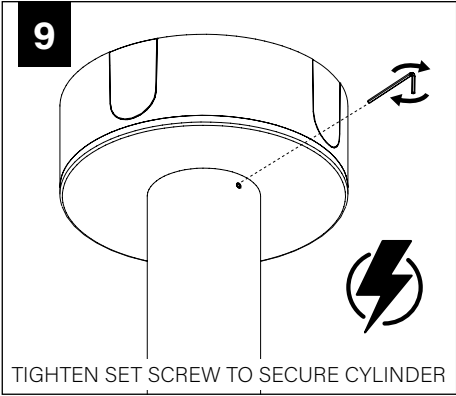
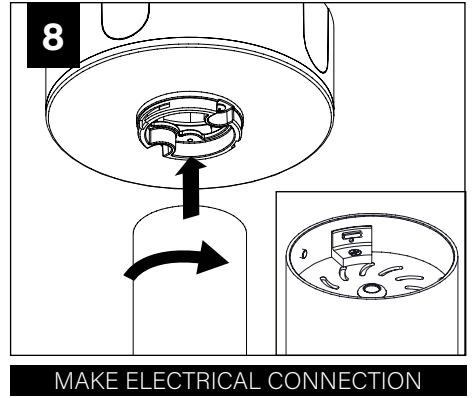
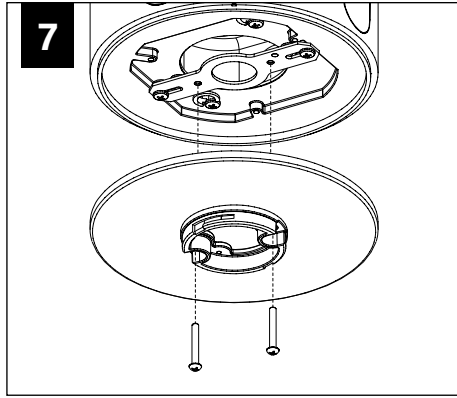
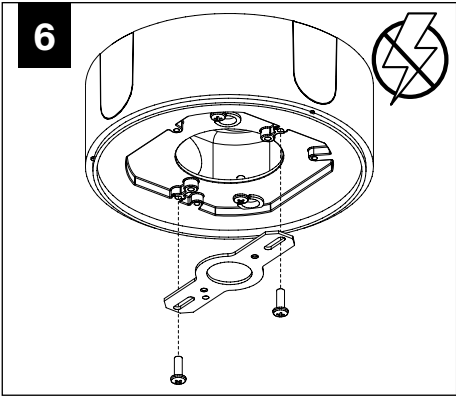
PRIOR TO LUMINAIRE INSTALLATION,
SEE **PAGE 5** FOR EMERGENCY
INSTALLATION INSTRUCTIONS.

SHALLOW CANOPY

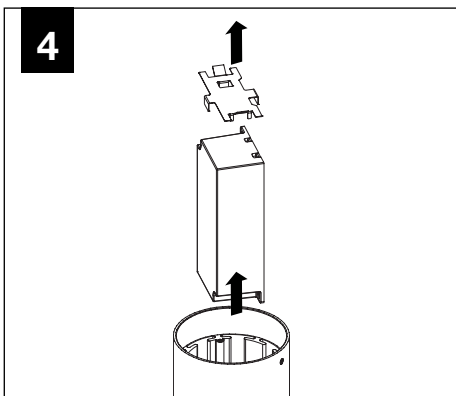
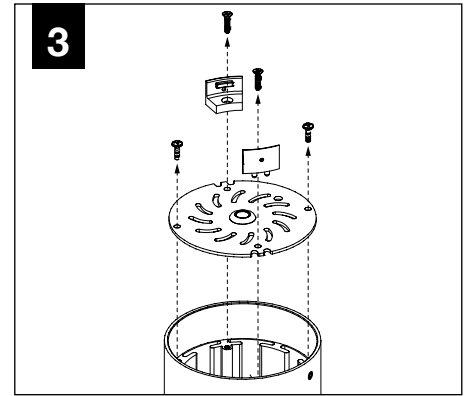
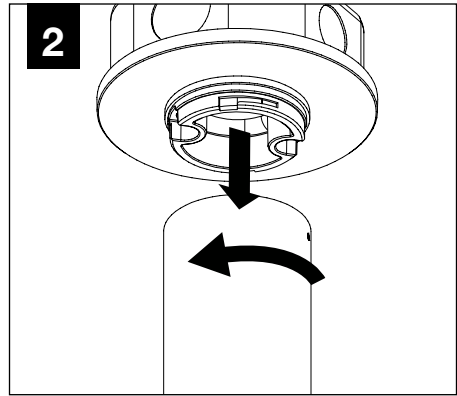
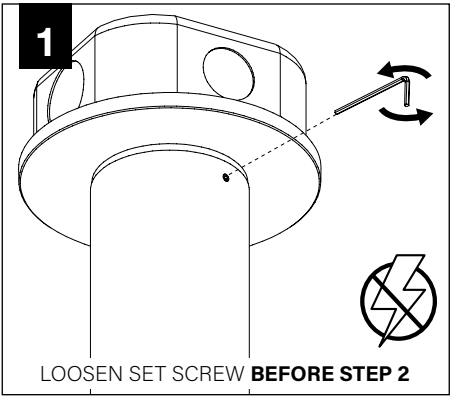


DECORATIVE SHALLOW CANOPY





FLCY2 - DRIVER SERVICE

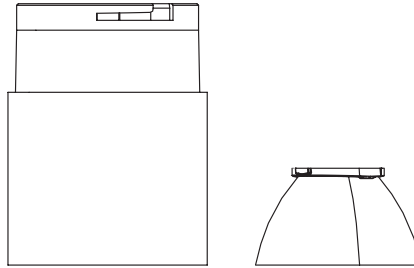


FLCY2 - OPTIC SERVICE

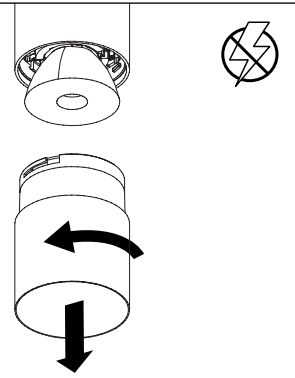
I

DISTRIBUTION KITS INCLUDE AN OPTIC AND REFLECTOR ASSEMBLY.

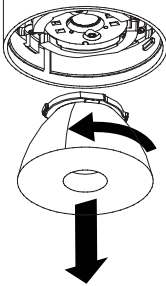
BOTH ITEMS MUST BE USED TO ACHIEVE SPECIFIED DISTRIBUTION.



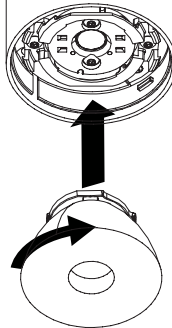
1



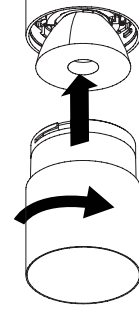
2



3

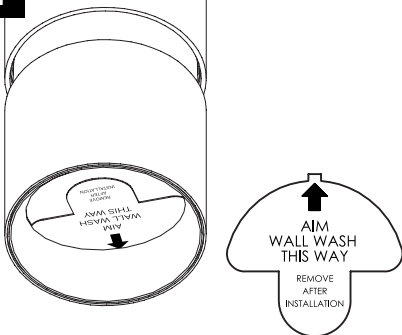


4



FLCY2 - WALL WASH AIMING

1

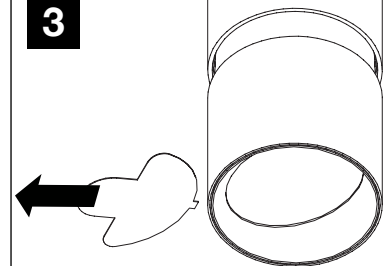


2



ROTATE INNER BEZEL TO ADJUST

3



REMOVE AIM ASSIST INSERT

EMERGENCY

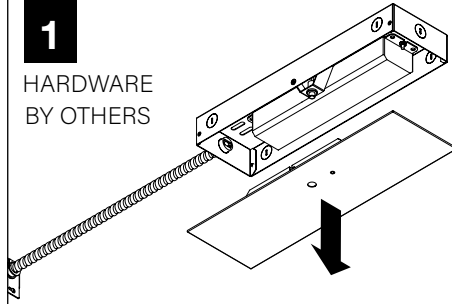


SEE BATTERY MANUFACTURER
INSTRUCTIONS

**EMERGENCY MAXIMUM MOUNTING HEIGHT:
2" CYLINDERS - 14.5'**

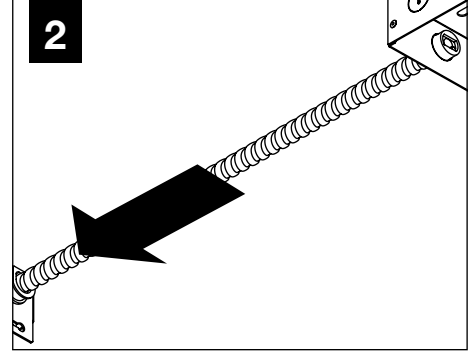
1

HARDWARE
BY OTHERS



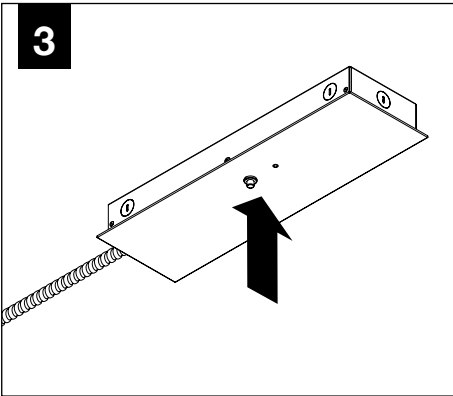
SECURE TO STRUCTURE ABOVE

2

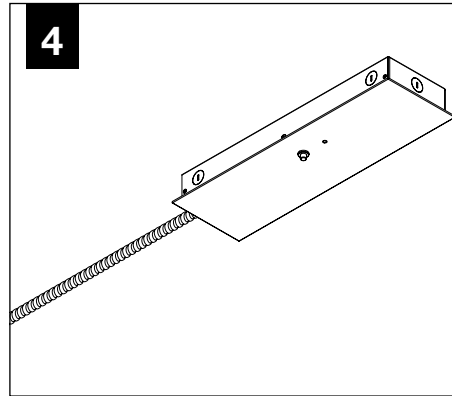


MAKE ELECTRICAL CONNECTION

3



4



PROCEED TO
LUMINAIRE INSTALLATION
PAGE 2