

ID+ 3.5" Pure Cylinder - surface Mount

FLCY3N-RD-4H | FLCY3N-RD-7H - Power Canopy



FOCAL POINT®

BEFORE YOU BEGIN

- Luminaires must be installed by a qualified electrician (check with local and national codes for proper installation).
- To prevent electrical shock, disconnect electrical supply before installation or servicing.
- Contractor is responsible for adequately reinforcing walls and/or ceilings to support fixture weight.
- Focal Point, LLC accepts no responsibility for inadequately reinforced walls and/or ceilings.
- The information contained in this drawing is the sole property of Focal Point, LLC. Any reproduction in part or whole without the written permission of Focal Point, LLC is prohibited.

INSTRUCTION KEY

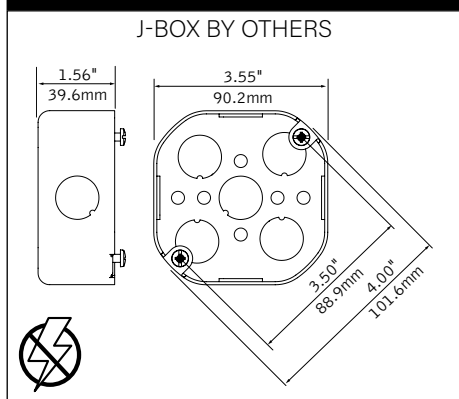
- ATTENTION
- SEE ADDITIONAL INSTRUCTIONS
- POWER OFF
- POWER ON

COMPONENT KEY

| | POWER CANOPY | | DECORATIVE POWER CANOPY | |
|-------------------|--------------|-------------------------|-------------------------|-------------------------|
| | | J-BOX MOUNTING BRACKET | | DECORATIVE J-BOX COVER |
| 7" HOUSING HEIGHT | | DRIVER CARRIAGE | | J-BOX MOUNTING BRACKET |
| | | CANOPY MOUNTING BRACKET | | DRIVER CARRIAGE |
| 4" HOUSING HEIGHT | | POWER CANOPY | | CANOPY MOUNTING BRACKET |
| | | MOUNTING BRACKET | | POWER CANOPY |
| | | | | MOUNTING BRACKET |
| | | | | MOUNTING SCREWS #72029 |

LUMINAIRE MUST BE INSTALLED PRIOR TO DRYWALL CEILING. ALL GRID LUMINAIRE MUST BE SECURED TO STRUCTURE ABOVE.

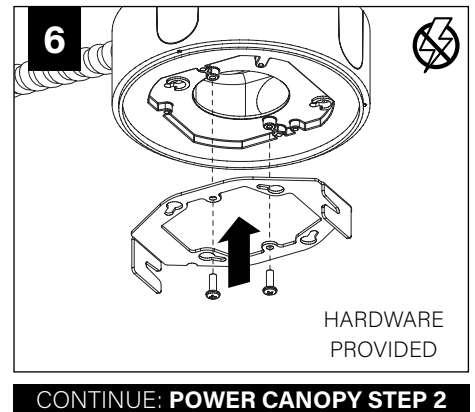
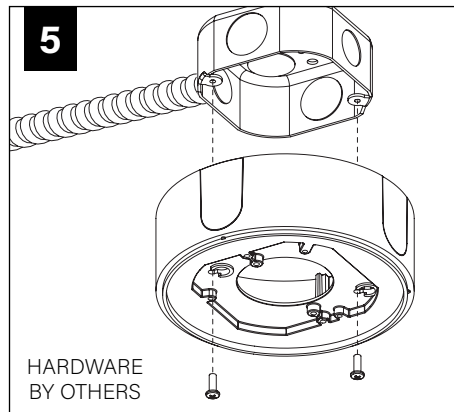
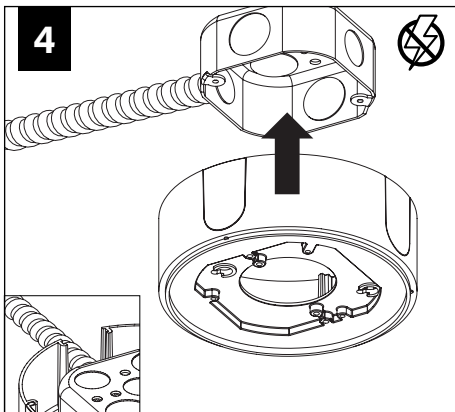
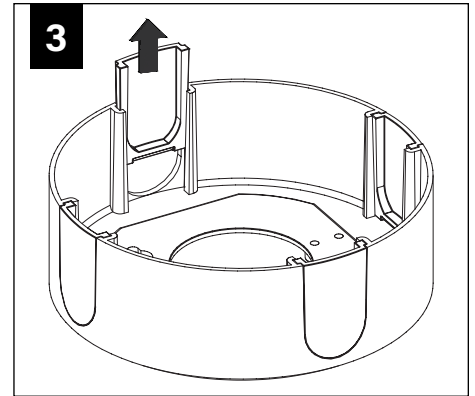
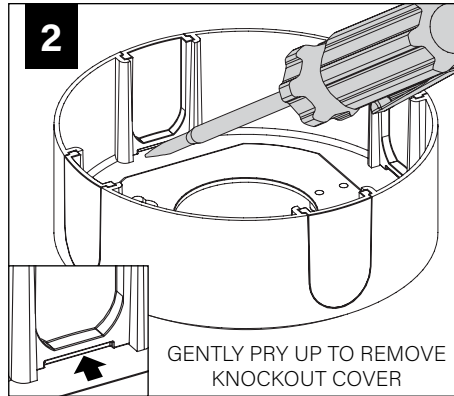
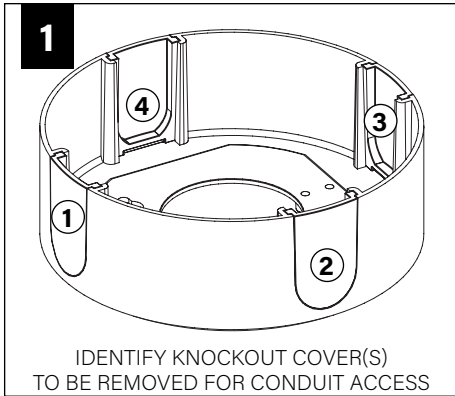
4" OCTAGONAL J-BOX REQUIRED



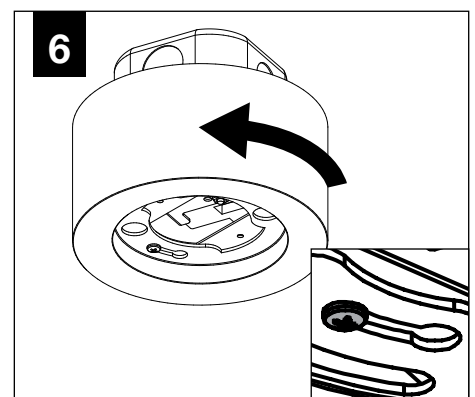
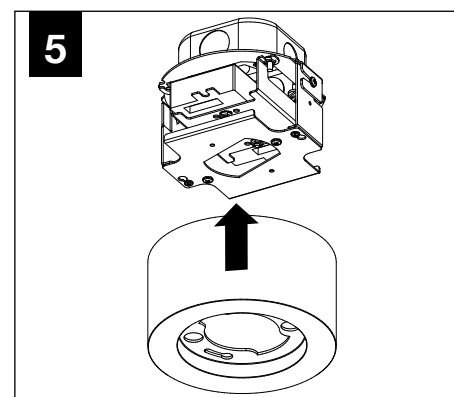
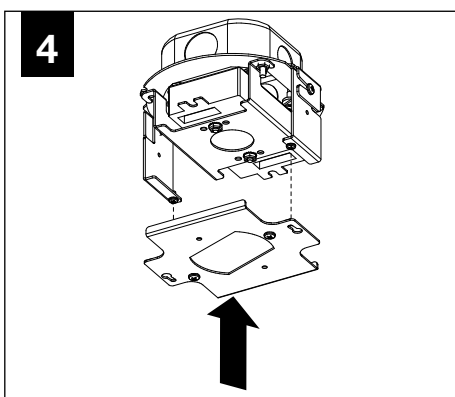
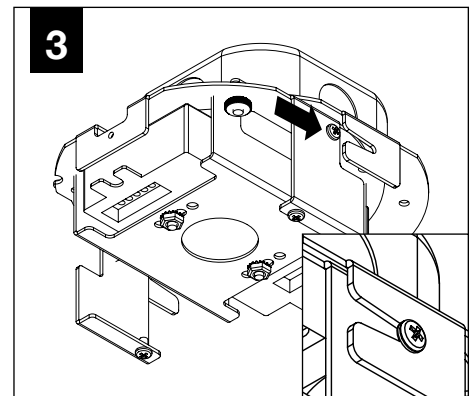
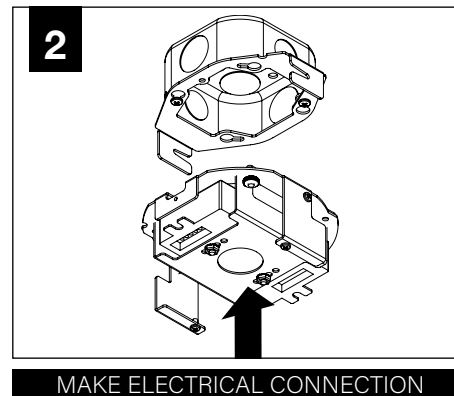
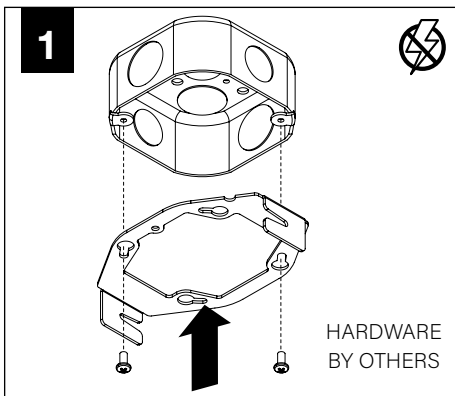
EMERGENCY

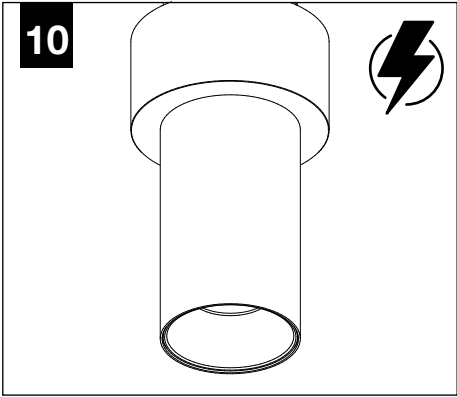
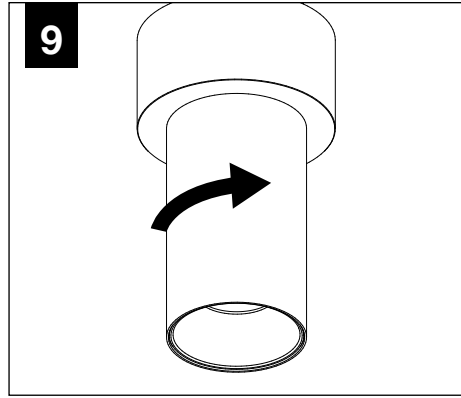
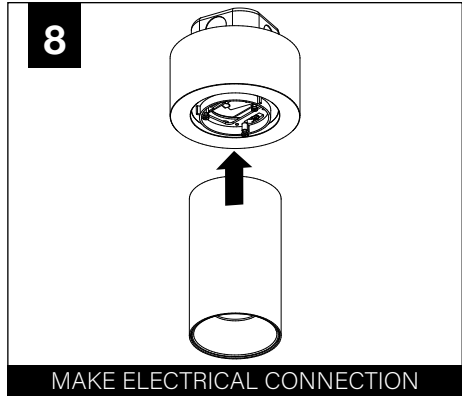
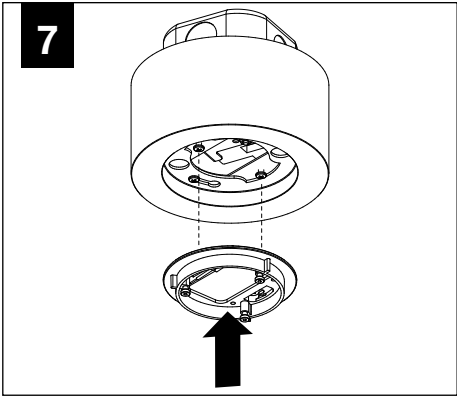
PRIOR TO LUMINAIRE INSTALLATION, SEE **PAGE 5** FOR EMERGENCY INSTALLATION INSTRUCTIONS.

DECORATIVE POWER CANOPY

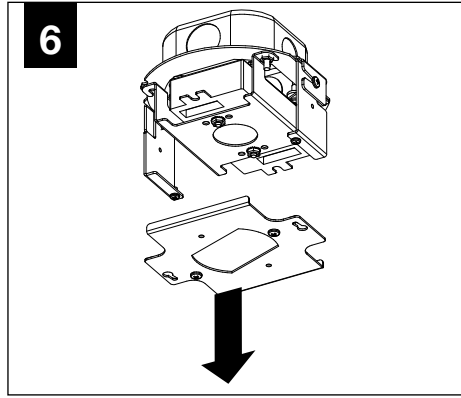
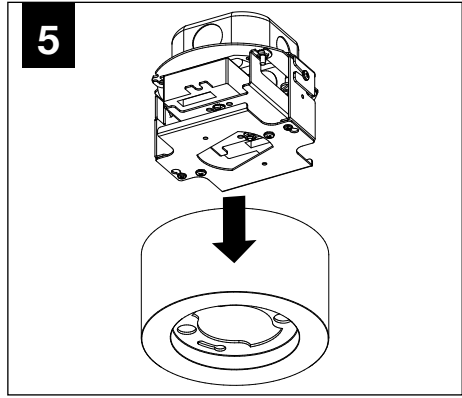
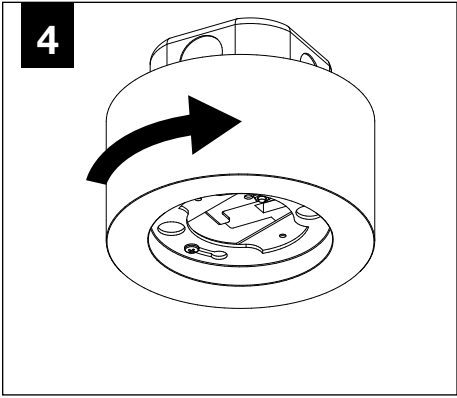
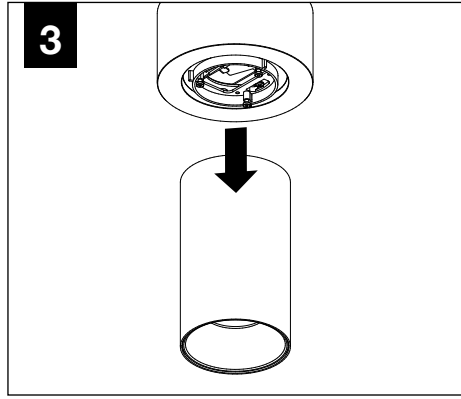
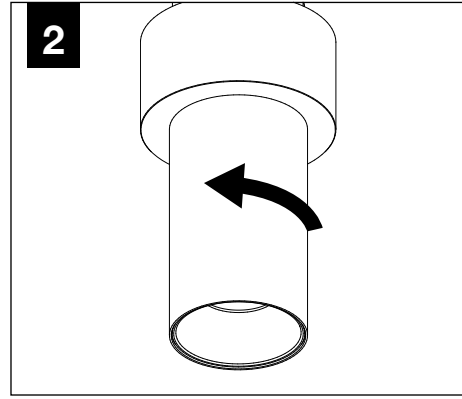
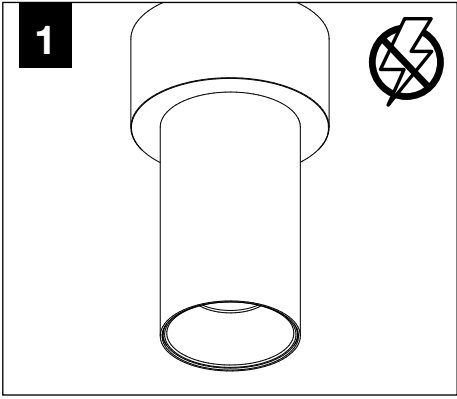


POWER CANOPY

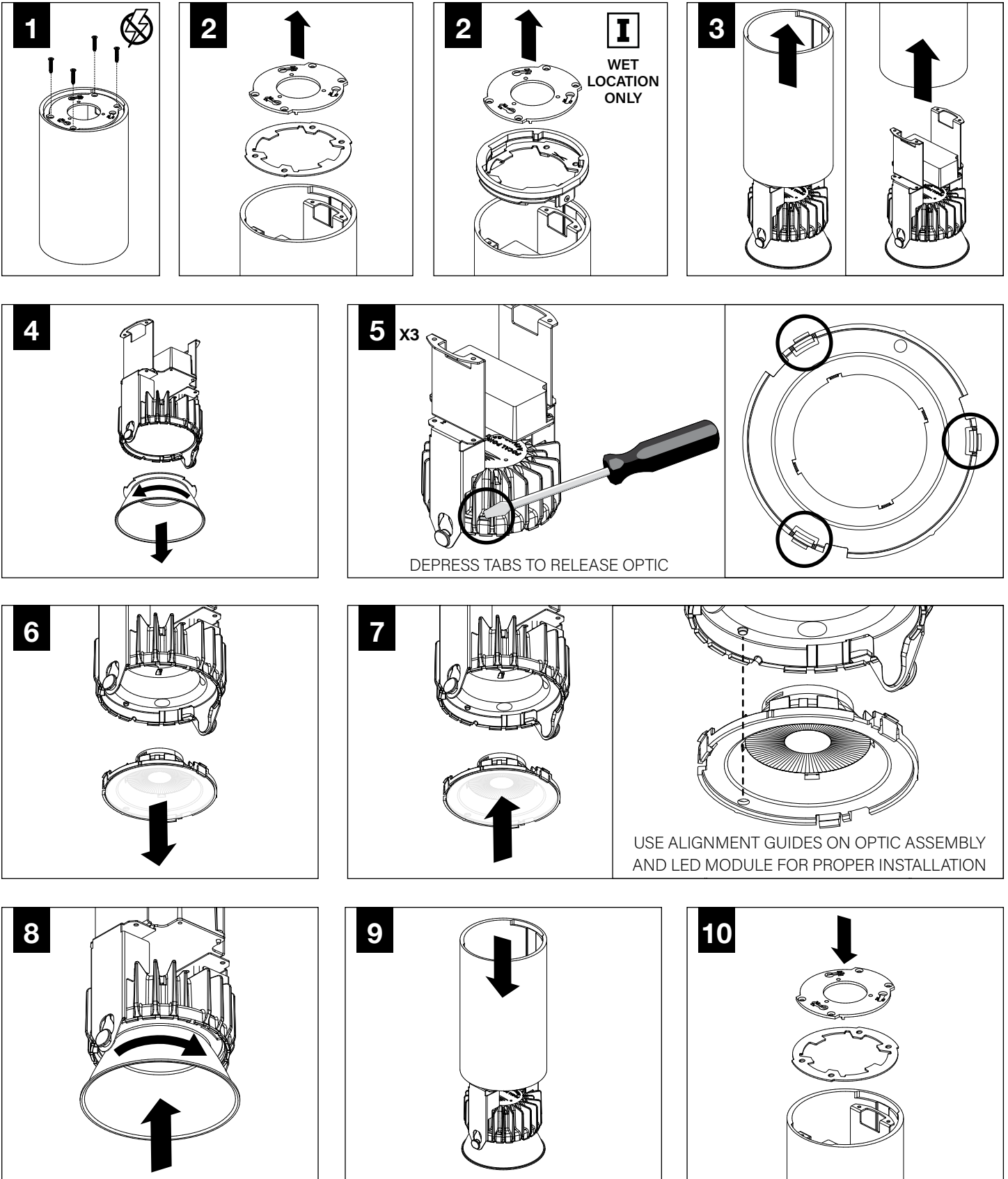


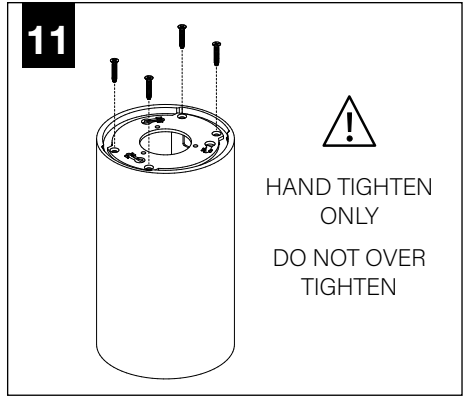
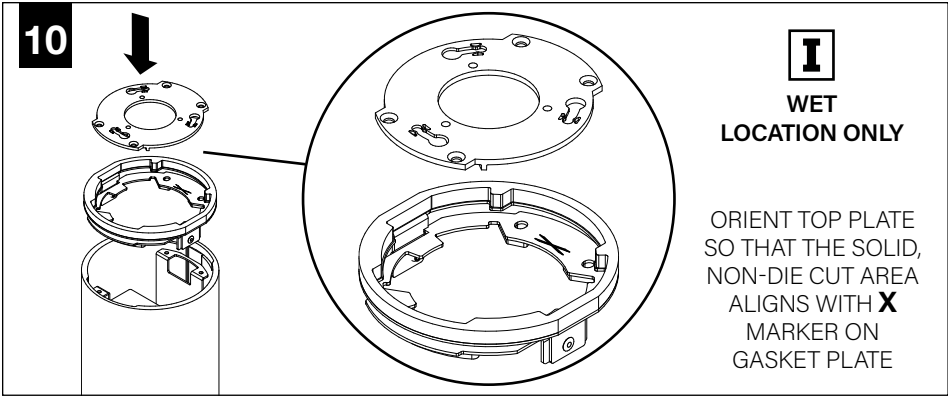


DRIVER SERVICE



OPTIC SERVICE





EMERGENCY

