

# Obscura™ linear hard ceiling

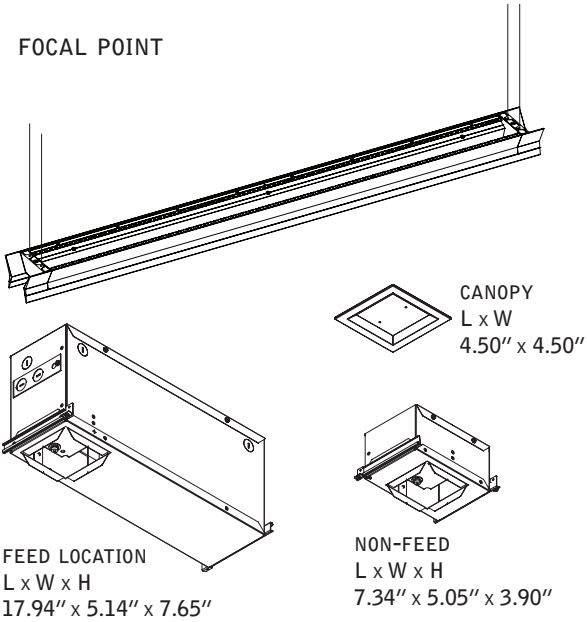
FOSS-HS



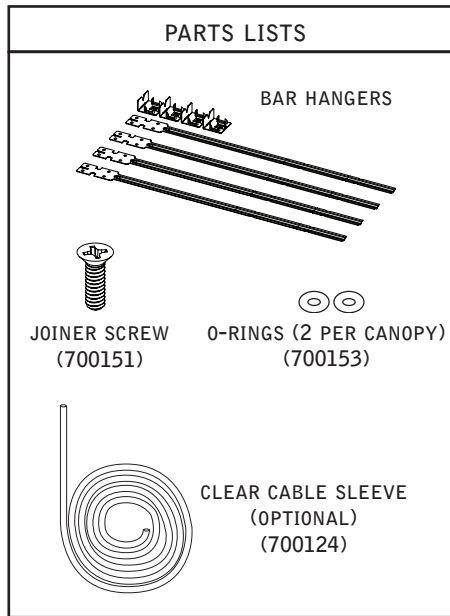
FOCAL POINT™

**!** DO NOT POWER LUMINAIRE UNTIL INSTALLATION IS COMPLETE. SUSPENSION CABLES ARE POWERED. DO NOT ALLOW CABLES TO COME IN CONTACT WITH CONDUCTIVE MATERIALS. **!**

FOCAL POINT



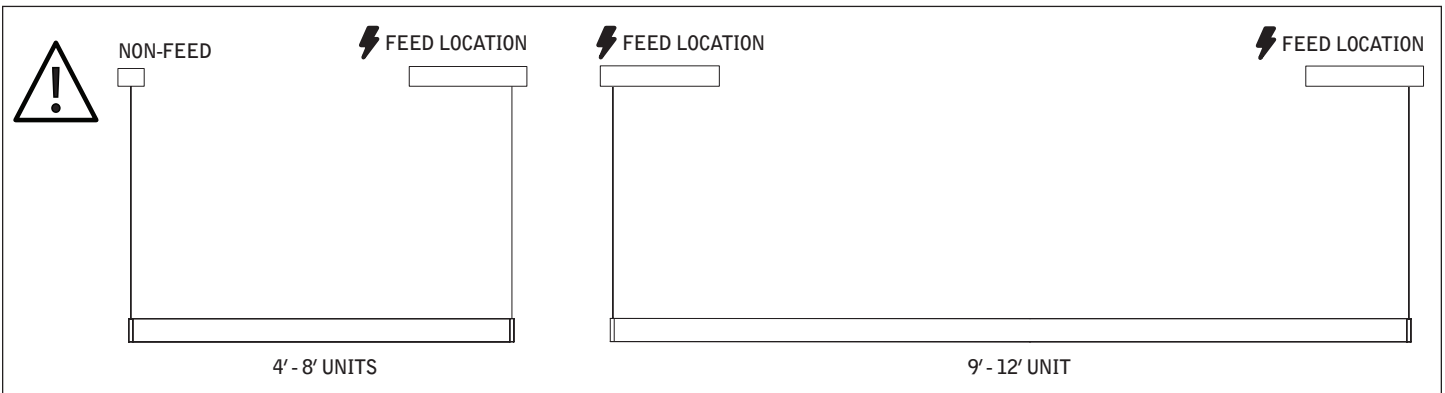
## PARTS LISTS



KEY

- POWER OFF
- POWER ON
- ATTENTION
- SEE ADDITIONAL INSTRUCTIONS

## FEED LOCATIONS



## DRYWALL/HARD SURFACE INSTALLATION

**!**

DO NOT TRIM EXCESS SUSPENSION CABLE UNTIL LUMINAIRE IS FULLY ADJUSTED.

CABLES ARE NOT FIELD REPLACABLE.

**1**

3.5"

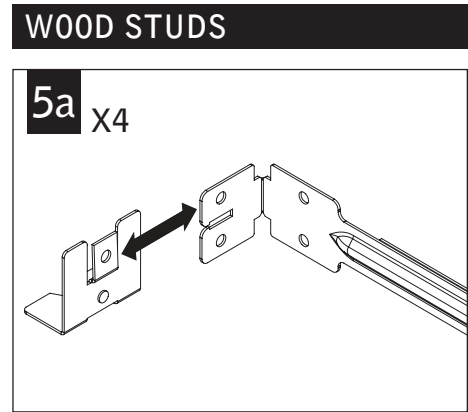
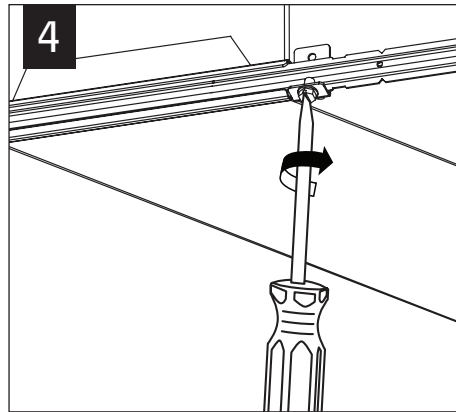
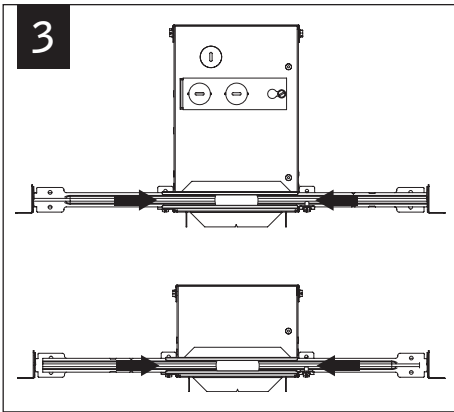
3.5"

CUTOUT

**2**

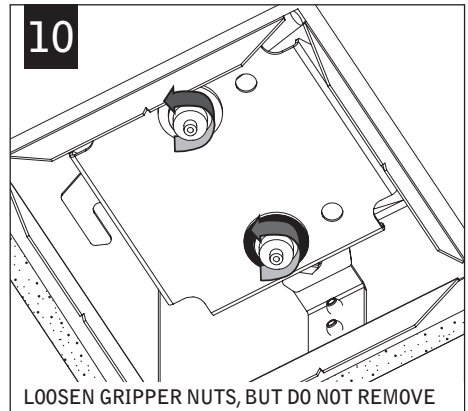
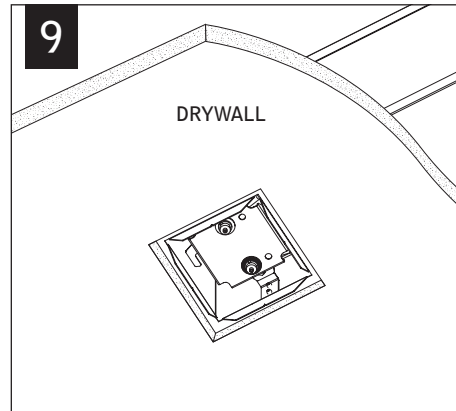
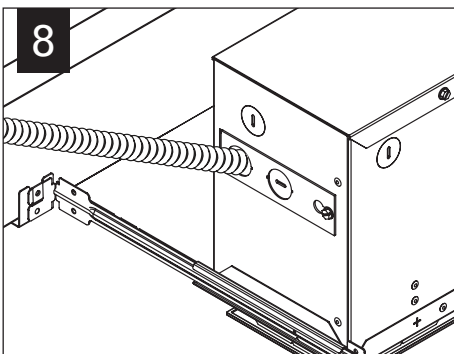
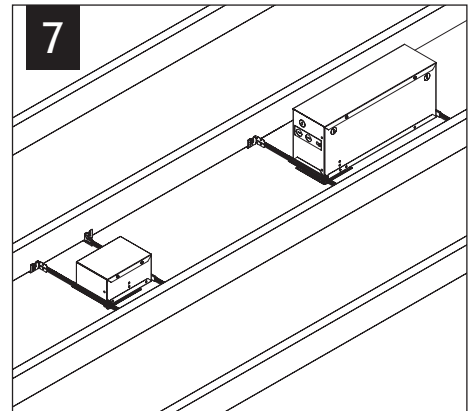
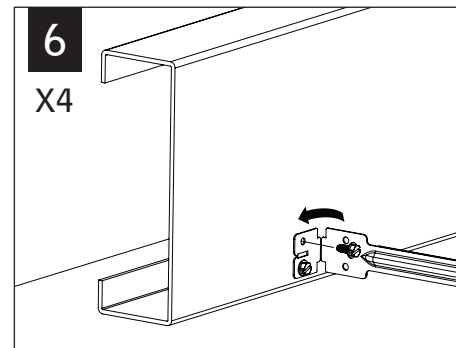
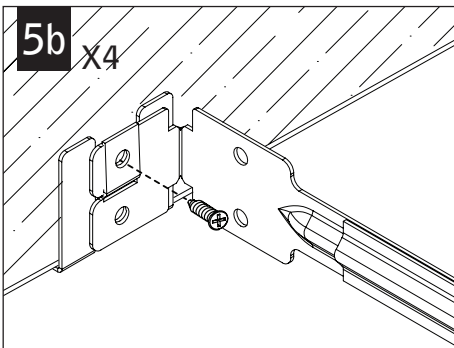
ROTATE CABLE GRIPPER CARRIAGE IF NECESSARY

Luminaires must be installed by a qualified electrician (check with local and national codes for proper installation). To prevent electrical shock, disconnect electrical supply before installation or servicing.

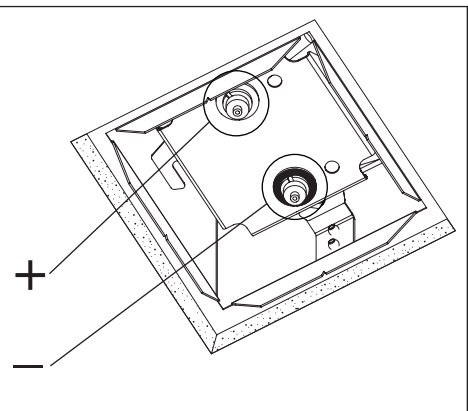
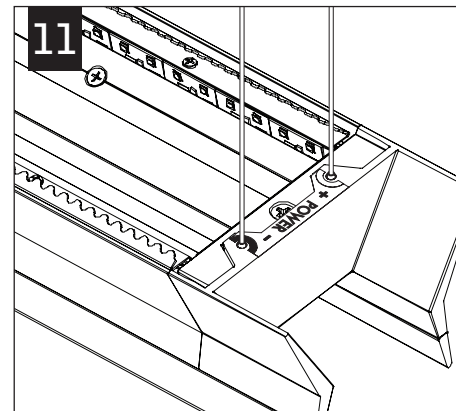
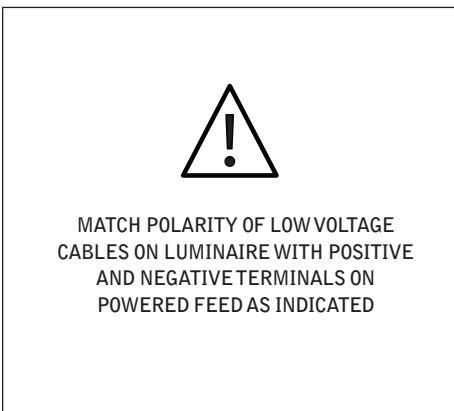


**WOOD STUDS**

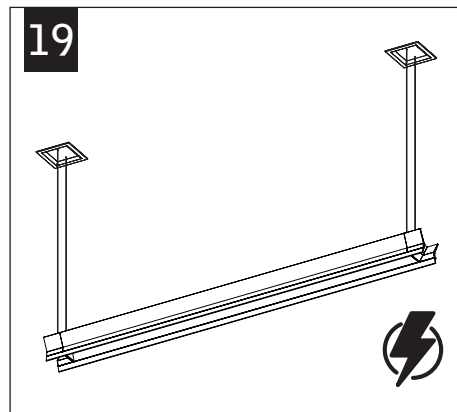
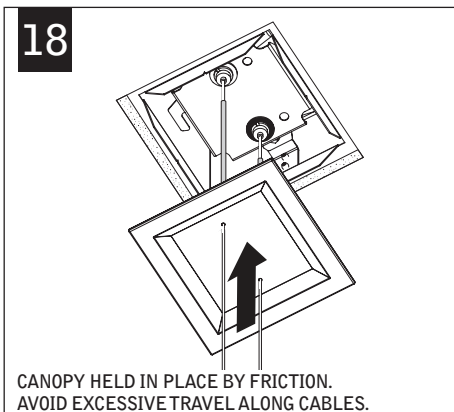
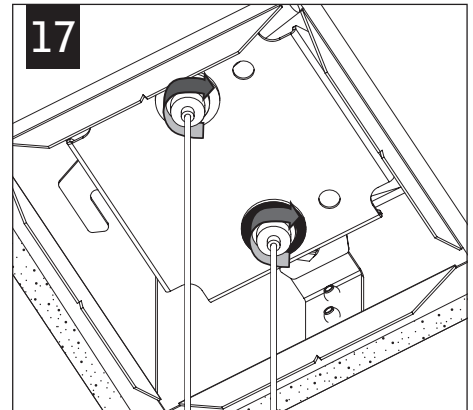
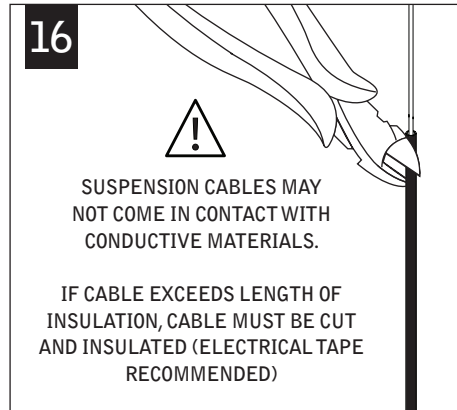
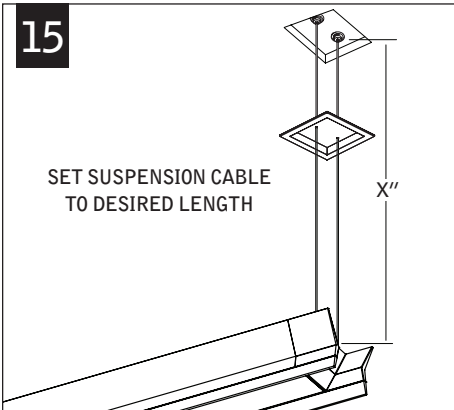
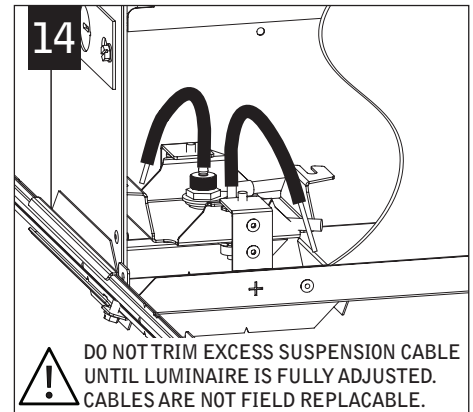
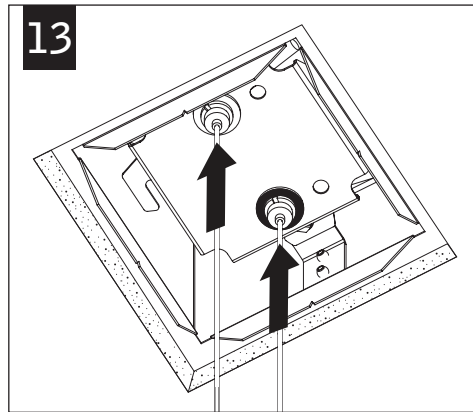
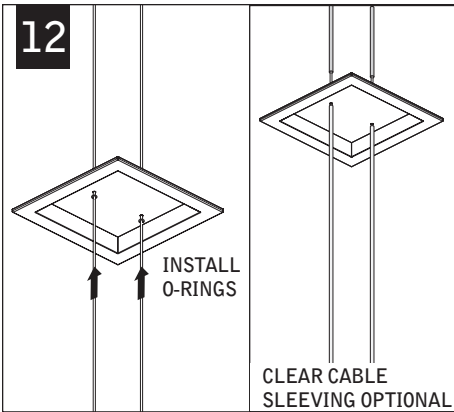
**METAL STUDS**



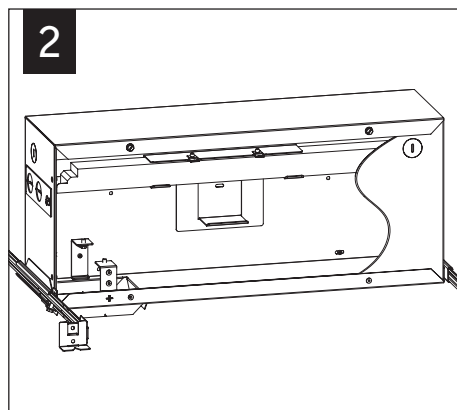
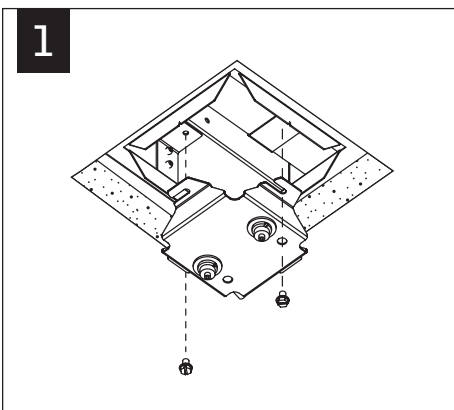
**MAKE ELECTRICAL CONNECTIONS**



Luminaires must be installed by a qualified electrician (check with local and national codes for proper installation).  
To prevent electrical shock, disconnect electrical supply before installation or servicing.



## DRIVER SERVICE



Luminaires must be installed by a qualified electrician (check with local and national codes for proper installation). To prevent electrical shock, disconnect electrical supply before installation or servicing.