

Obscura™ linear open ceiling

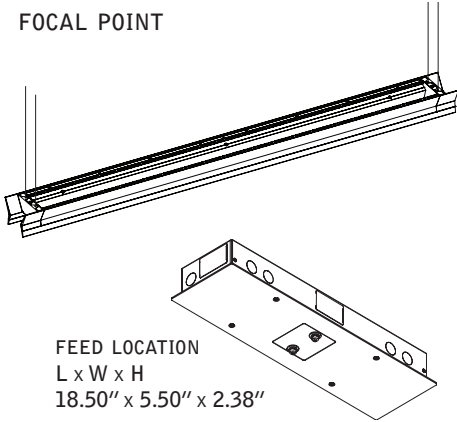
FOSS-0C



FOCAL POINT™

! DO NOT POWER LUMINAIRE UNTIL INSTALLATION IS COMPLETE. SUSPENSION CABLES ARE POWERED. DO NOT ALLOW CABLES TO COME IN CONTACT WITH CONDUCTIVE MATERIALS. !

FOCAL POINT



FEED LOCATION
L x W x H
18.50" x 5.50" x 2.38"

NON-FEED
L x W x H
5.42" x 4.02" x 2.32"

PARTS LISTS

MOUNTING BRACKET ASSEMBLY (17999)
(71025)
(71904)
(71024)

JOINER SCREW (700151)

CLEAR CABLE SLEEVE (OPTIONAL) (700124)

KEY



POWER OFF



POWER ON

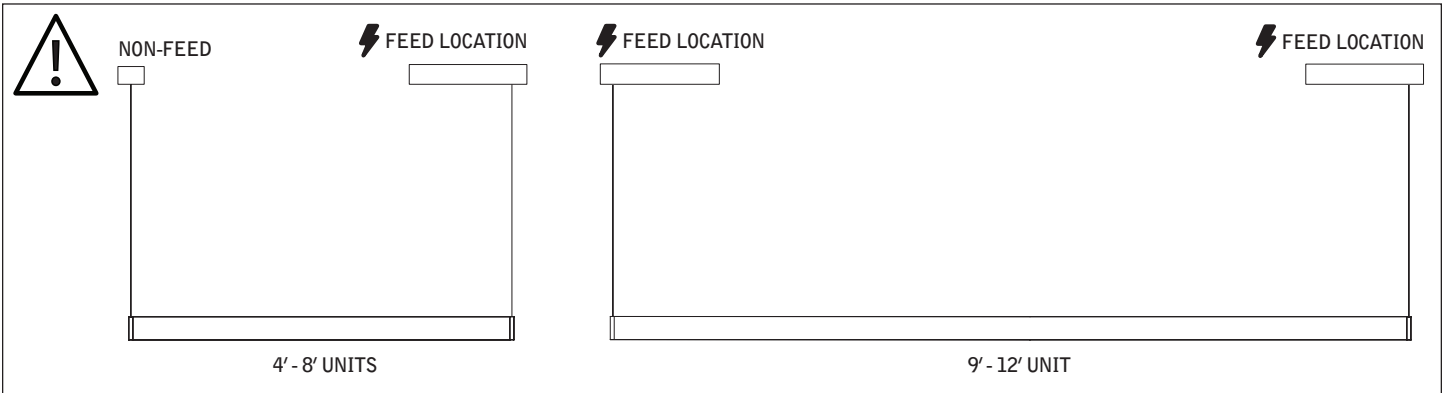


ATTENTION



SEE ADDITIONAL INSTRUCTIONS

FEED LOCATIONS

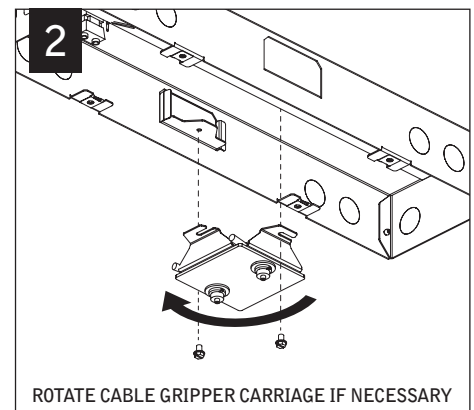
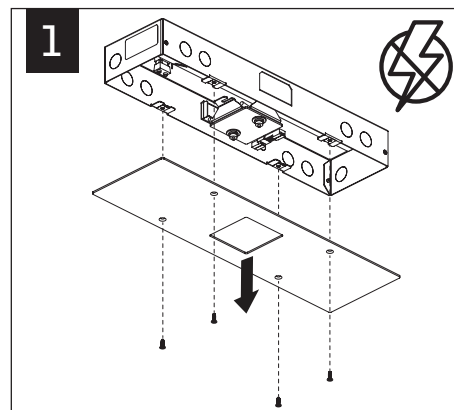


OPEN CEILING INSTALLATION

!

DO NOT TRIM EXCESS SUSPENSION CABLE UNTIL LUMINAIRE IS FULLY ADJUSTED.

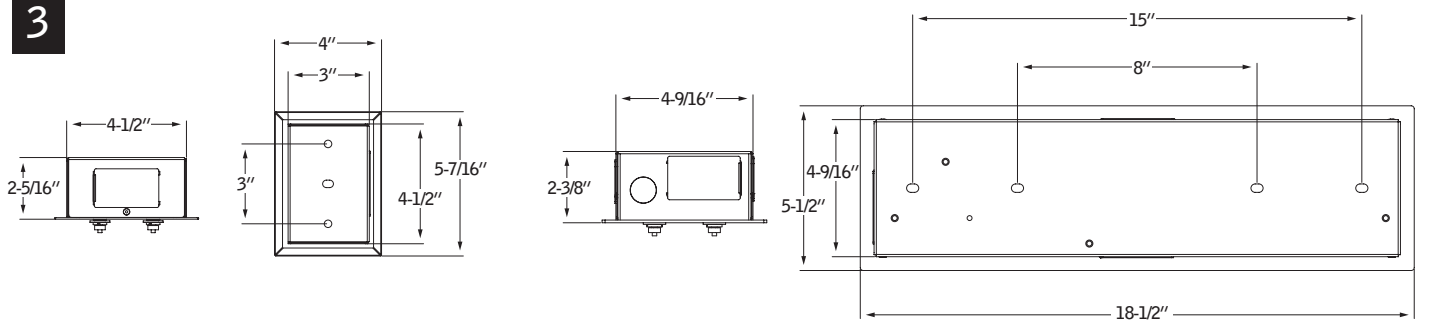
CABLES ARE NOT FIELD REPLACABLE.



Luminaires must be installed by a qualified electrician (check with local and national codes for proper installation).
To prevent electrical shock, disconnect electrical supply before installation or servicing.

SURFACE MOUNT

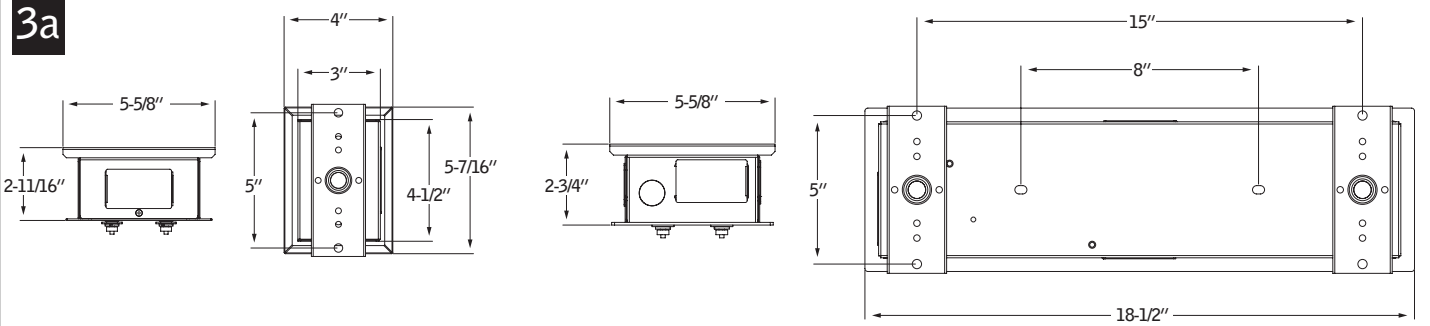
3



SECURE NON-FEED AND FEED LOCATION BOXES TO STRUCTURE ABOVE. MOUNTING HARDWARE BY OTHERS

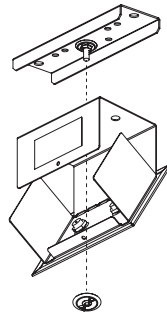
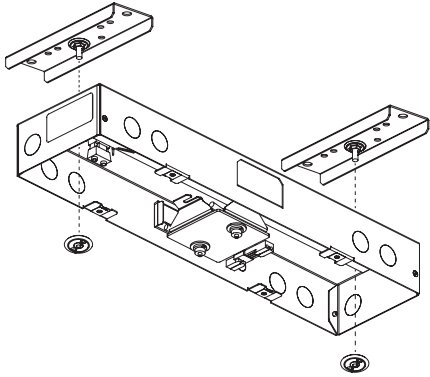
ACCESSIBLE CEILING

3a

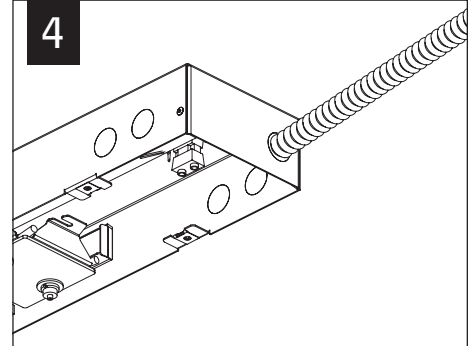


SECURE NON-FEED AND FEED LOCATION BOXES AND MOUNTING BRACKETS TO STRUCTURE ABOVE. MOUNTING HARDWARE BY OTHERS

3b

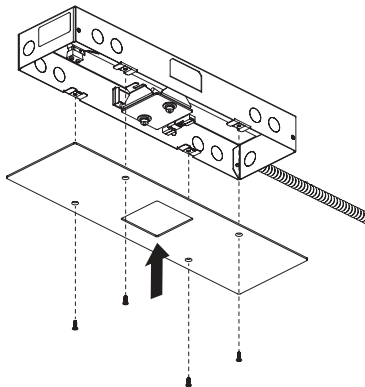


4

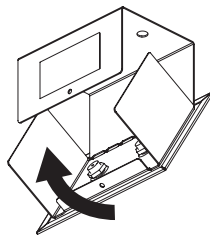


MAKE ELECTRICAL CONNECTIONS

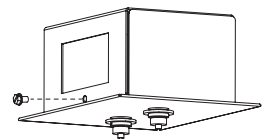
5



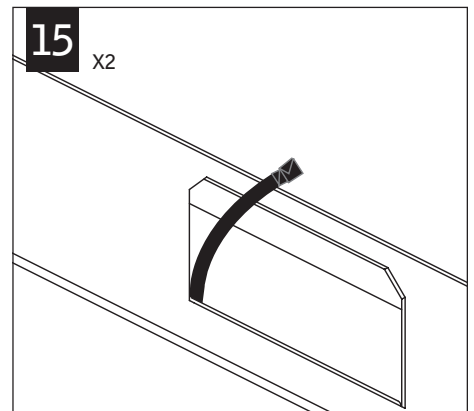
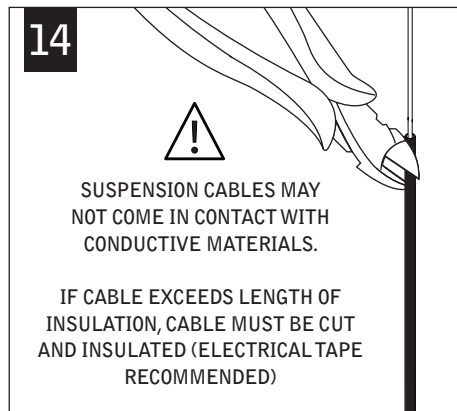
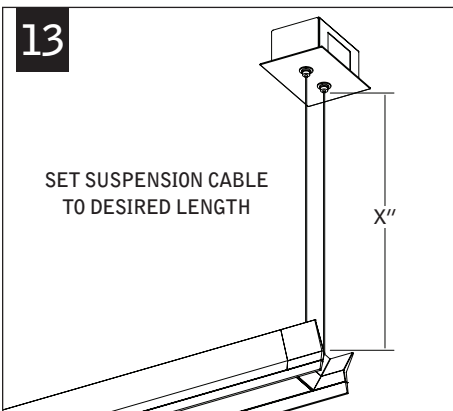
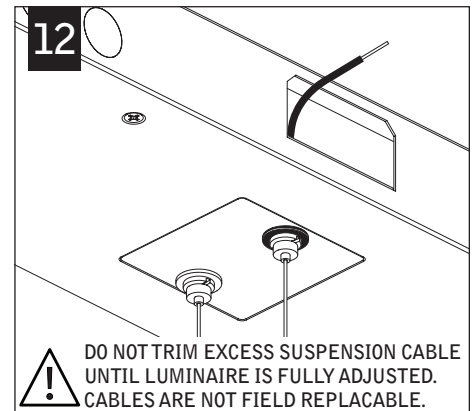
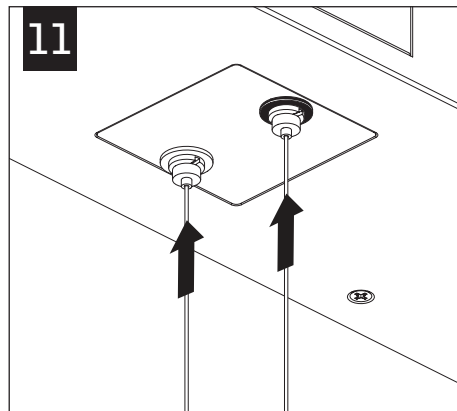
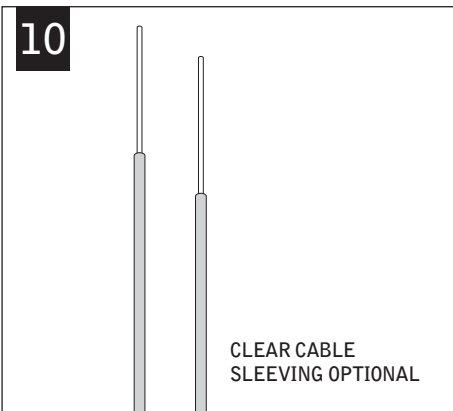
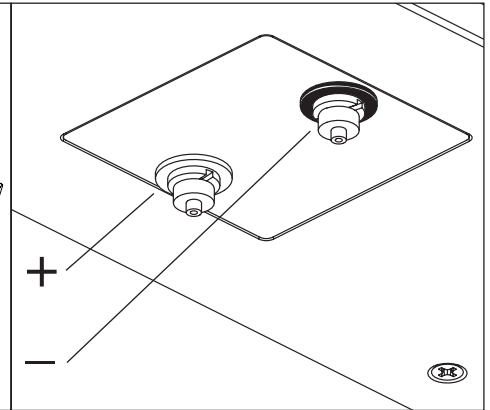
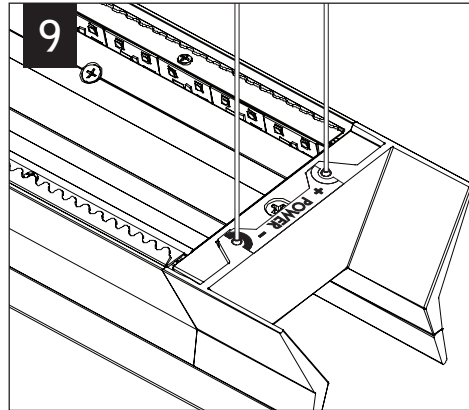
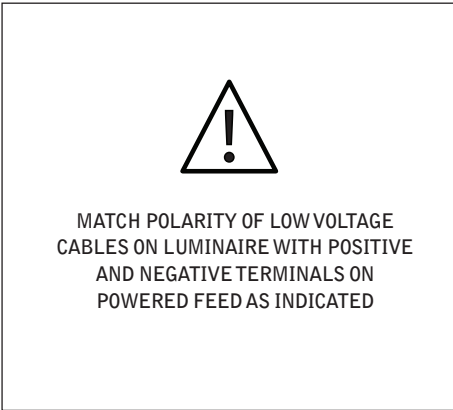
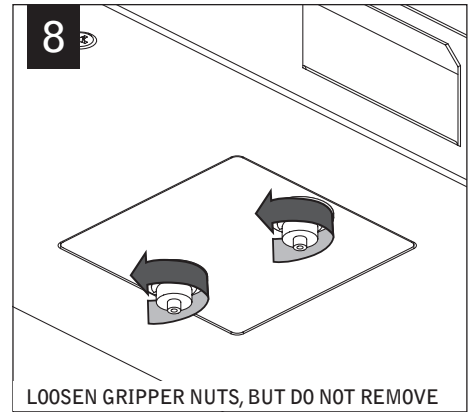
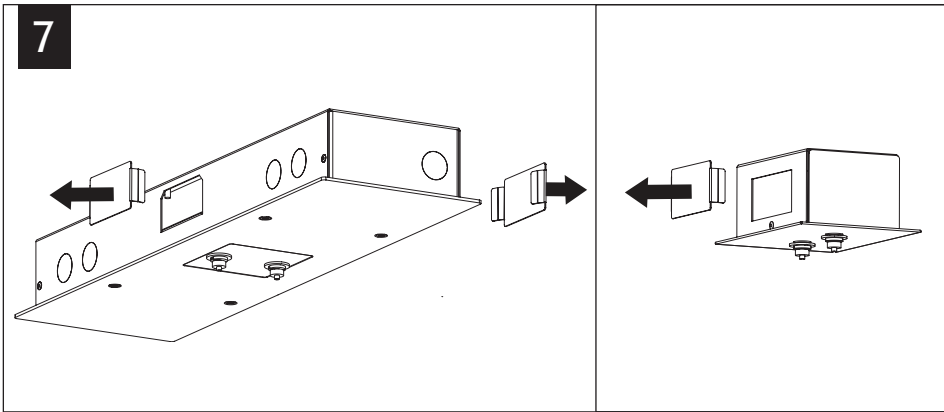
6a



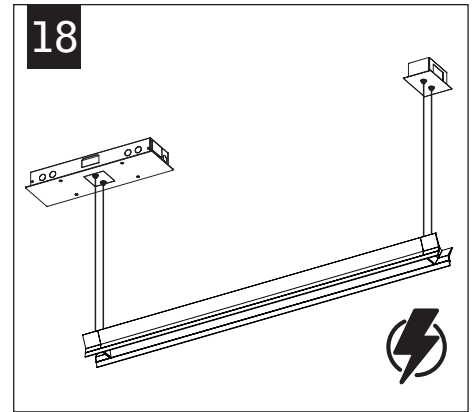
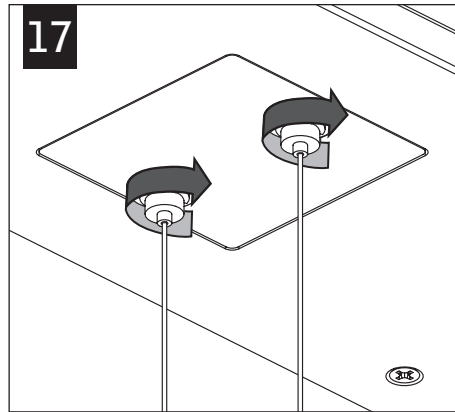
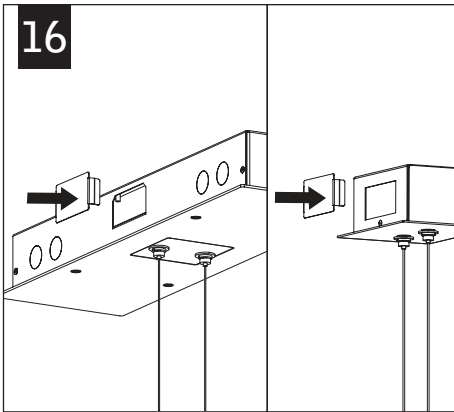
6b



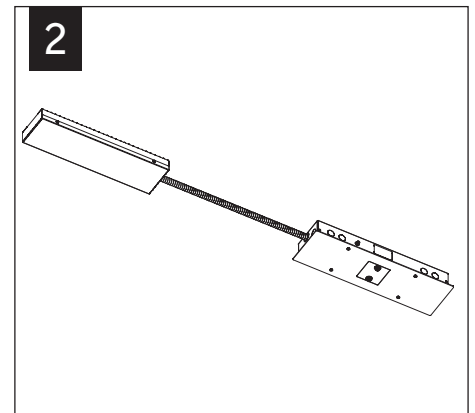
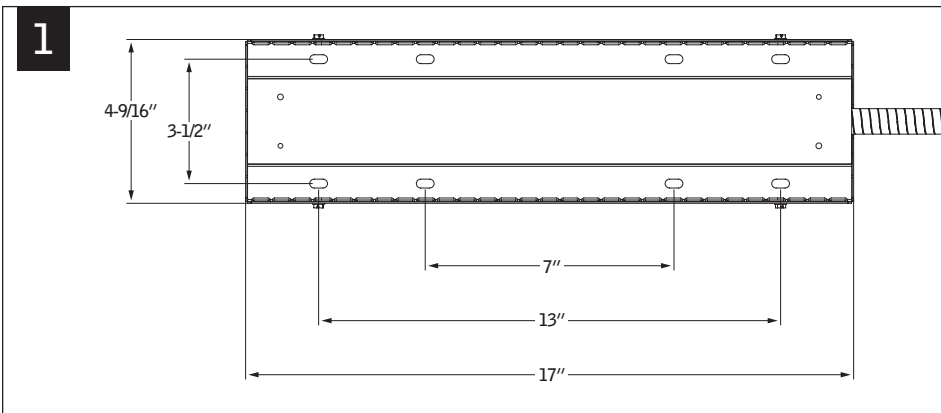
Luminaires must be installed by a qualified electrician (check with local and national codes for proper installation).
To prevent electrical shock, disconnect electrical supply before installation or servicing.



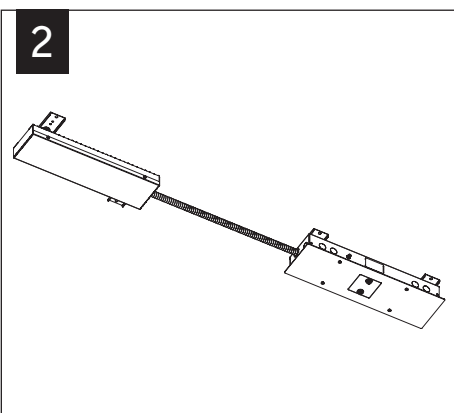
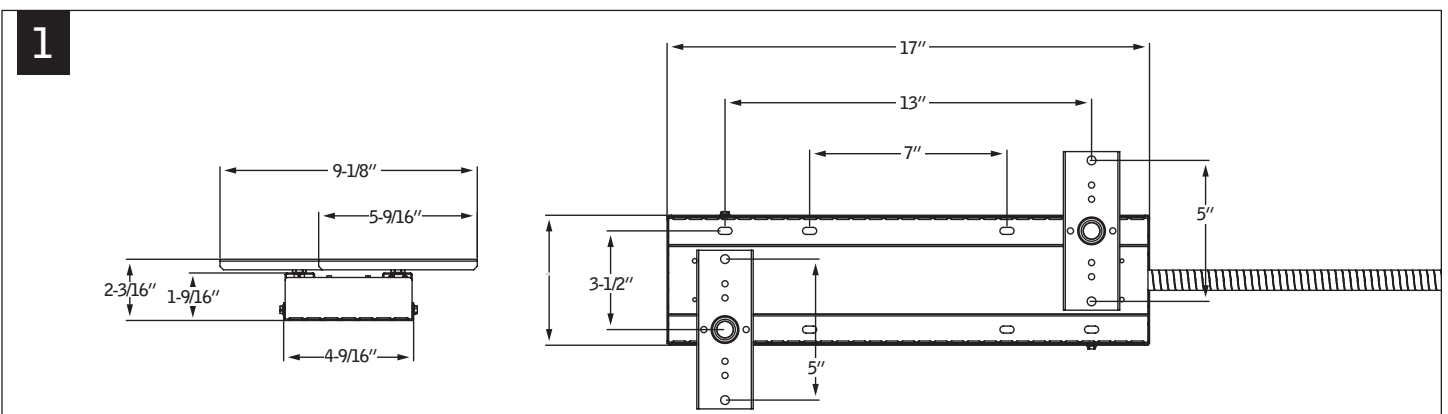
Luminaires must be installed by a qualified electrician (check with local and national codes for proper installation).
To prevent electrical shock, disconnect electrical supply before installation or servicing.



EMERGENCY - SURFACE MOUNT



EMERGENCY - ACCESSIBLE CEILING



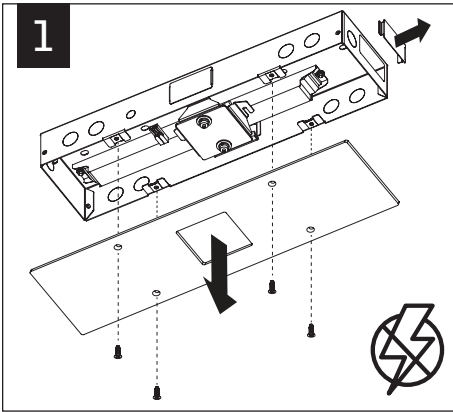
3

I

EMERGENCY MAXIMUM MOUNTING HEIGHT:
8.83'

Luminaires must be installed by a qualified electrician (check with local and national codes for proper installation).
To prevent electrical shock, disconnect electrical supply before installation or servicing.

DRIVER SERVICE



Contractor is responsible for adequately reinforcing walls and/or ceilings to support luminaire weight. Focal Point, LLC accepts no responsibility for inadequately reinforced walls and/or ceilings. The information contained in this drawing is the sole property of Focal Point, LLC. Any reproduction in part or whole without the written permission of Focal Point, LLC is prohibited.