

# Seem® 1 Quartet Surface Mount

FSM1FP-Q-SM



FOCAL POINT®



## BEFORE YOU BEGIN

- Configurations are run specific, please consult factory drawings before beginning installation.
- Luminaires must be installed by a qualified electrician (check with local and national codes for proper installation).
- To prevent electrical shock, disconnect electrical supply before installation or servicing.
- Contractor is responsible for adequately reinforcing walls and/or ceilings to support fixture weight.
- Focal Point, LLC accepts no responsibility for inadequately reinforced walls and/or ceilings.
- The information contained in this drawing is the sole property of Focal Point, LLC. Any reproduction in part or whole without the written permission of Focal Point, LLC is prohibited.

## INSTRUCTION KEY



ATTENTION



SEE ADDITIONAL INSTRUCTIONS



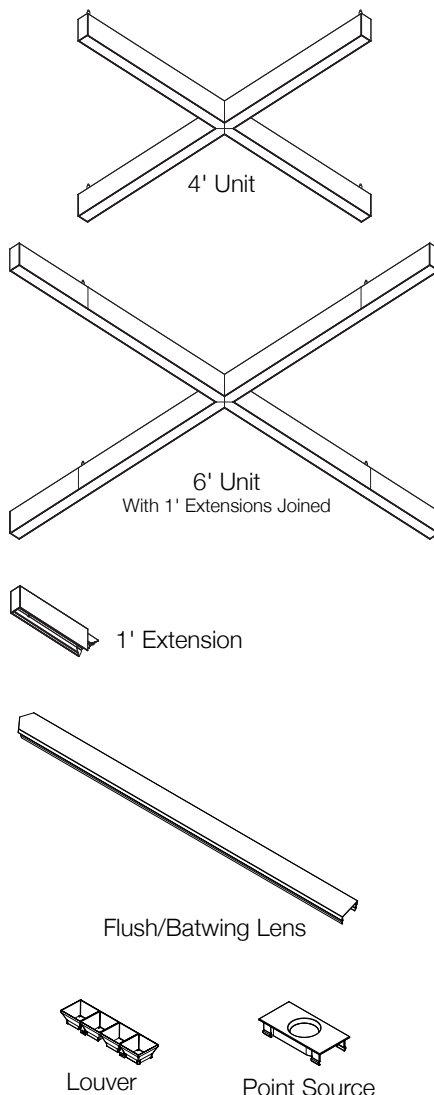
POWER OFF



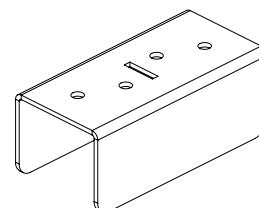
POWER ON

## COMPONENT KEY

### FOCAL POINT



### SHIPPED INSTALLED



Joiner Bracket  
(A37351-01)

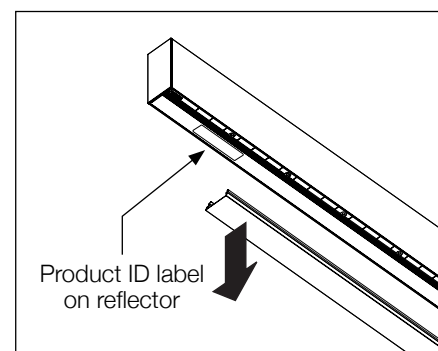


(700192)

### SHIPPED IN HARDWARE BAG



Mounting Screw  
(72007)

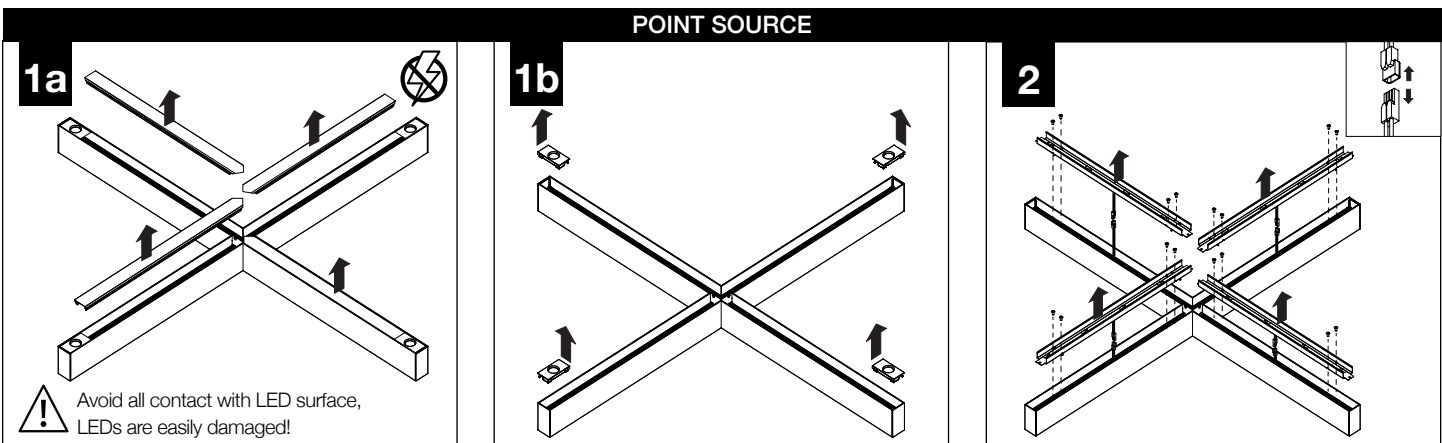
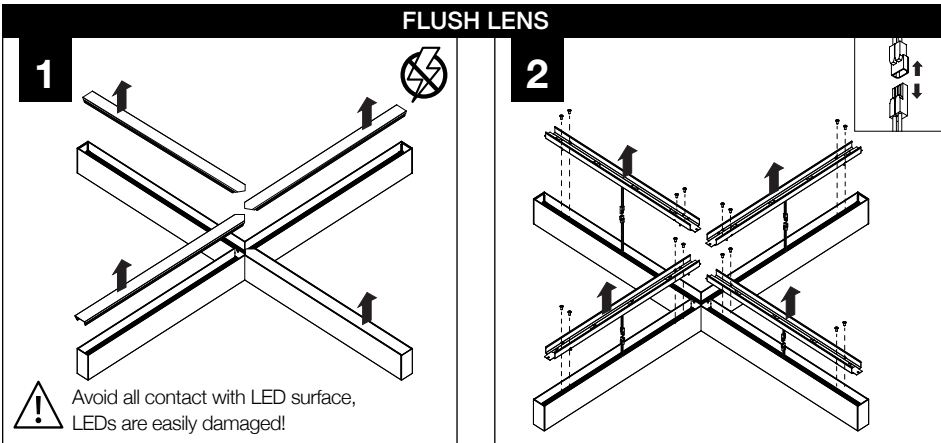
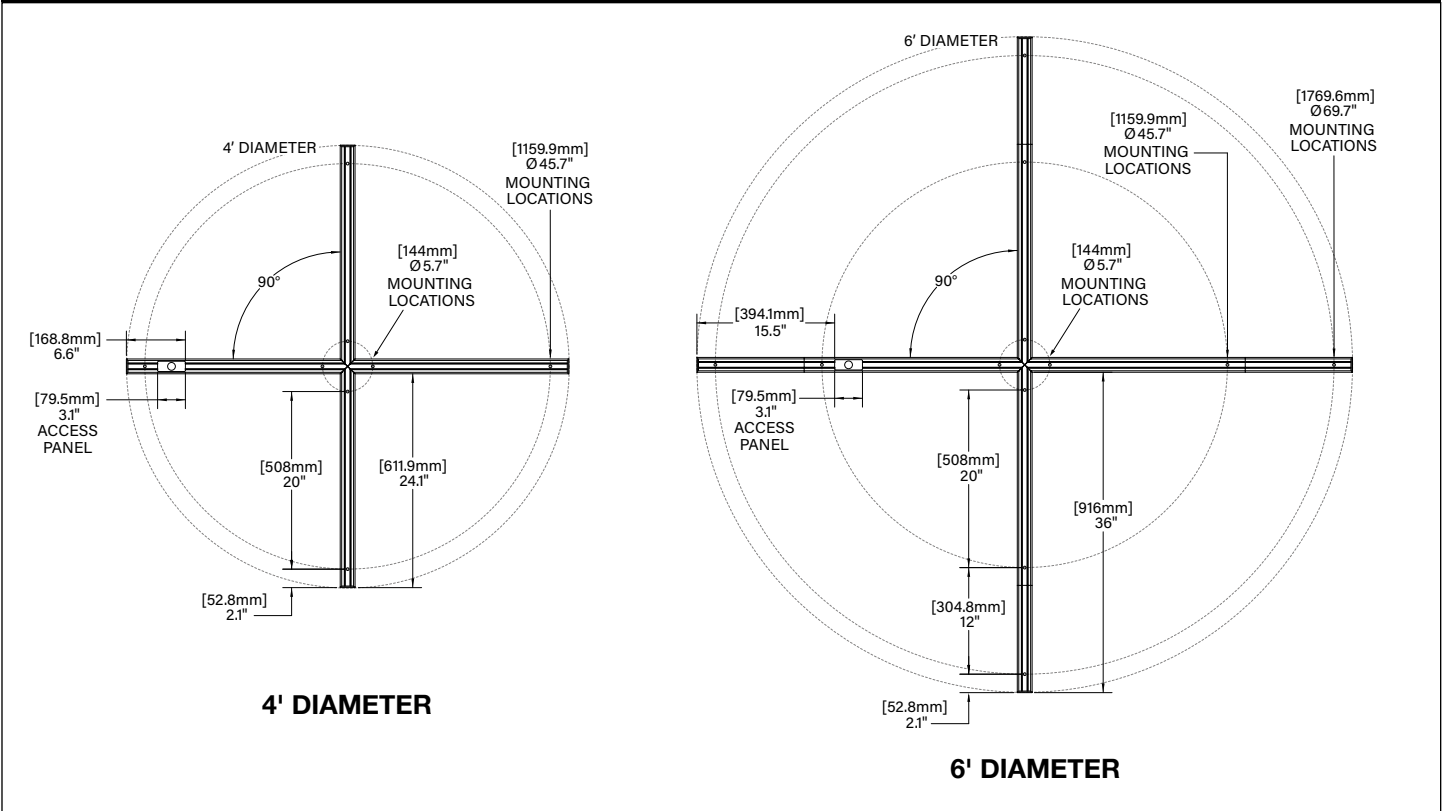


SEE **PAGES 2-3** FOR SINGLE POINT SUSPENSION INSTALLATION

SEE **PAGES 3-4** FOR MULTI-POINT SUSPENSION INSTALLATION

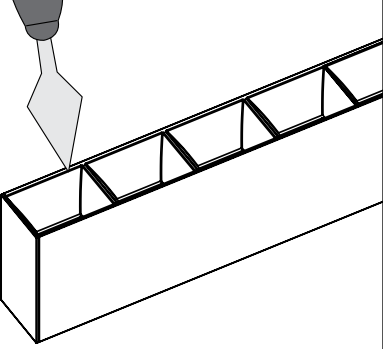
SEE **PAGE 4** FOR 6' UNIT JOINING INSTALLATION

# MOUNTING DIMENSIONS



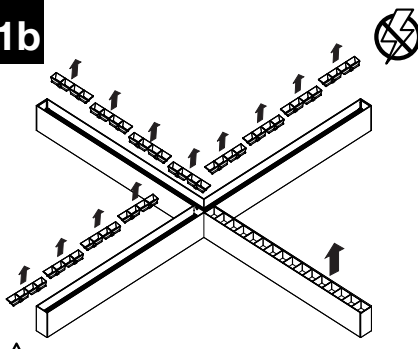
# LOUVER

1a



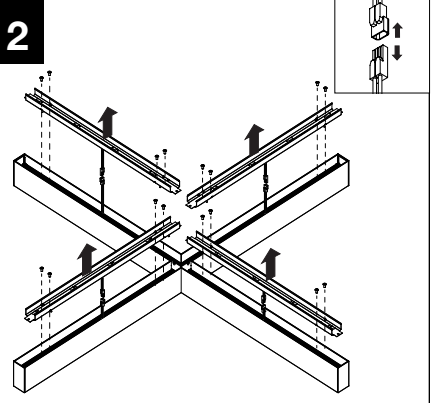
⚠ Use a non-marring tool with thin blade to safely remove louver without causing damage

1b



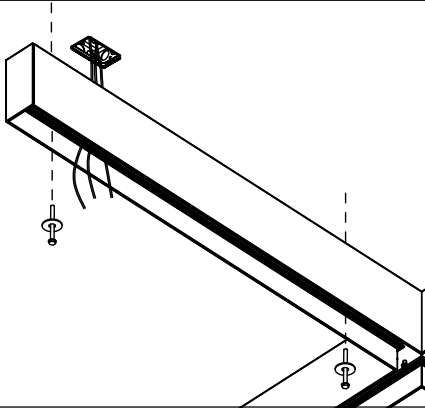
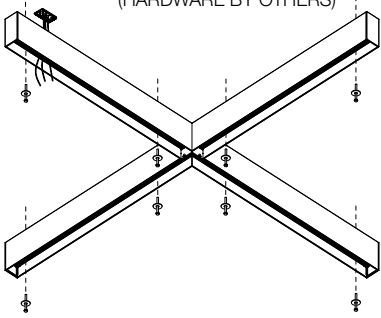
⚠ Avoid all contact with LED surface, LEDs are easily damaged!

2



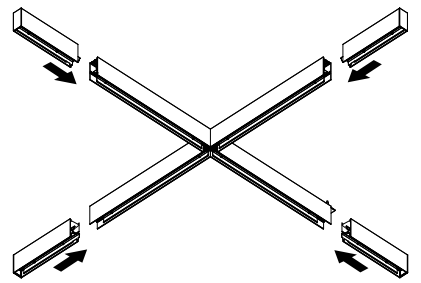
3

SECURE HOUSING TO STRUCTURE ABOVE  
(HARDWARE BY OTHERS)



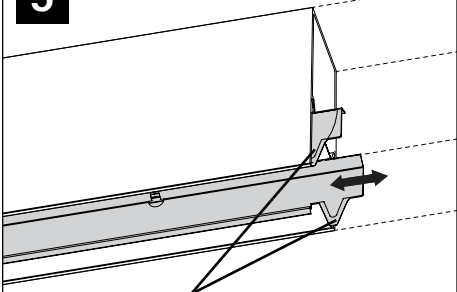
4

6' UNIT JOINING ONLY



5

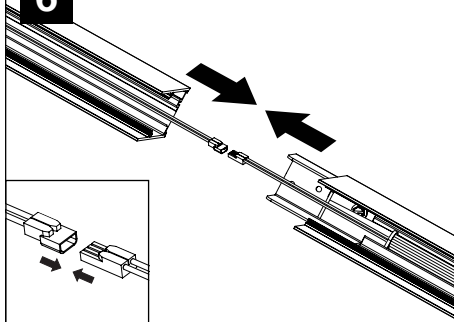
6' UNIT JOINING ONLY



CENTER REFLECTOR TABS AT EDGE OF HOUSING SO LIGHT BLOCKERS EXTEND BEYOND EDGE OF HOUSING INTO ADJOINING LUMINAIRE

6

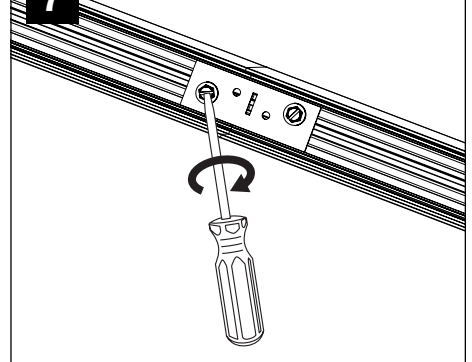
6' UNIT JOINING ONLY



MAKE ELECTRICAL CONNECTION

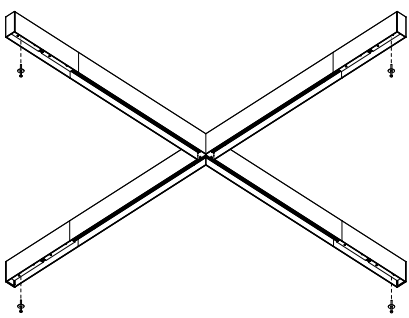
7

6' UNIT JOINING ONLY

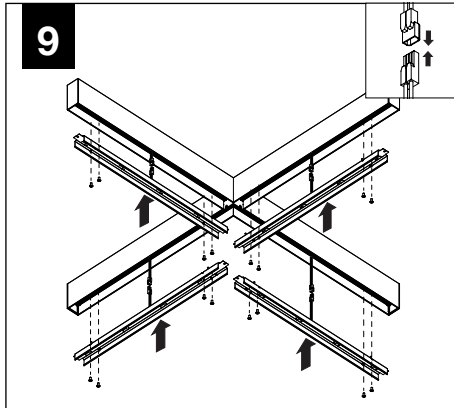


8

6' UNIT JOINING ONLY

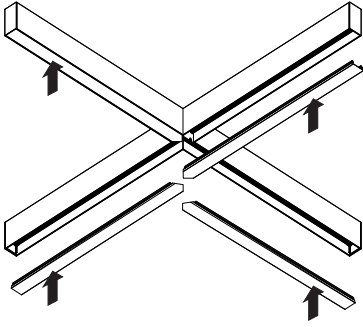


9



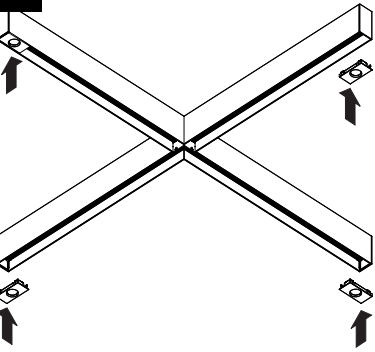
**FLUSH LENS**

**10**

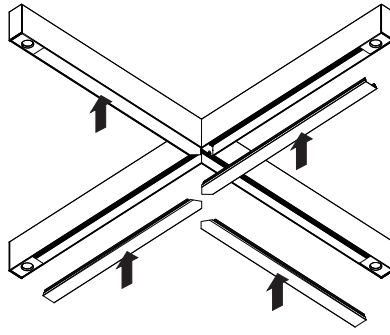


**POINT SOURCE**

**10a**

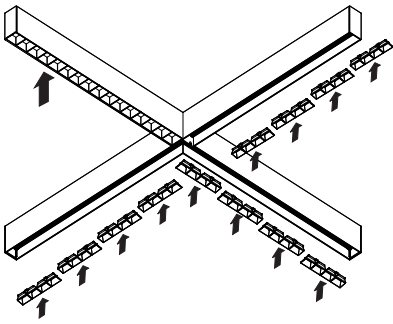


**10b**



**LOUVER**

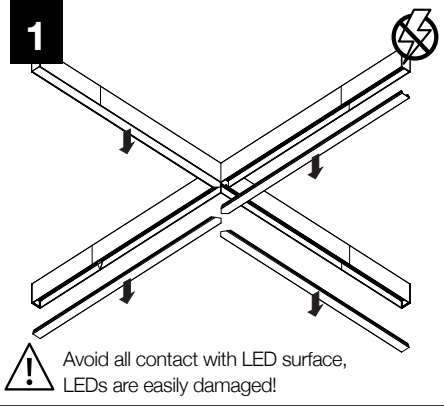
**10**



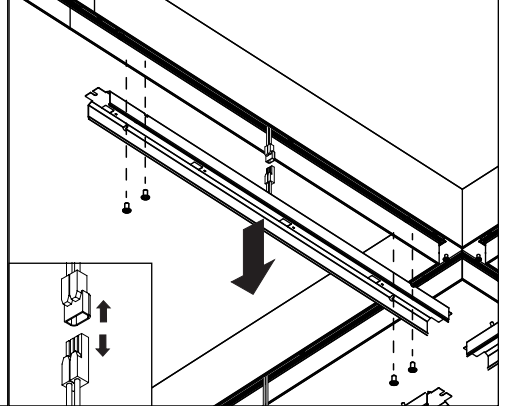
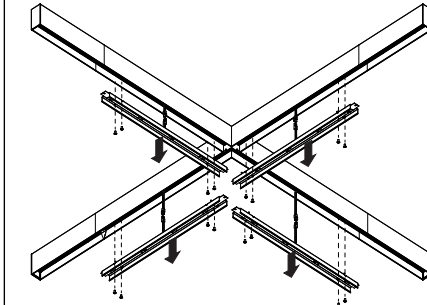
# DRIVER SERVICE

## FLUSH LENS

1

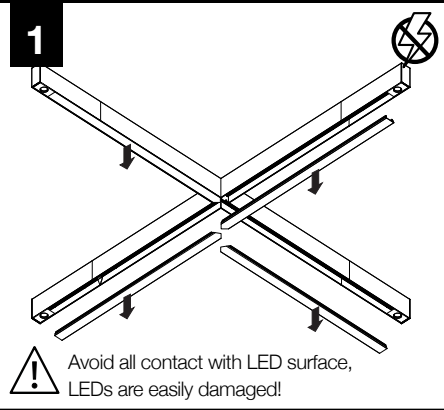


2

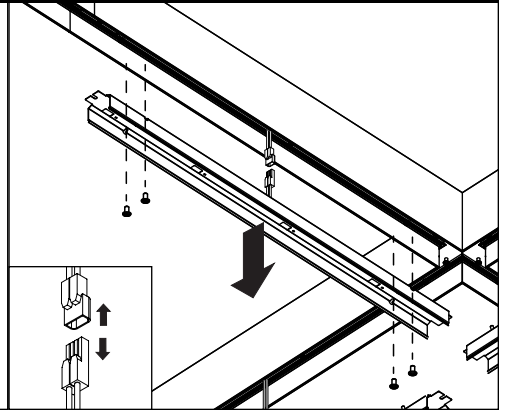
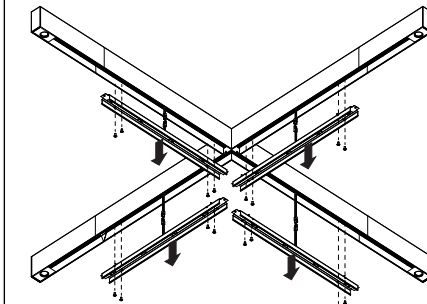


## POINT SOURCE

1

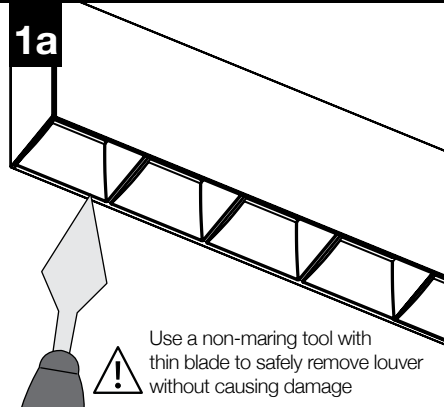


2

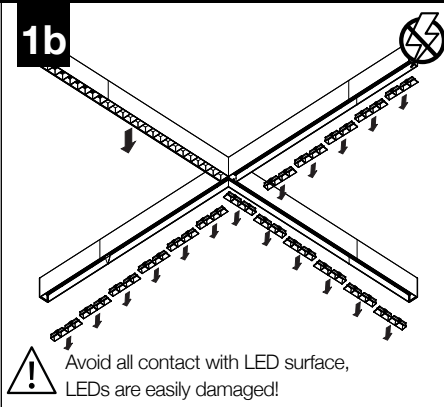


## LOUVER

1a



1b



2

