

ID+ 2.5" Round Trimless Housing

FLC2D | FLC2W



FOCAL POINT®



BEFORE YOU BEGIN

- Luminaires must be installed by a qualified electrician (check with local and national codes for proper installation).
- To prevent electrical shock, disconnect electrical supply before installation or servicing.
- Contractor is responsible for adequately reinforcing walls and/or ceilings to support fixture weight.
- Focal Point, LLC accepts no responsibility for inadequately reinforced walls and/or ceilings.
- The information contained in this drawing is the sole property of Focal Point, LLC. Any reproduction in part or whole without the written permission of Focal Point, LLC is prohibited.



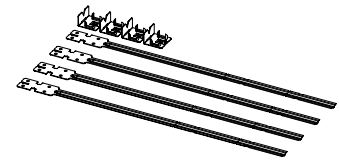
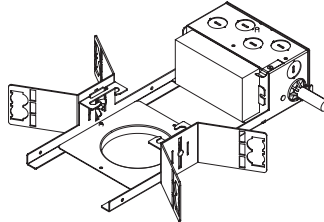
**LUMINAIRE MUST BE INSTALLED PRIOR TO DRYWALL CEILING.
ALL GRID LUMINAIRE MUST BE SECURED TO STRUCTURE ABOVE.**

COMPONENT KEY

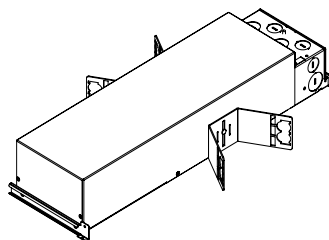
NON-EMERGENCY
THERMALLY PROTECTED, NON-IC



OPTIONAL
BAR HANGERS SOLD SEPARATELY



IC/CP



INSTRUCTION KEY



ATTENTION



SEE ADDITIONAL INSTRUCTIONS

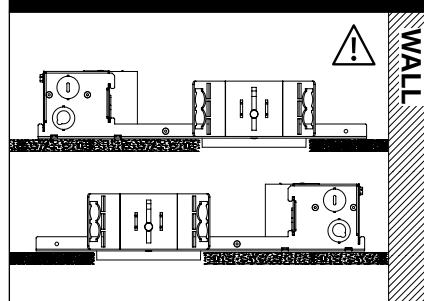


POWER OFF



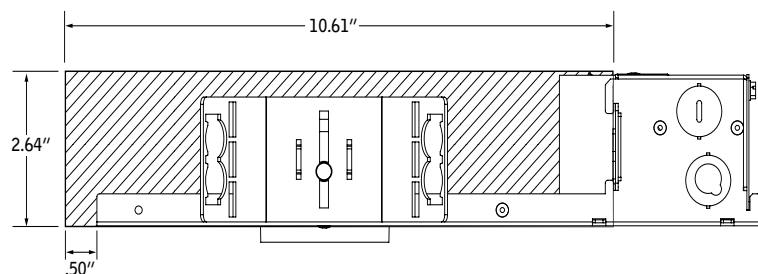
POWER ON

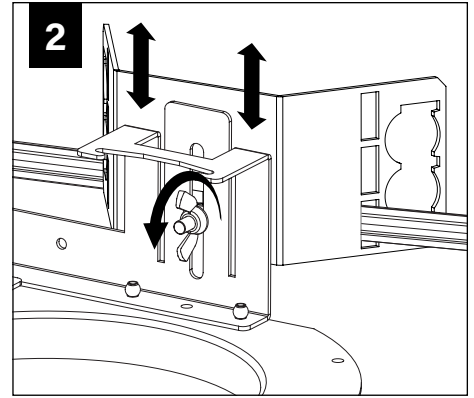
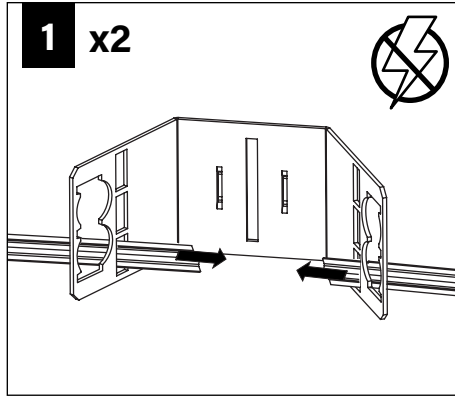
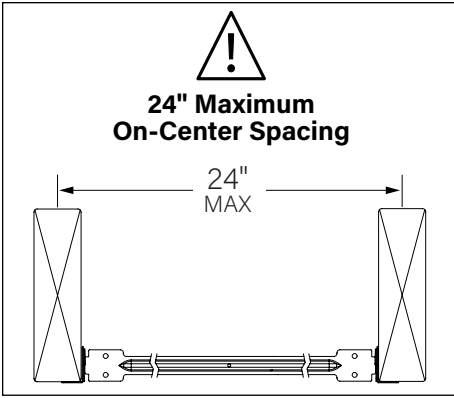
WALL WASH ORIENTATION



KEEP SHADED AREA FREE FROM OBSTRUCTION ABOVE CEILING

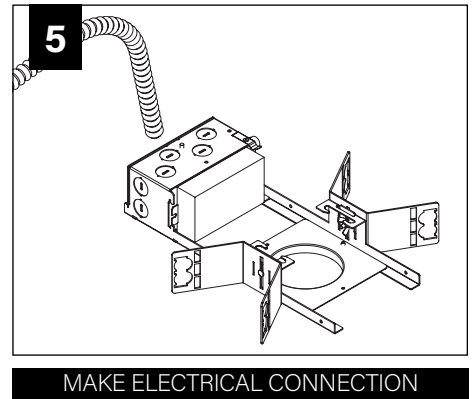
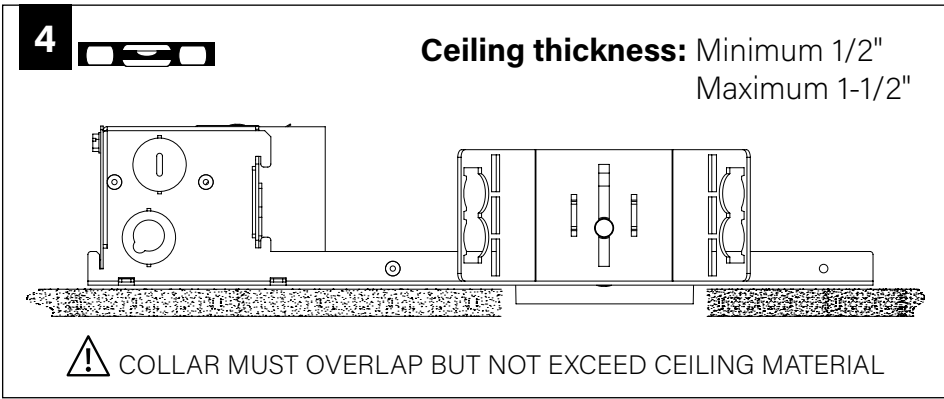
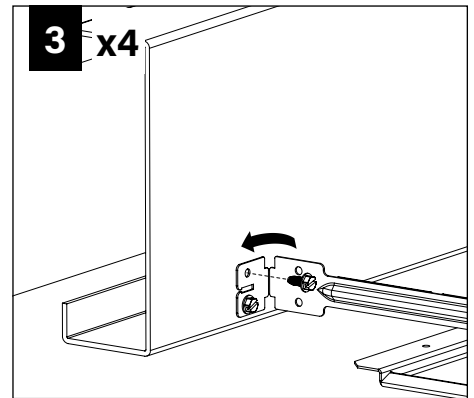
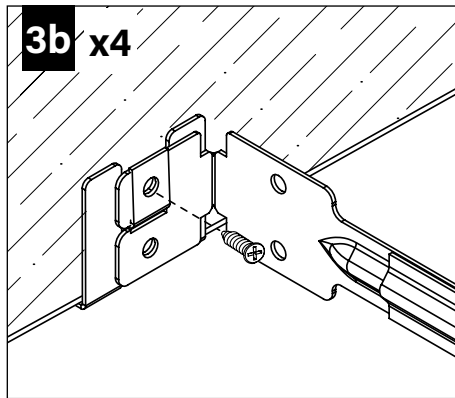
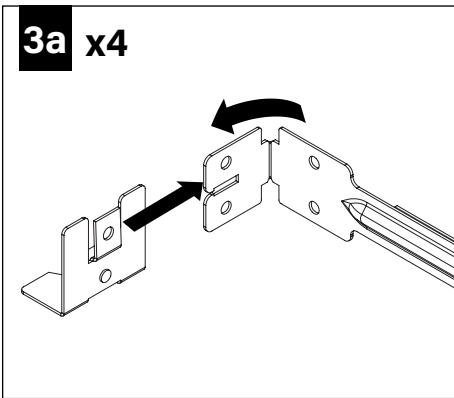
DNS - SHORT CONE
DSS - SUPER SHORT CONE



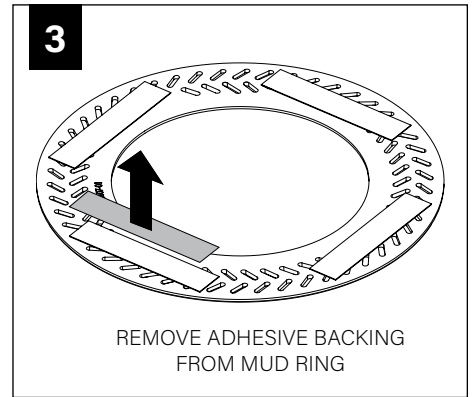
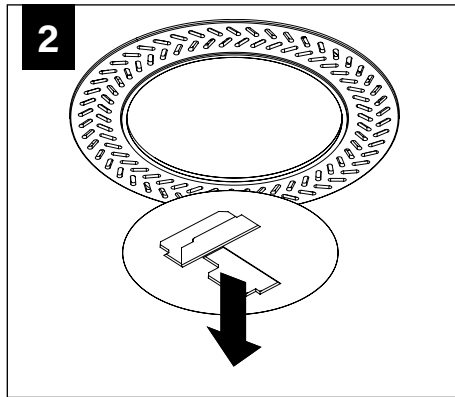
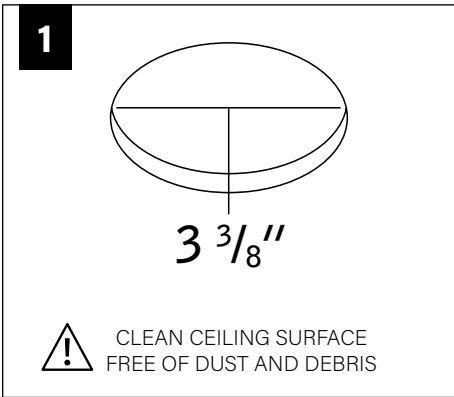


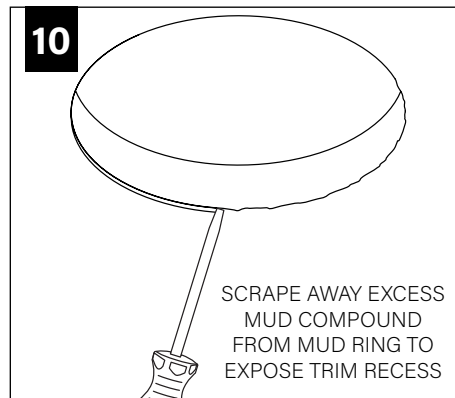
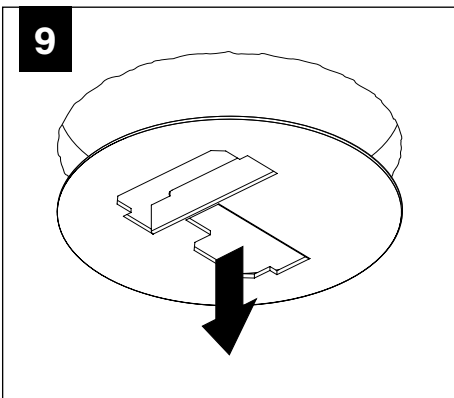
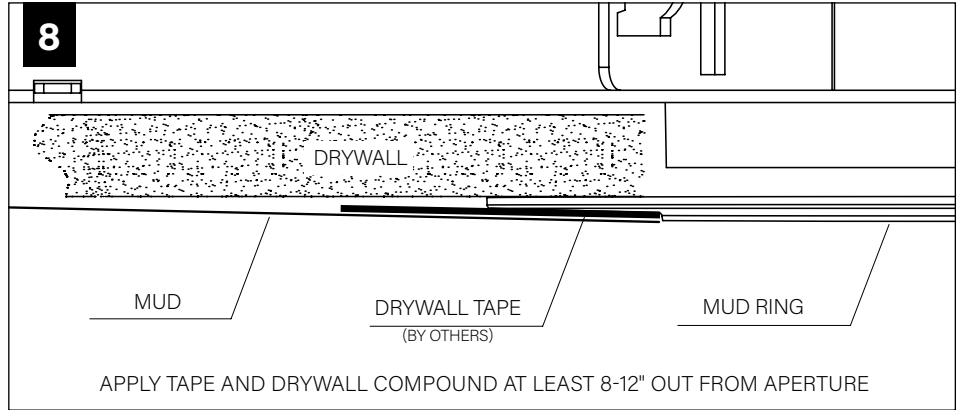
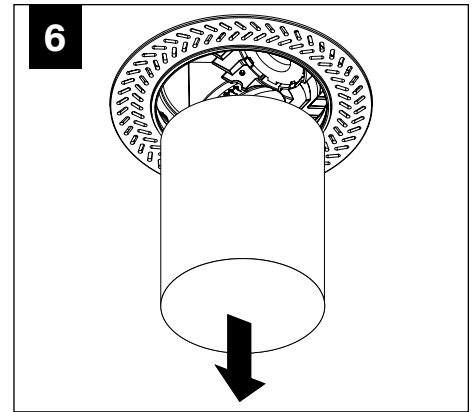
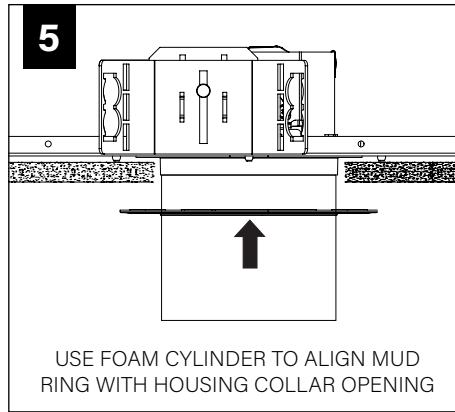
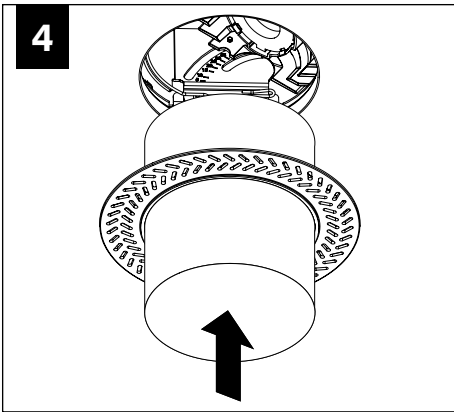
WOOD STUDS

METAL STUDS



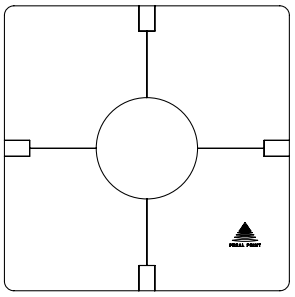
MUD-IN






WOOD CEILING

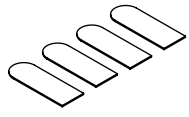
WOOD CEILING INSTALLATION KIT PARTS LIST



WOOD ROUTING JIG



5/16" MINIATURE RABBETING BIT WITH 1/16" CUT DEPTH



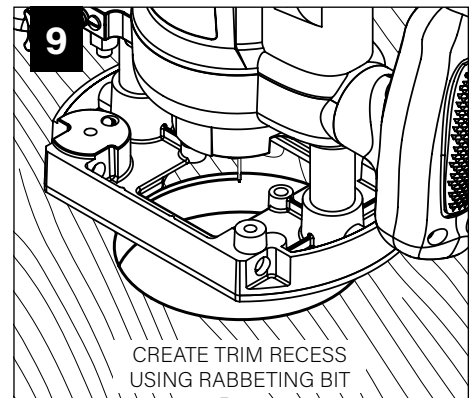
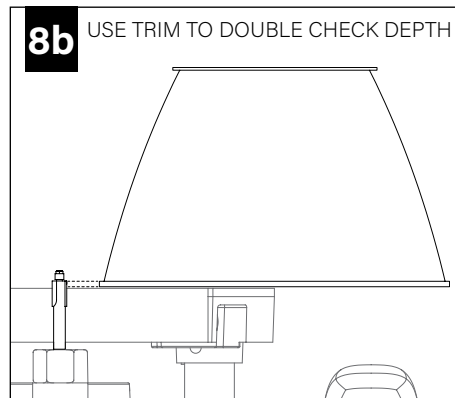
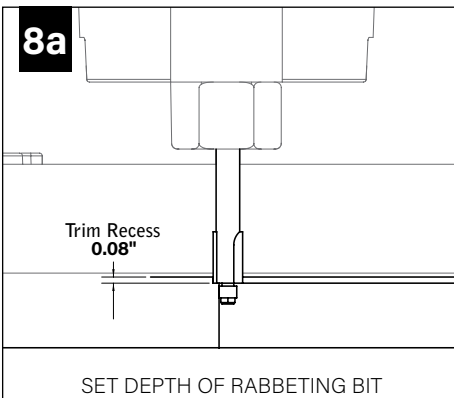
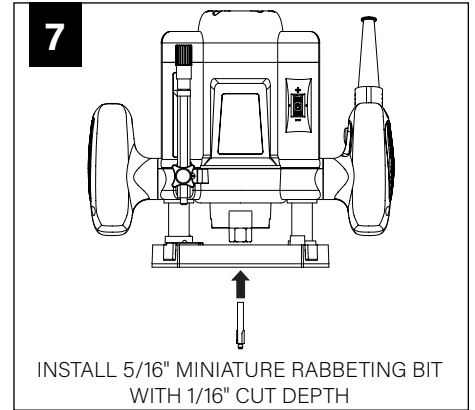
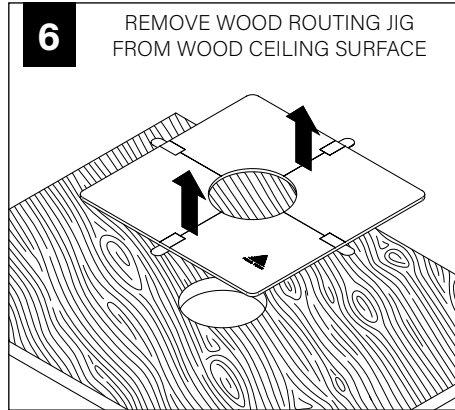
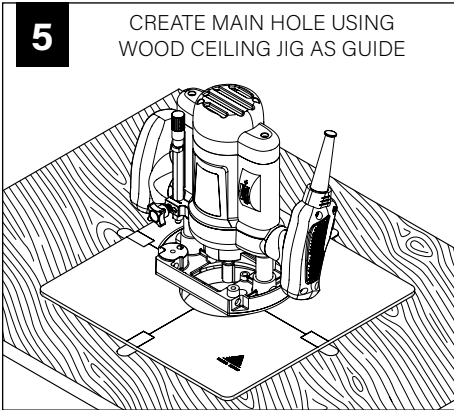
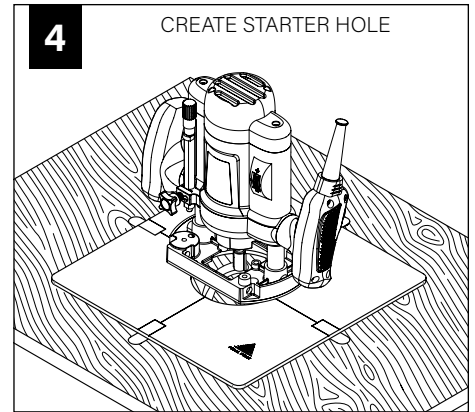
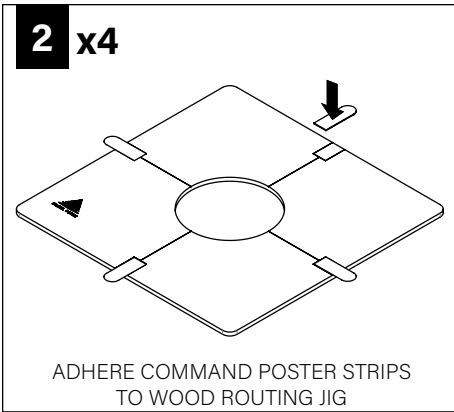
3M COMMAND POSTER STRIP #136 (QTY. 40)

1



3 3/8"

! CLEAN WOOD CEILING SURFACE AND WOOD ROUTING JIG FREE OF DUST AND DEBRIS



DRIVER SERVICE

