

ID+ 2.5" Round Trimless Adjustable

FLCS2-RT








FOCAL POINT®

BEFORE YOU BEGIN

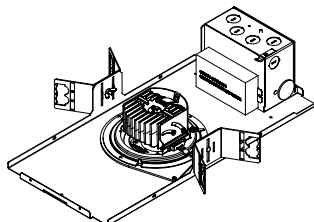
- Luminaires must be installed by a qualified electrician (check with local and national codes for proper installation).
- To prevent electrical shock, disconnect electrical supply before installation or servicing.
- Contractor is responsible for adequately reinforcing walls and/or ceilings to support fixture weight.
- Focal Point, LLC accepts no responsibility for inadequately reinforced walls and/or ceilings.
- The information contained in this drawing is the sole property of Focal Point, LLC. Any reproduction in part or whole without the written permission of Focal Point, LLC is prohibited.

INSTRUCTION KEY

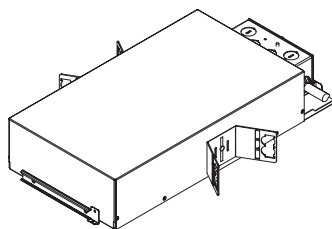
-  **ATTENTION**
-  **SEE ADDITIONAL INSTRUCTIONS**
-  **POWER OFF**
-  **POWER ON**
-  **LEVEL**

COMPONENT KEY

HOUSING



T-Housing



IC & CP Housing

TRIM



Solite Lens

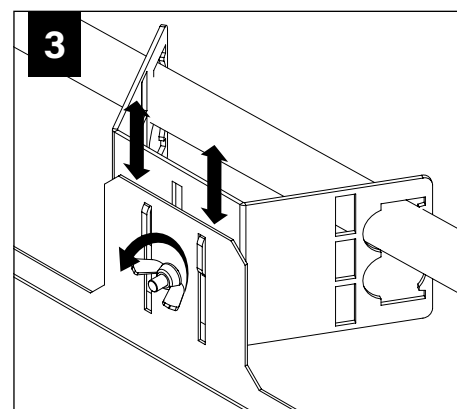
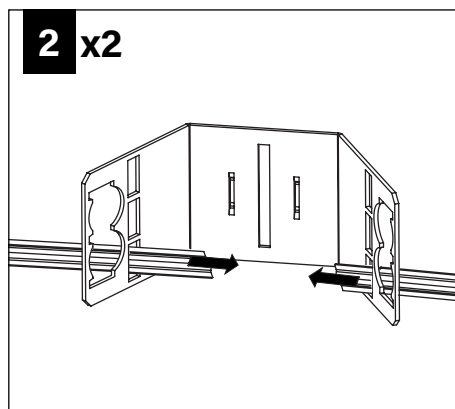
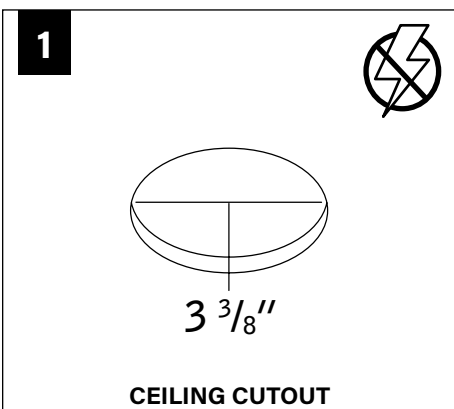
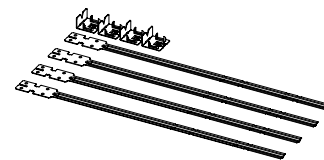


Spot Optic,
no lens
0° - 15° tilt

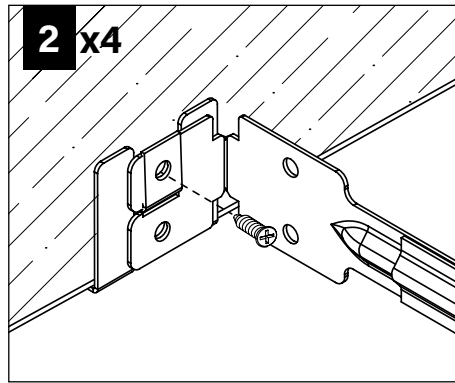
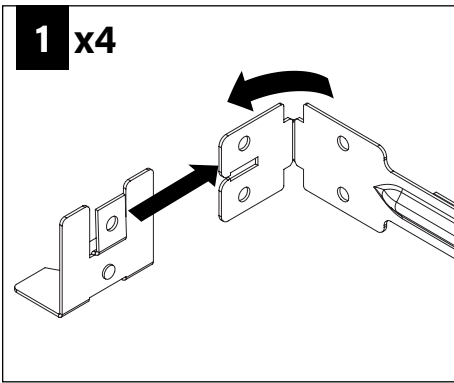


Spot Optic,
no lens
15° - 35° tilt

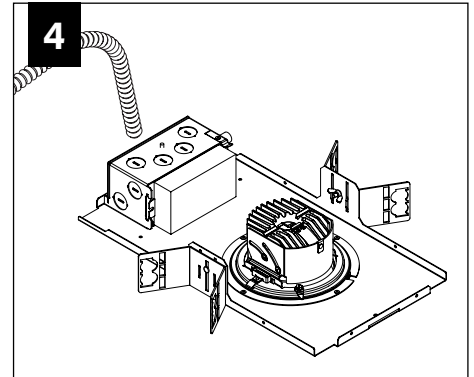
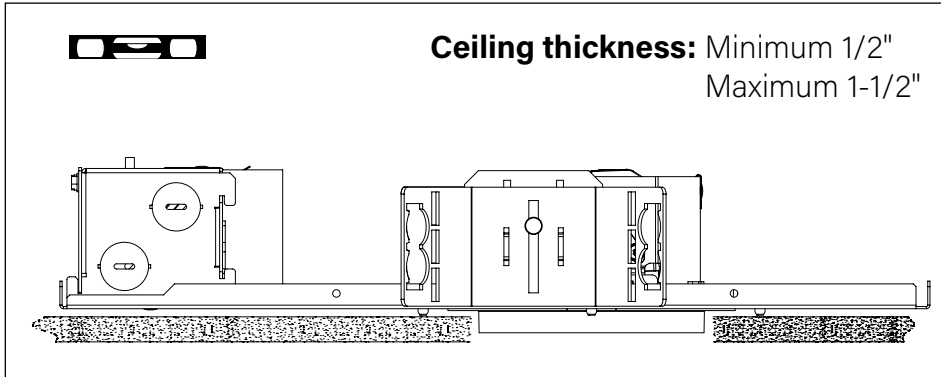
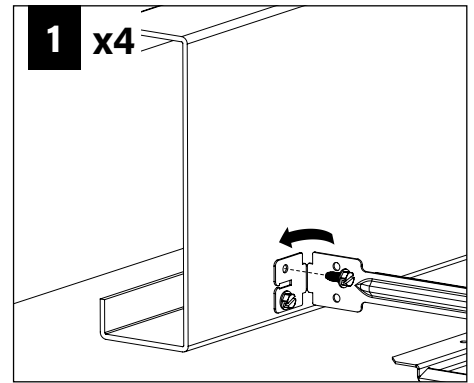
OPTIONAL BAR HANGERS SOLD SEPARATELY



WOOD STUDS

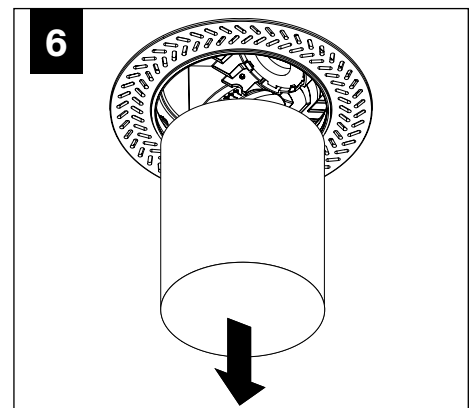
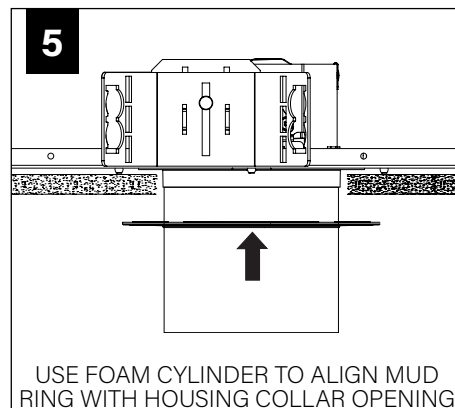
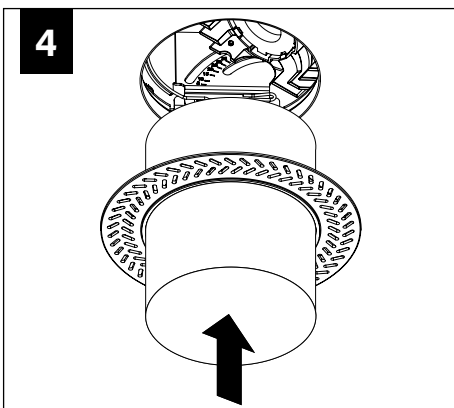
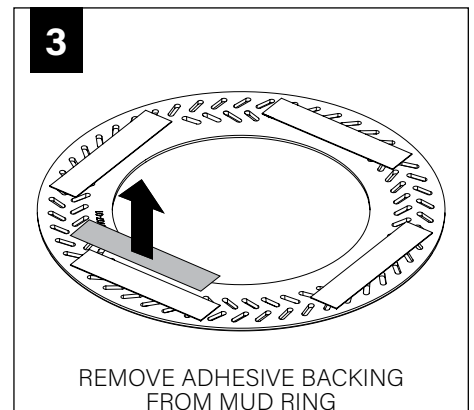
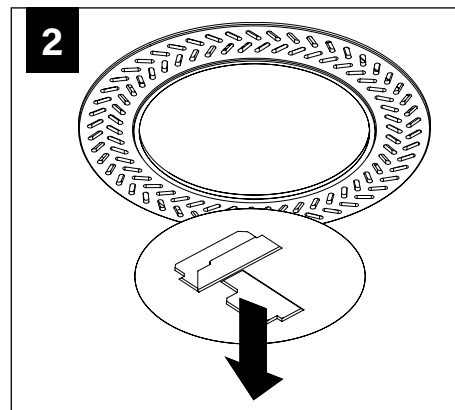


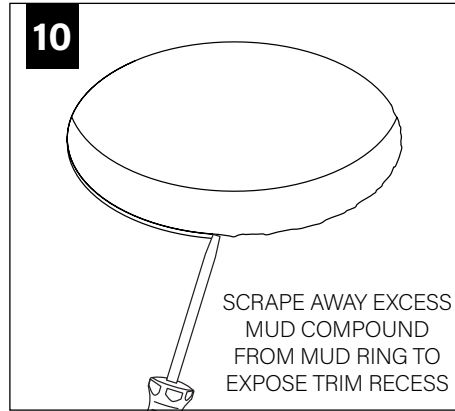
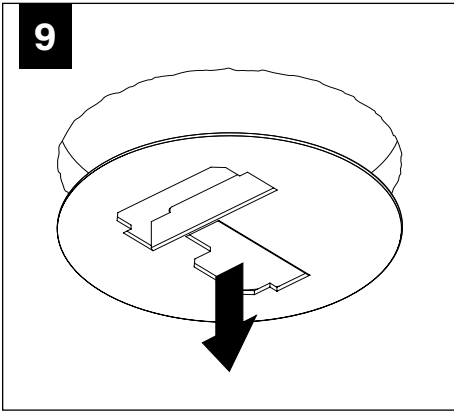
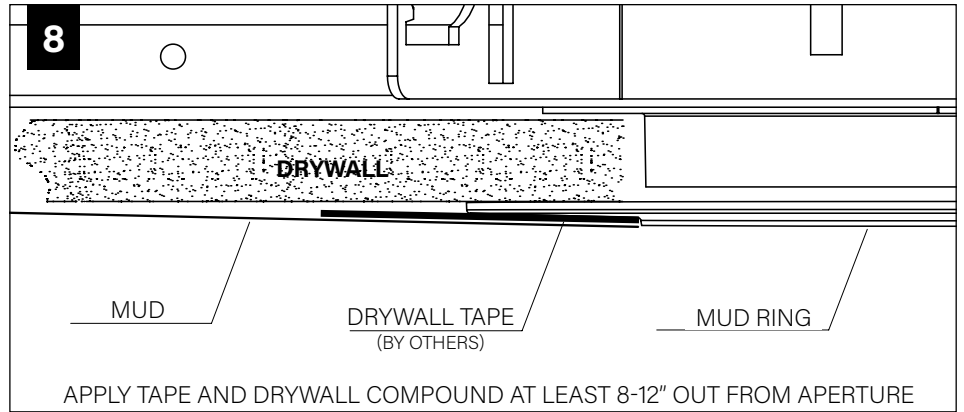
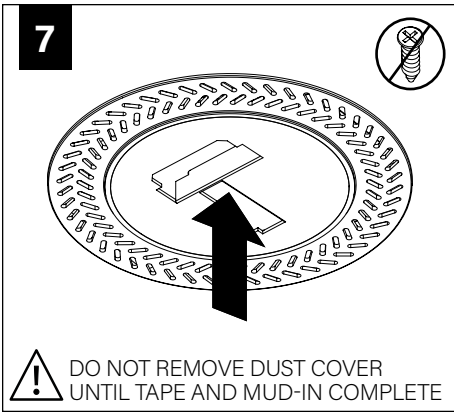
METAL STUDS



MAKE ELECTRICAL CONNECTION

MUD-IN





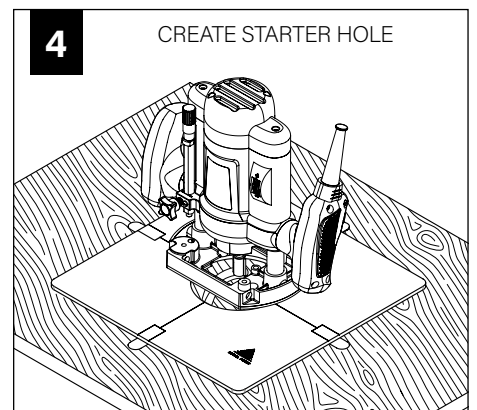
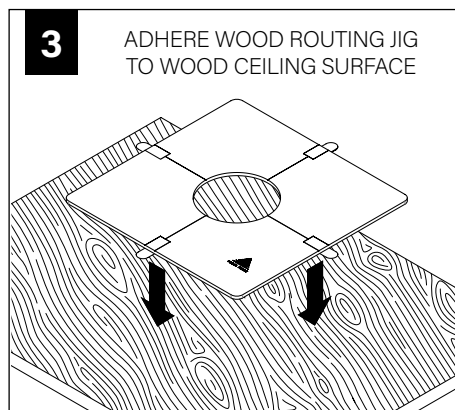
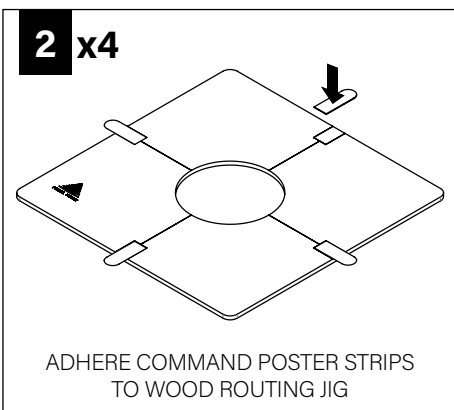
WOOD CEILING

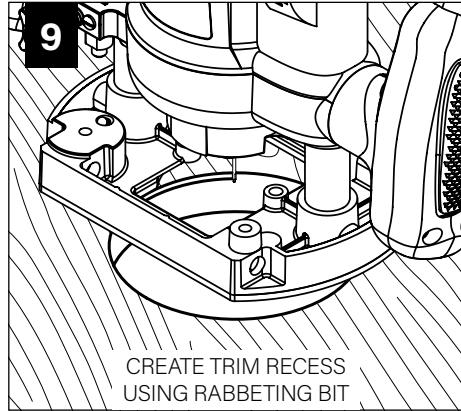
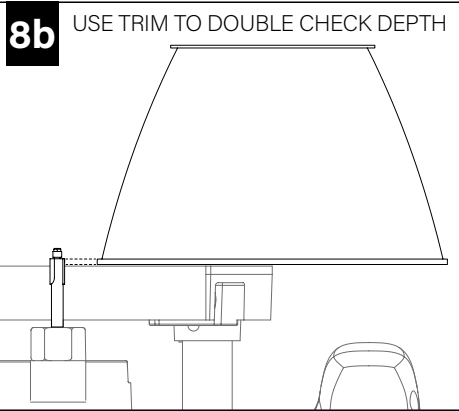
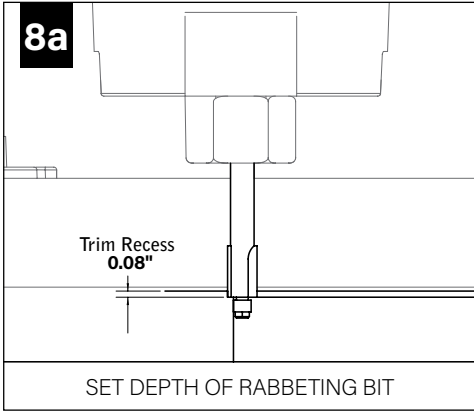
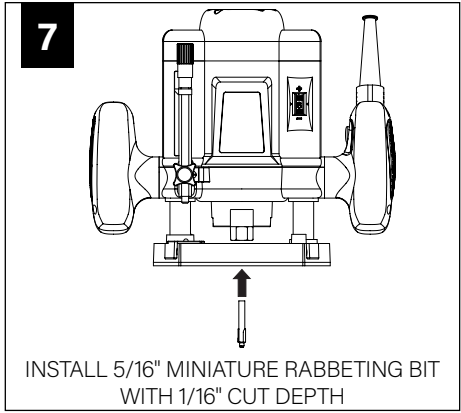
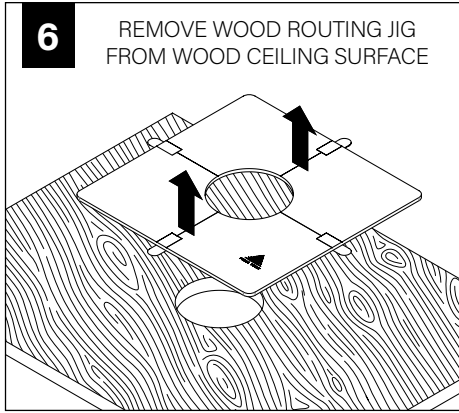
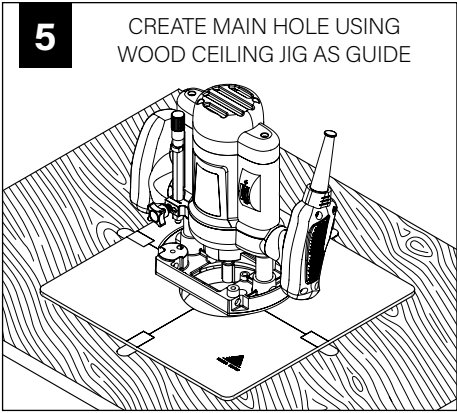
WOOD CEILING INSTALLATION KIT PARTS LIST

WOOD ROUTING JIG

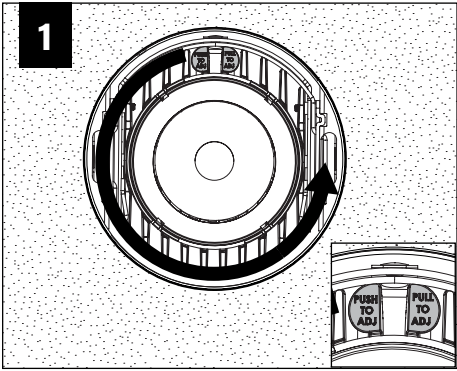
5/16" MINIATURE RABBETING BIT WITH 1/16" CUT DEPTH

3M COMMAND POSTER STRIP #136 (QTY. 40)



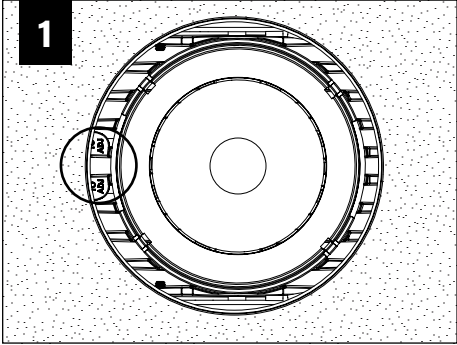


ROTATE

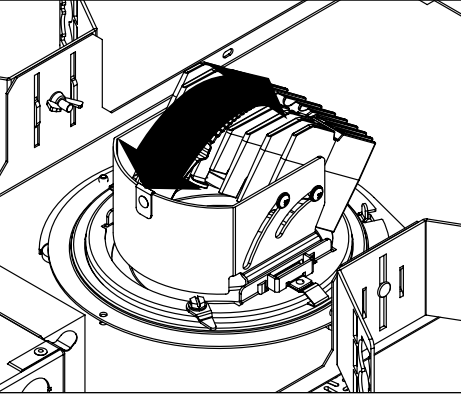
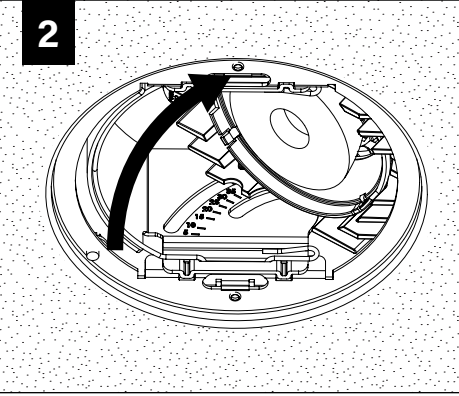


USE ADJUSTMENT HANDLE TO ROTATE UP TO 362°

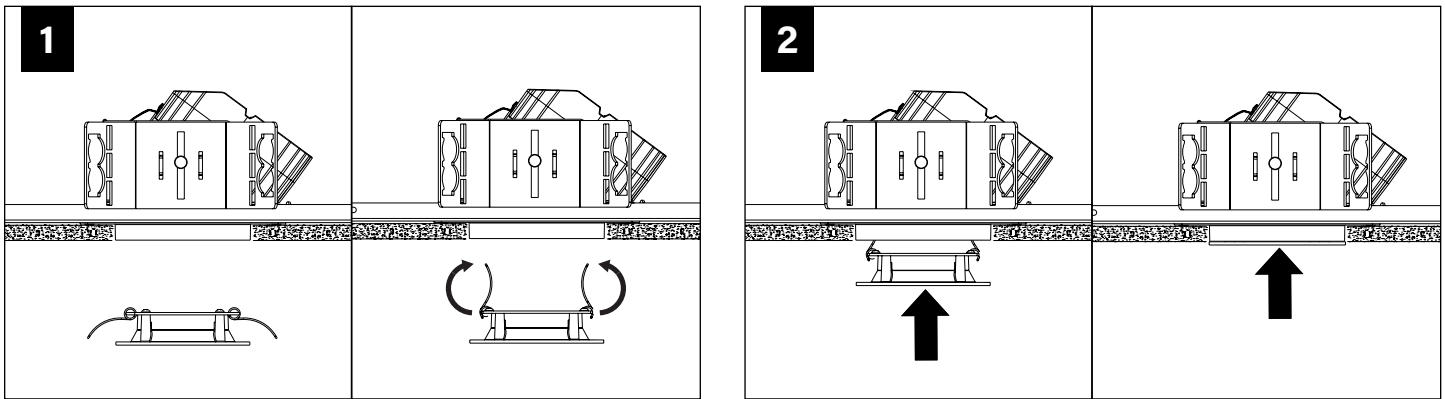
TILT



USE ADJUSTMENT HANDLE TO TILT UP TO 35°



TRIM INSTALLATION

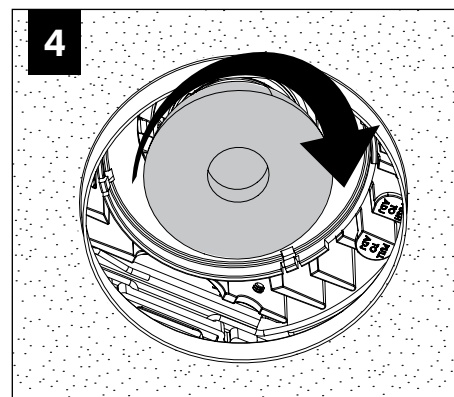
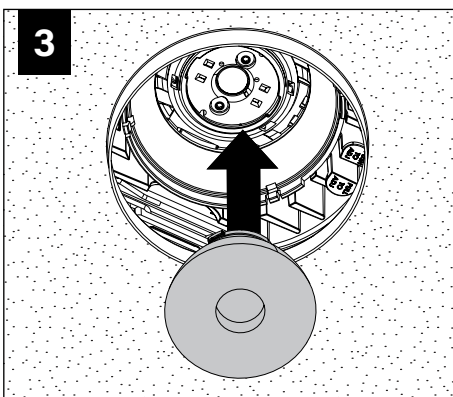
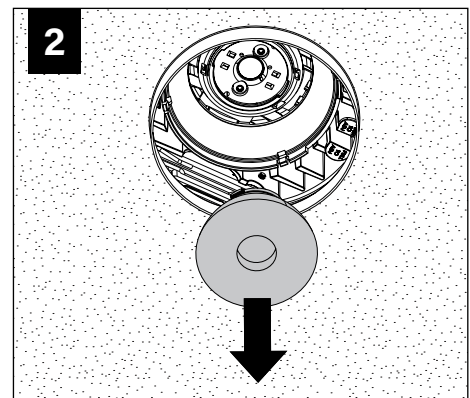
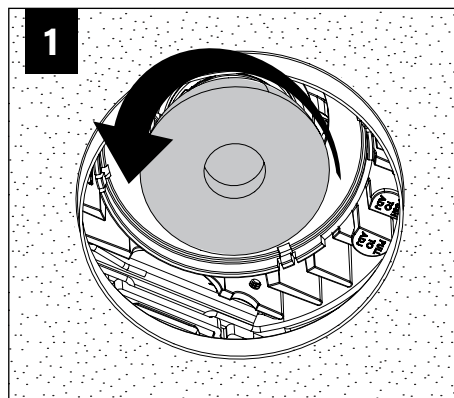


OPTIC SERVICE



DISTRIBUTION KITS INCLUDE AN OPTIC AND REFLECTOR ASSEMBLY.

BOTH ITEMS MUST BE USED
TO ACHIEVE SPECIFIED
DISTRIBUTION.

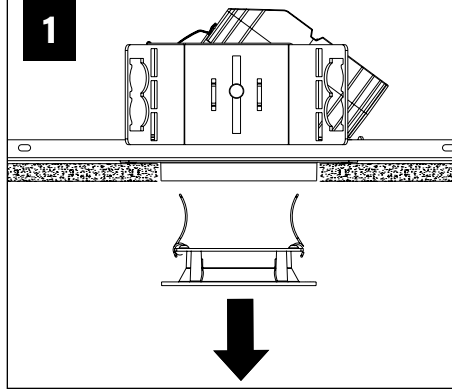


DRIVER SERVICE

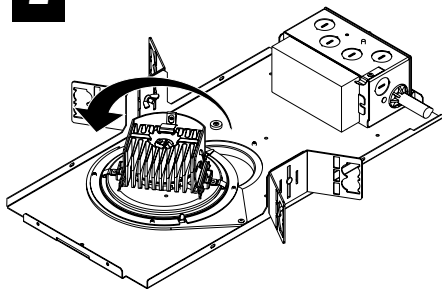


**TO PREVENT ELECTRICAL SHOCK,
DISCONNECT ELECTRICAL SUPPLY
BEFORE SERVICING**

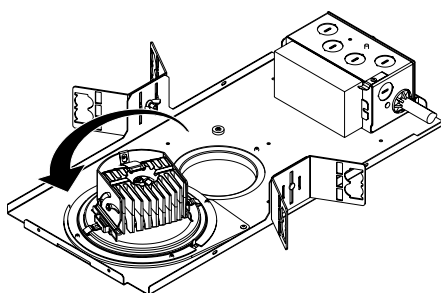
1



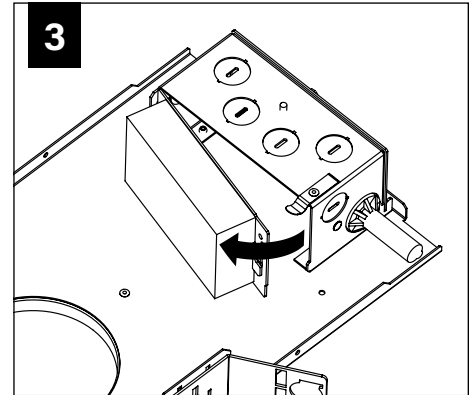
2



ROTATE ADJUSTMENT MODULE CLEAR OF CEILING OPENING. MODULE HELD IN PLACE MAGNETICALLY.



3



4

