

ID+ 2.5" Module & Reflector

LC2 | LC22



FOCAL POINT®

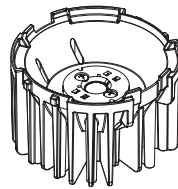


BEFORE YOU BEGIN

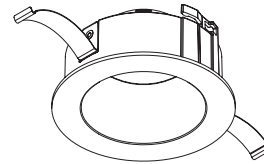
- Luminaires must be installed by a qualified electrician (check with local and national codes for proper installation).
- To prevent electrical shock, disconnect electrical supply before installation or servicing.
- Contractor is responsible for adequately reinforcing walls and/or ceilings to support fixture weight.
- Focal Point, LLC accepts no responsibility for inadequately reinforced walls and/or ceilings.
- The information contained in this drawing is the sole property of Focal Point, LLC. Any reproduction in part or whole without the written permission of Focal Point, LLC is prohibited.

COMPONENT KEY

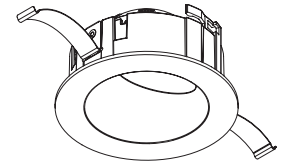
FOCAL POINT



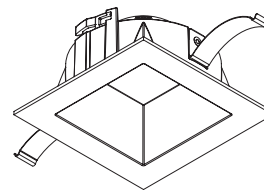
Led Module



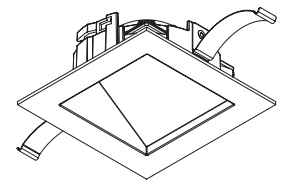
Round Downlight



Round Wall Wash



Square Downlight



Square Wall Wash

INSTRUCTION KEY



ATTENTION



SEE ADDITIONAL INSTRUCTIONS

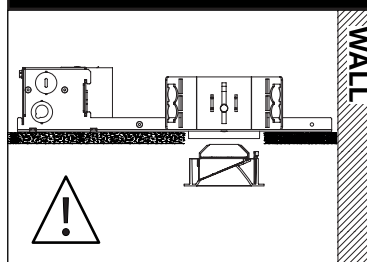


POWER OFF

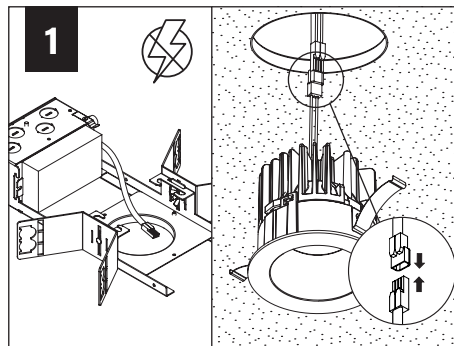


POWER ON

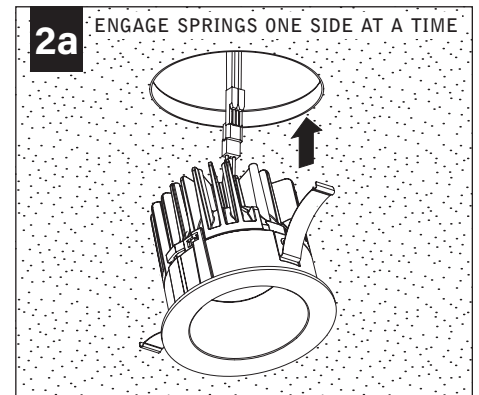
WALL WASH

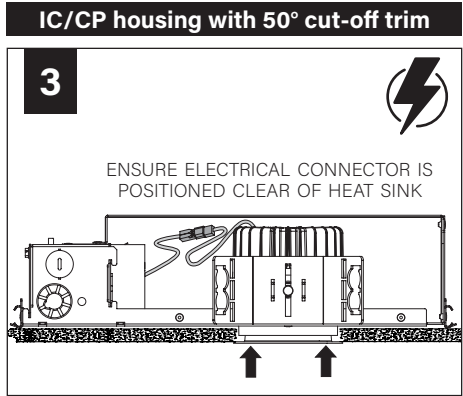
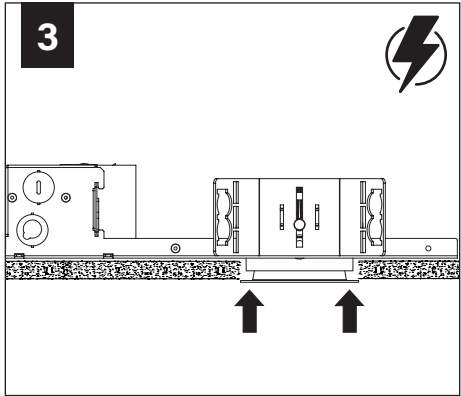
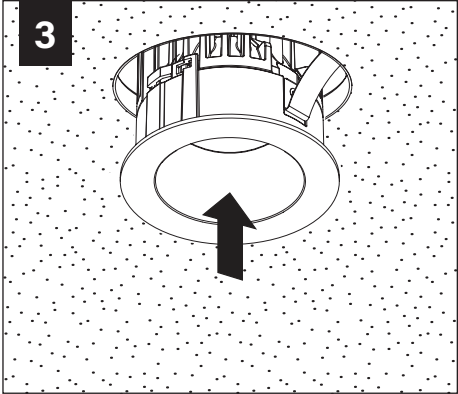
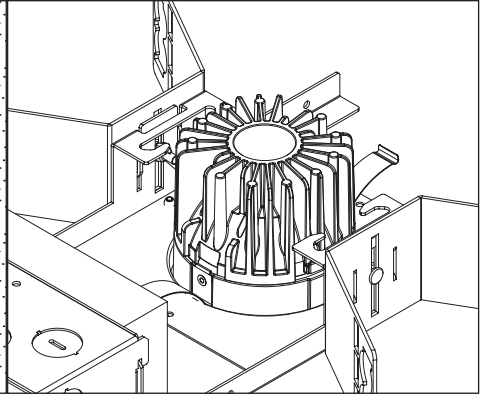
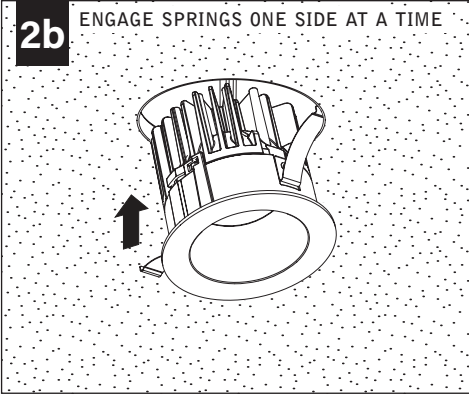


MODULE INSTALLATION



MAKE ELECTRICAL CONNECTION





TRIM & MODULE REMOVAL

