

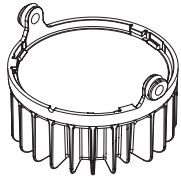
# id+ 3.5" module & reflector

LC3 | LC33

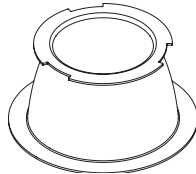


FOCAL POINT®

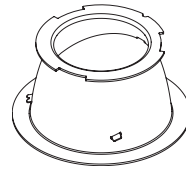
FOCAL POINT



LED MODULE



ROUND DOWNLIGHT



ROUND WALL WASH

KEY



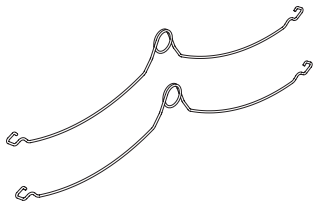
POWER OFF



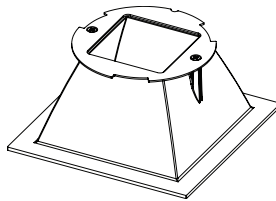
POWER ON



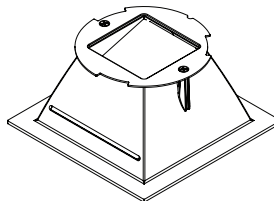
ATTENTION



TORSION SPRINGS  
(SHIPS WITH HOUSING)

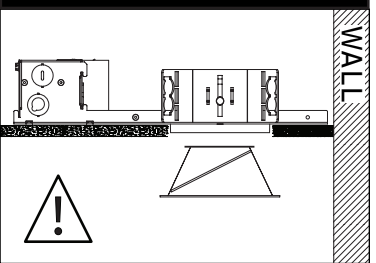


SQUARE DOWNLIGHT

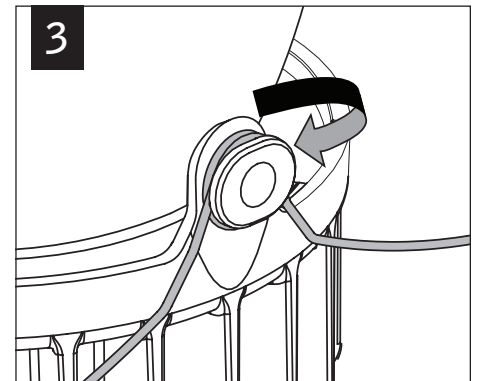
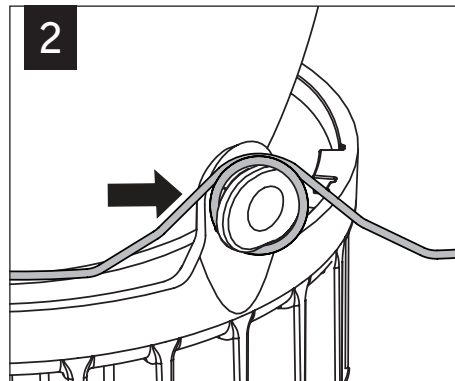
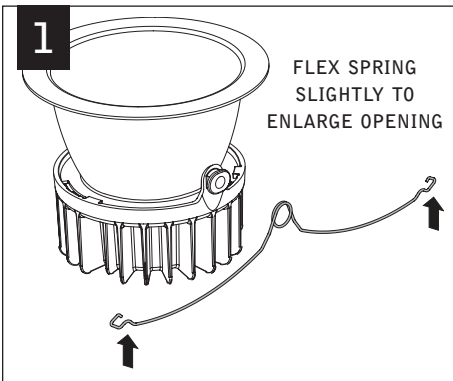


SQUARE WALL WASH

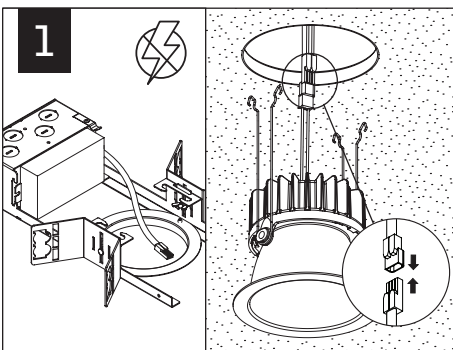
## WALL WASH



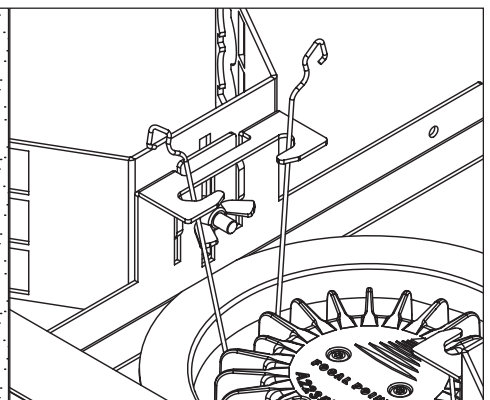
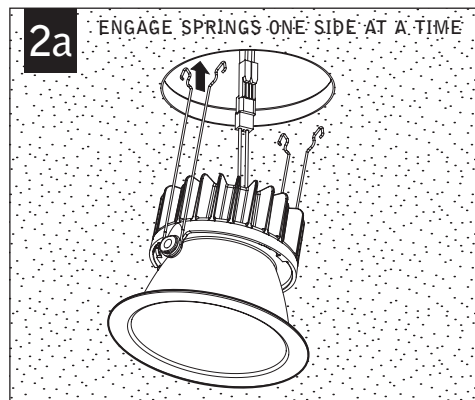
## TORSION SPRING INSTALLATION



## MODULE INSTALLATION

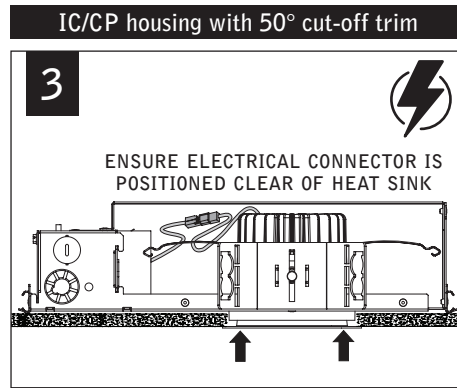
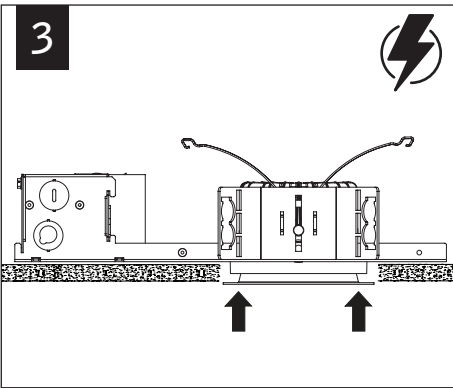
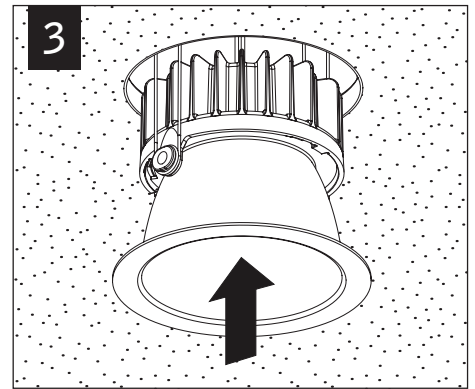
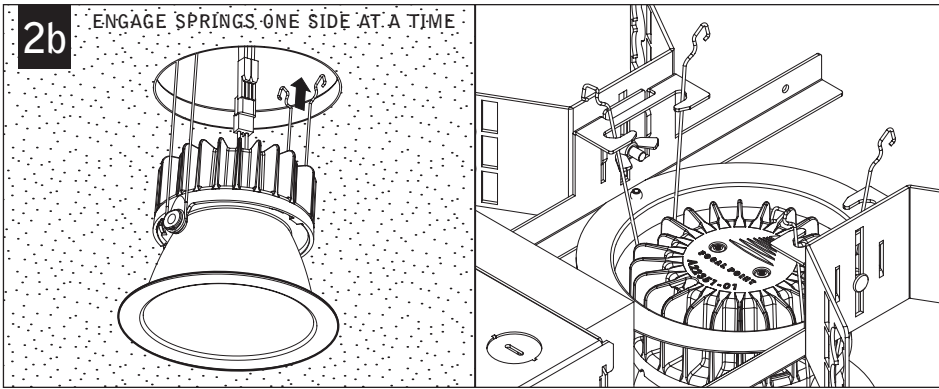


MAKE ELECTRICAL CONNECTION

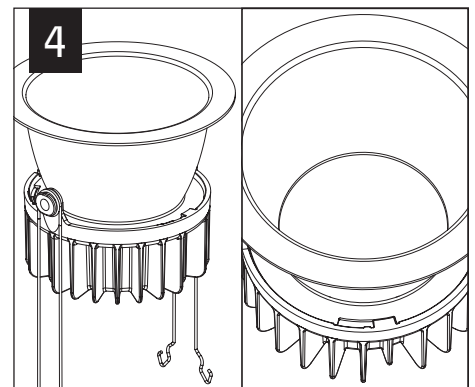
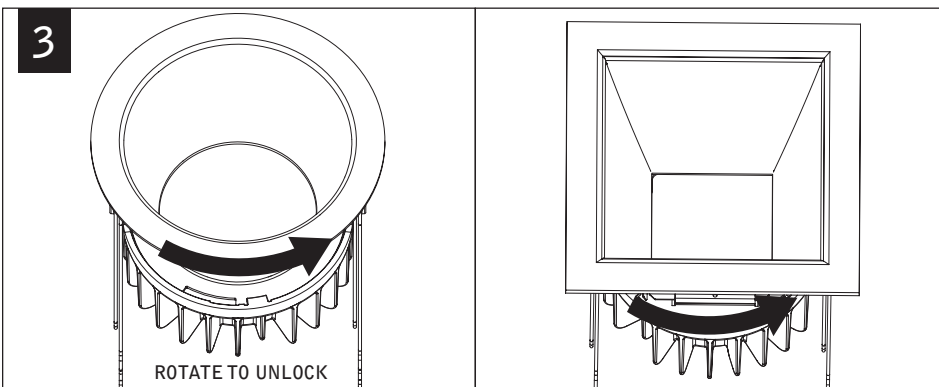
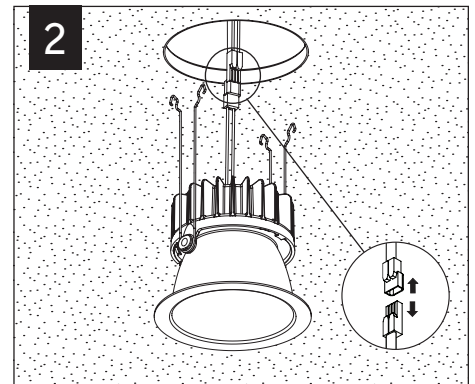
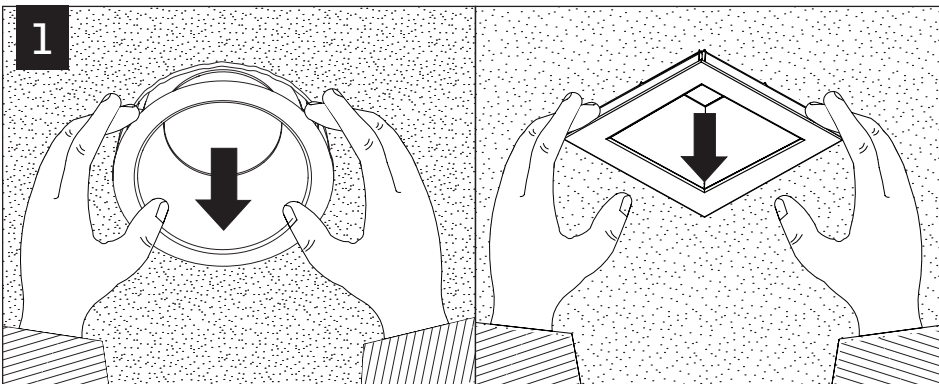


Luminaires must be installed by a qualified electrician (check with local and national codes for proper installation).  
To prevent electrical shock, disconnect electrical supply before installation or servicing.

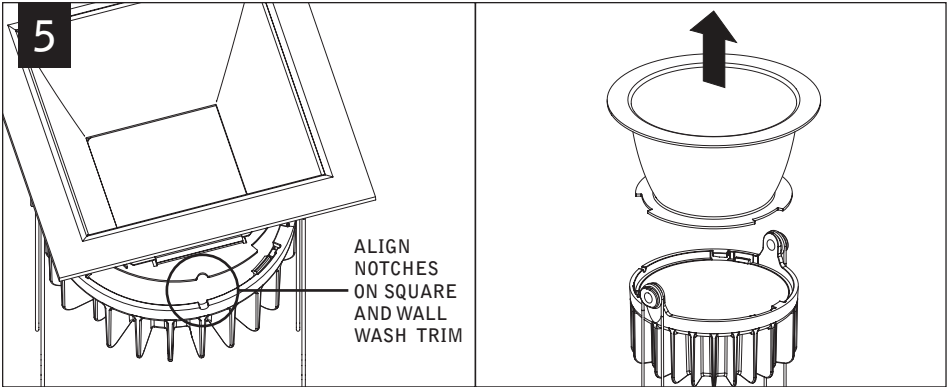
Contractor is responsible for adequately reinforcing walls and/or ceilings to support fixture weight. Focal Point, LLC accepts no responsibility for inadequately reinforced walls and/or ceilings. The information contained in this drawing is the sole property of Focal Point, LLC. Any reproduction in part or whole without the written permission of Focal Point, LLC is prohibited.



**TRIM & MODULE REMOVAL**



Luminaires must be installed by a qualified electrician (check with local and national codes for proper installation).  
To prevent electrical shock, disconnect electrical supply before installation or servicing.



Contractor is responsible for adequately reinforcing walls and/or ceilings to support fixture weight. Focal Point, LLC accepts no responsibility for inadequately reinforced walls and/or ceilings. The information contained in this drawing is the sole property of Focal Point, LLC. Any reproduction in part or whole without the written permission of Focal Point, LLC is prohibited.