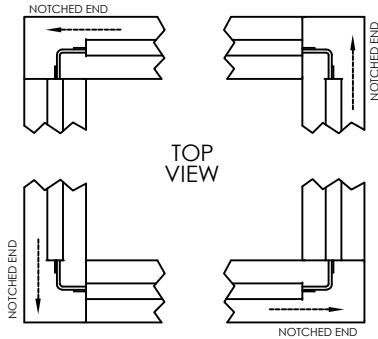


** FRAME KIT INFORMATION **

THE FIXTURES ARE INTENDED TO BE INSTALLED BY A QUALIFIED ELECTRICIAN (CHECK WITH LOCAL AND NATIONAL CODES FOR PROPER INSTALLATION). TO PREVENT ELECTRICAL SHOCK, DISCONNECT ELECTRICAL SUPPLY BEFORE INSTALLATION OR SERVICING.

KIT "A"

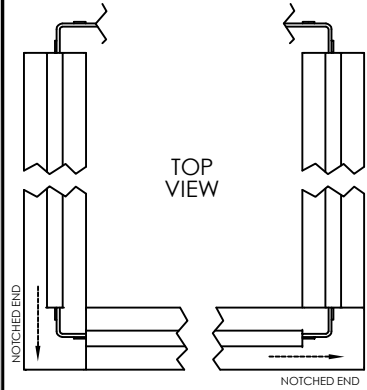


KIT "A" IS MADE UP OF 4 "T" GRID SECTIONS (WITH 1 NOTCHED END) & 4 UNIVERSAL CORNER BRACKETS.

KIT "A" IS INTENDED TO MOUNT INDIVIDUAL 1'X1', 1'X2', 1'X4', 2'X2', OR 2'X4' FIXTURES INTO A DRYWALL CEILING.

KIT "A" CAN ALSO BE USED TO START A PATTERN OR CLUSTER WITH ADDITIONAL "B" KITS ATTACHED TO IT. (SEE BELOW)

KIT "B"



KIT "B" IS MADE UP OF 2 "T" GRID SECTIONS (CONTAINING 1 NOTCHED END), 2 SHORT "T" GRID SECTION (WITHOUT NOTCH) & 4 UNIVERSAL CORNER BRACKETS.

KIT "B" IS NOT INTENDED TO MOUNT INDIVIDUAL FIXTURES INTO A DRYWALL CEILING.

KIT "B" CAN ONLY BE USED AS AN ADDITION TO KIT "A" FOR FORMING RUNS OR CLUSTER PATTERNS. (FOR RUNS AND/OR CLUSTERS, SOME SIDES OF KIT "B" MUST BE DISCARDED.)

INDIVIDUAL FIXTURE

REQUIRES 1 "A" KIT



ROW MOUNT FIXTURES

REQUIRE 1 "A" KIT FOR START OF ROW

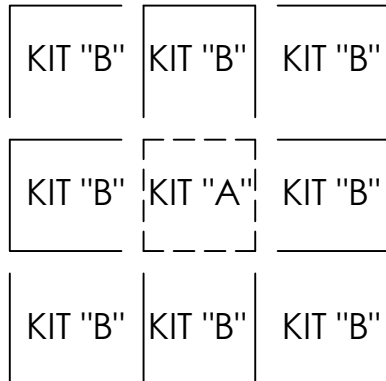
"B" KITS ARE ADDED TO ACHIEVE DESIRED ROW LENGTH



CLUSTER FIXTURES

REQUIRE 1 "A" KIT FOR CENTER OF CLUSTER

"B" KITS ARE ADDED TO ACHIEVE DESIRED SIZE OR PATTERN



AVAILABLE KITS

SIZE	TYPE	KIT NAME / PART NUMBER
1' X 1'	"A"	FRAME/1X1-KIT-A
1' X 1'	"B"	FRAME/1X1-KIT-B
1' X 2'	"A"	FRAME/1X2-KIT-A
1' X 2'	"B"	FRAME/1X2-KIT-B
1' X 4'	"A"	FRAME/1X4-KIT-A
1' X 4'	"B"	FRAME/1X4-KIT-B
2' X 2'	"A"	FRAME/2X2-KIT-A
2' X 2'	"B"	FRAME/2X2-KIT-B
2' X 4'	"A"	FRAME/2X4-KIT-A
2' X 4'	"B"	FRAME/2X4-KIT-B
4' X 4'	"A"	FRAME/4X4-KIT-A

FOCAL POINT, L.L.C. 4201 S. PULASKI RD., CHICAGO, IL., 60632 PHONE: (773) 247-9494 FAX: (773) 247-8484

CONTRACTOR IS RESPONSIBLE FOR ADEQUATELY REINFORCING WALLS AND/OR CEILINGS TO SUPPORT FIXTURE WEIGHT. FOCAL POINT, L.L.C. ACCEPTS NO RESPONSIBILITY FOR INADEQUATELY REINFORCED WALLS AND/OR CEILINGS.



INSTALLATION GUIDE NO.

IS160 p.1 of 2

** FRAME KIT INSTALLATION **

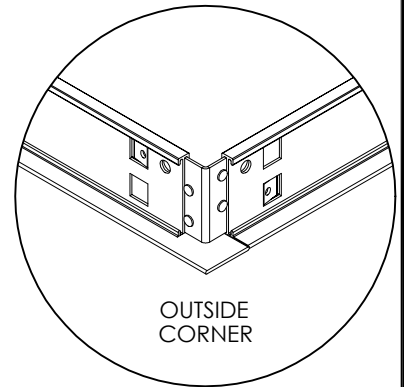
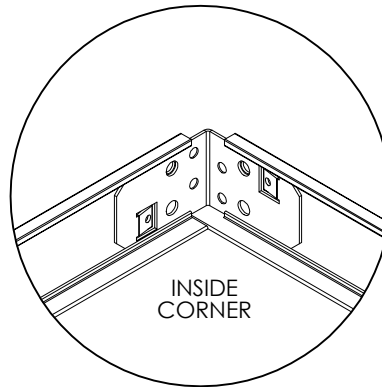
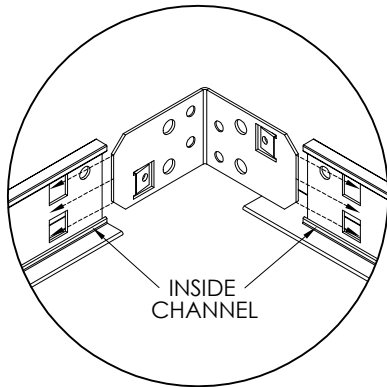
THE FIXTURES ARE INTENDED TO BE INSTALLED BY A QUALIFIED ELECTRICIAN (CHECK WITH LOCAL AND NATIONAL CODES FOR PROPER INSTALLATION). TO PREVENT ELECTRICAL SHOCK, DISCONNECT ELECTRICAL SUPPLY BEFORE INSTALLATION OR SERVICING.

STEP 1: UNLESS OTHERWISE SPECIFIED
ON FIXTURE SPECIFIC INSTRUCTION SHEET

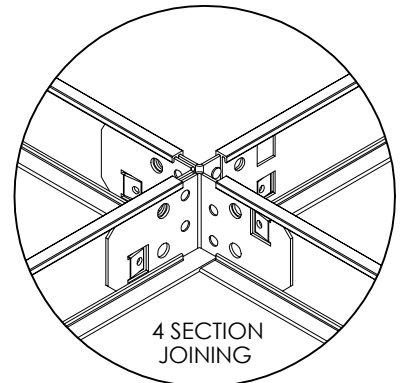
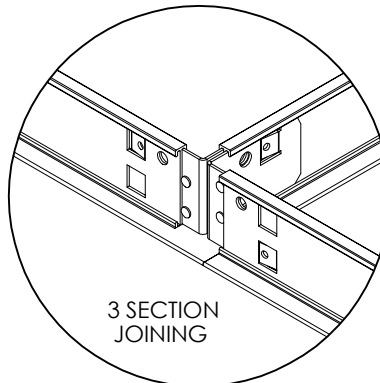
CUT DRYWALL OPENING IN
DESIRED LOCATION TAKING
CAUTION NOT TO EXCEED
MAXIMUM & MINIMUM VALUES
LOCATED ON CHART

CUT-OUT SIZES

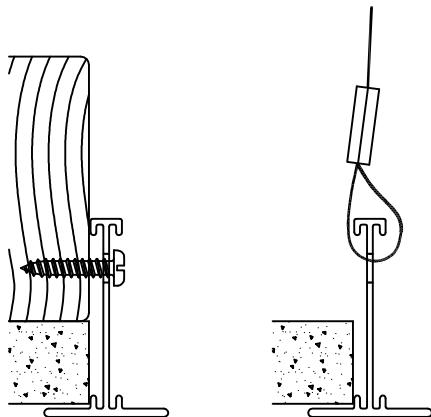
SIZE	MIN	MAX
1'	12-1/4"	12-9/16"
2'	24-1/4"	24-9/16"
4'	48-1/4"	48-9/16"



STEP 2: ASSEMBLE "T" GRID SECTIONS
INTO DESIRED SHAPE OR PATTERN
BY SLIDING UNIVERSAL CORNER
BRACKETS INTO INSIDE CHANNEL
OF "T" GRID SECTIONS. (SEE
ILLUSTRATIONS)



FASTENING METHODS



USING SCREWS

USING WIRE

STEP 3: LIFT AND SECURE FRAME ASSEMBLY
INTO OPENING WITH ONE OF THE
METHODS SHOWN. (NOTE: WHEN
USING SCREWS, THEY MUST BE
SCREWED INTO AN ALTERNATE
STRUCTURAL MEMBER. DO NOT
SCREW DIRECTLY INTO DRYWALL.)

FOCAL POINT, L.L.C. 4201 S. PULASKI RD., CHICAGO, IL., 60632 PHONE: (773) 247-9494 FAX: (773) 247-8484

CONTRACTOR IS RESPONSIBLE FOR ADEQUATELY REINFORCING WALLS AND/OR CEILINGS
TO SUPPORT FIXTURE WEIGHT. FOCAL POINT, L.L.C. ACCEPTS NO RESPONSIBILITY FOR
INADEQUATELY REINFORCED WALLS AND/OR CEILINGS.



INSTALLATION GUIDE NO.

IS160 p.2 of 2