



# Amica 2

## Economical Recessed Luminaire

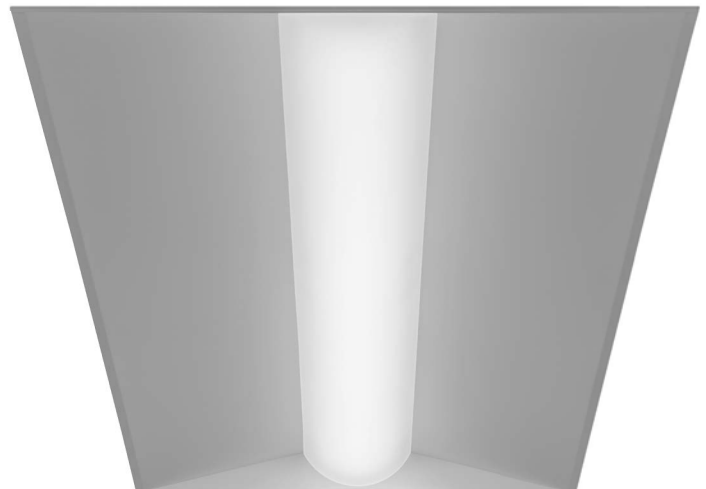
Amica 2 is the next generation of Amica offering even illumination, high efficiency, a broad selection of lumen outputs, and integration with several building control systems, all at a very competitive price point.

The new design accommodates shallow plenum ceilings while maintaining its classic lines, and features superior craftsmanship with a secured ribbed lens and hidden air return vents.

It is the ideal luminaire for large commercial projects such as office buildings, education or healthcare facilities. And it is available fast via our 5-day Quickship program!



2' x 2'



2' x 4'



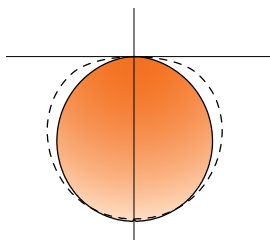


## HIGH PERFORMANCE

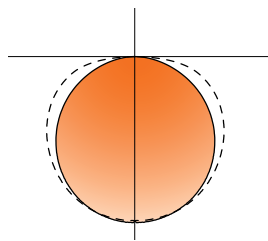
Standard and high lumen outputs meet stringent energy standards.

Size	Delivered Lumens		Tested System Watts	LPW
2' x 2'	2000 Lumens	2000L	17	115†
		2000LH	15	131†
	2500 Lumens	2500L	19	127*
		2500LH	18	132
	3000 Lumens	3000L	23	125*
		3000LH	22	130
3500 Lumens	3500L	28	124*	
	3500LH	27	128	
4000 Lumens	4000L	32	117*	
	4000LH	31	127	
2' x 4'	4000 Lumens	4000L	32	127
		4000LH	30	140
	4500 Lumens	4500L	35	128
		4500LH	34	139
	5000 Lumens	5000L	39	129
		5000LH	38	136
5500 Lumens	5500L	43	127	
	5500LH	42	134	
6000 Lumens	6000L	49	125	
	6000LH	46	133	

Based on 3500K. Lumen output may vary +/- 8%. Actual wattage may vary +/- 5%. †Indicates DLC Standard qualified products. \*Not DLC listed. Visit [designlights.org/OPL](http://designlights.org/OPL) for model specifics.



2' x 2'  
High Performance  
2500 Lumens (2500LH)



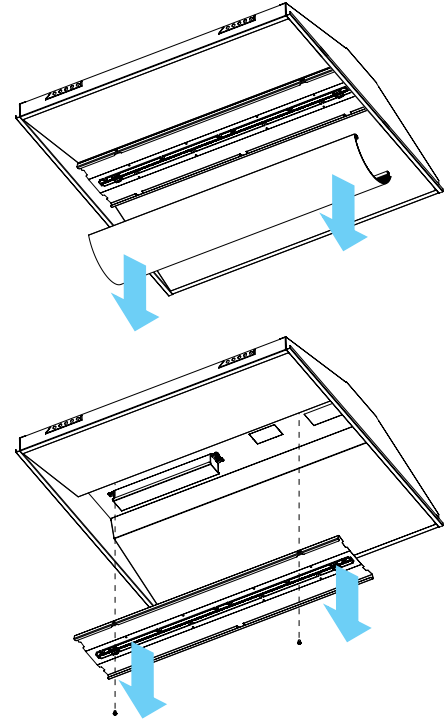
2' x 4'  
High Performance  
4000 Lumens (4000LH)



Ensures consistent delivered lumen outputs as technology upgrades occur, and offers the possibility to custom-program to specific wattages or lumen outputs within the range.

## SUPERIOR DESIGN AND CRAFTSMANSHIP

Below ceiling access ensures easy maintenance of LED boards and drivers. The tight fit of the lens to the angular housing prevents light leak and promotes safety.



## CONNECTED SOLUTIONS

Integrates with wired and wireless building control systems.

