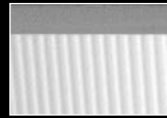


# Amica™ 2x2

LED

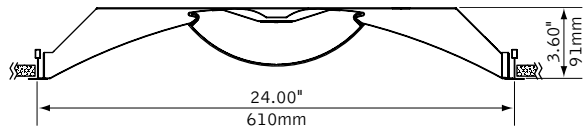


FOCAL POINT®



lens detail

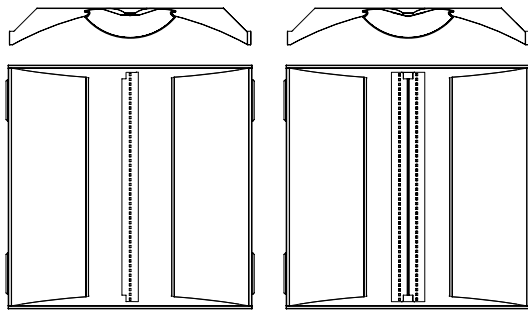
## DIMENSIONAL DATA



### led options

Standard

High Efficiency



## FEATURES

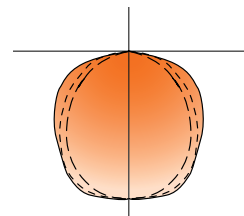
Architectural recessed LED luminaire.

Sweeping curves and classic lines complement architecture.

Amica's center ribbed diffuser masks LED brightness and image to create even illumination.

Amica features a shallow 3.6" housing depth which flies under the radar of most plenum obstructions.

## PERFORMANCE



### PRODUCT OVERVIEW

Lumen Output:	2000-4000lm
Wattage:	19-41W
LPW:	94-105
SDCM:	3
Lumen Maintenance:	L90 @ 114,000hrs

High Performance  
2500 Lumens (2500LH)  
**Delivered Lumens: 2500lm**  
**Total System Watts: 24W**



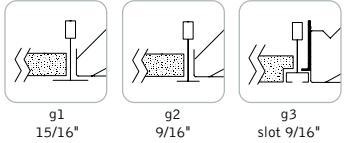
Photometric performance is measured in accordance with IESNA LM-79. Visit [focalpointlights.com](http://focalpointlights.com) for complete photometric data. Visit [designlights.org/QPL](http://designlights.org/QPL) for model specifics.

fixture:

project:

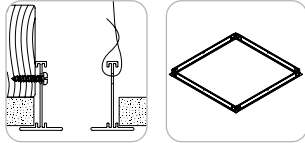
**MOUNTING INFORMATION**

**grid**  
for lay-in grid, specify G1, G2 or G3.



g1  
15/16"
g2  
9/16"
g3  
slot 9/16"

**drywall frame kit**  
specify "DF" Drywall Frame Kit for drywall ceiling conditions.



Use tie-wire or screws to secure frame kit.

cut out dimensions:  
2": Min: 24.25"  
Max: 24.563"

**SPECIFICATIONS**

**LED System**

Proprietary linear LED module incorporates premium LEDs on a robust platform to achieve excellent thermal management. LEDs are placed to promote a uniform appearance. Available in 3000K, 3500K or 4000K with CRI>80, 3 SDCM. 0-10V dimming driver standard. LED modules and drivers are replaceable from below.

**Construction**

One piece 20 Ga. steel reflector and housing. Side access 20 Ga. steel ballast compartment. Positional brackets supplied as standard. Unit weight: 17 lbs.

**Optic**

20 Ga. steel reflectors finished in matte satin white powder coat. .095" thick frosted white acrylic lamp diffusers with linear micro-prism pattern.

**Electrical**

Standard 120-277V driver includes 0-10V analog dimming. Power factor > .9. Optional EcoSystem or forward phase dimming drivers from Lutron available.

**Emergency Battery**

Bodine BSL310-CAN. Emergency output—10 watts for 90 minutes. Grid and Drywall Frame kit mounting only.

**Labels**

UL and cUL Listed. Suitable for Dry or Damp Locations, indoor use only.

**Finish**

Polyester powder coat applied over a 5-stage pre-treatment. Optional Matte Satin White with anti-microbial coating provides 99.99% protection against a broad spectrum of micro-organisms.

**Lumen Maintenance**

Calculated: L90 at 114,000 hours      Reported: L90 at >61,000 hours  
Derived from EPA TM-21 calculator

**Warranty**

LED system rated for operation in ambient environments up to 25°C. 5 year limited warranty.

**PERFORMANCE CHART**

Delivered Lumens		Tested System Watts	LPW
2000 Lumens	2000L	19	105
	2500L	26	96
2500 Lumens	2500LH	24	104
	3000L	32	94
3000 Lumens	3000LH	29	103
	3500L	35	100
3500 Lumens	3500LH	35	100
4000 Lumens	4000LH	41	98

\*Lumen output may vary +/- 5%. Actual wattage may vary +/- 5%

Focal Point LLC reserves the right to change specifications for product improvement without notification.

**ORDERING**

<b>Luminaire Series</b>	Amica LED	<b>FAML</b>
<b>Nominal Size</b>	2' x 2'	<b>22</b>
<b>Shielding</b>	Radial Acrylic Diffuser	<b>ACR</b>
<b>Lumen Output</b>	Standard	
	2000 Lumens	2000L
	2500 Lumens	2500L
	3000 Lumens	3000L
	High Efficiency	
	2500 Lumens	2500LH
	3000 Lumens	3000LH
	3500 Lumens	3500LH
	4000 Lumens	4000LH
<b>Color Temperature</b>		
	3000K	30K
	3500K	35K
	4000K	40K
<b>Circuit</b>	Single Circuit	<b>1C</b>
<b>Voltage</b>		
	120 Volt	120
	277 Volt	277
	UNV Volt	UNV
(Cannot be specified with EM option)		
<b>Driver</b>		
	0-10V - 1% Dimming	L11
	0-10V - 10% Dimming	LD1
	Lutron A-Series	L3D
	1% EcoSystem Digital	
(Consult factory for 3-wire control)		
	Lutron A-Series - Forward Phase	LTE
(120 only) (Grid and drywall mounting only)		
	Step Dimming	SD5
(Grid and drywall mounting only)		
	DALI Dimming	
(Consult factory)		
<b>Mounting</b>		
	24" Aircraft Cable	C24
	48" Aircraft Cable	C48
	96" Aircraft Cable	C96
	15/16" Grid	G1
	9/16" Grid	G2
	9/16" Slot Tee	G3
	Drywall Frame Kit	F
(Cut out dimensions: Min: 24.25"/Max: 24.563")		
	Surface Mount	SM
<b>Factory Options</b>		
	Air Return*	AR
(Overall height for luminaire with Air Return is 4.25")		
	Chicago Plenum	CP
	Emergency Battery Pack with Integral Test Switch	EM
	6' New York City Flex Whip	FNY
	6' Flex Whip	FW
<b>Finish</b>		
	Matte Satin White	WH
	Matte Satin White with Anti-Microbial Coating	WHA



\*For more information visit focalpointlights.com/reference or consult factory. Quickship is a limited offering, visit focalpointlights.com/quickship for specifics.