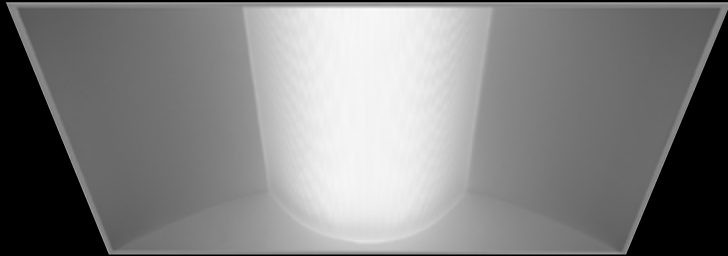


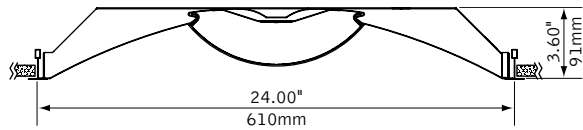
# Amica™ 2x2

LED



lens detail

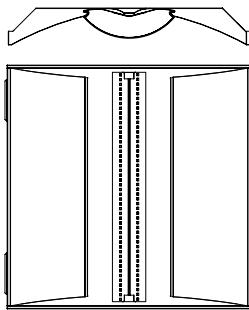
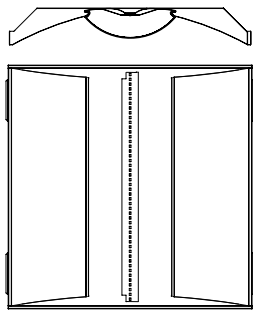
## DIMENSIONAL DATA



### led options

Standard

High Efficiency



1 LED board

2 LED boards

## FEATURES

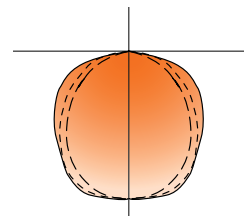
Architectural recessed LED luminaire.

Sweeping curves and classic lines complement architecture.

Amica's center ribbed diffuser masks LED brightness and image to create even illumination.

Amica features a shallow 3.6" housing depth which flies under the radar of most plenum obstructions.

## PERFORMANCE



### PRODUCT OVERVIEW

Lumen Output: 2000-4000lm

Wattage: 19-41W

LPW: 94-105

SDCM: 3

High Performance  
2500 Lumens (2500LH)  
**Delivered Lumens: 2500lm**  
**Total System Watts: 24W**

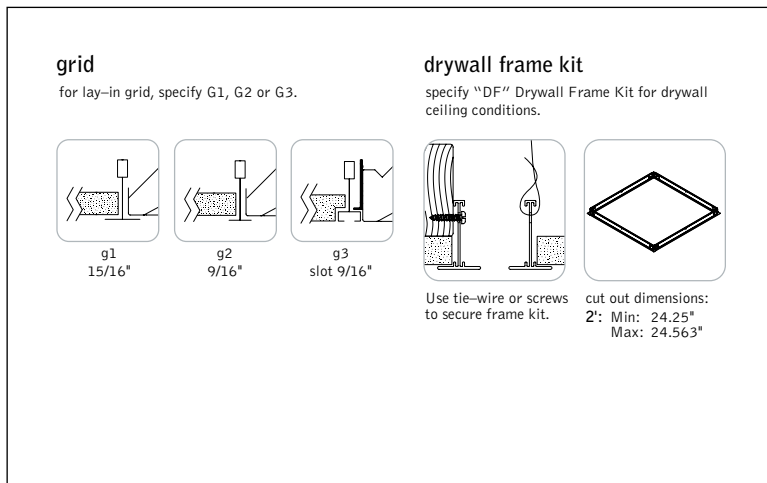


Photometric performance is measured in accordance with IESNA LM-79. Visit [focalpointlights.com](http://focalpointlights.com) for complete photometric data. Visit [designlights.org/QPL](http://designlights.org/QPL) for model specifics.

fixture:

project:

**MOUNTING INFORMATION**



**SPECIFICATIONS**

**LED System**

Proprietary linear LED module incorporates premium LEDs on a robust platform to achieve excellent thermal management. LEDs are placed to promote a uniform appearance. Available in 3000K, 3500K or 4000K with CRI>80, 3 SDCM. 0-10V dimming driver standard. LED modules and drivers are replaceable from below.

**Construction**

One piece 20 Ga. steel reflector and housing. Side access 20 Ga. steel ballast compartment. Positional brackets supplied as standard. Unit weight: 17 lbs.

**Optic**

20 Ga. steel reflectors finished in matte satin white powder coat. .095" thick frosted white acrylic lamp diffusers with linear micro-prism pattern.

**Electrical**

Standard 120-277V driver includes 0-10V analog dimming. Power factor > .9. Optional EcoSystem or forward phase dimming drivers from Lutron available.

**Emergency Battery**

Bodine BSL310-CAN. Emergency output—10 watts for 90 minutes. Grid and Drywall Frame kit mounting only.

**Labels**

UL and cUL Listed. Suitable for Dry or Damp Locations, indoor use only.

**Finish**

Polyester powder coat applied over a 5-stage pre-treatment. Optional Matte Satin White with anti-microbial coating provides 99.99% protection against a broad spectrum of micro-organisms.

**Lumen Maintenance**

Reported: L90 at >61,000 hours      Calculated: L90 at 114,000 hours  
Derived from EPA TM-21 calculator. Based on typical conditions, consult factory for additional data.

**Reliability**

At Focal Point, our products are designed to stand the test of time. Each luminaire is engineered using superior components, manufactured with the utmost care and rigorously tested. Contact us for reliability data.

**Warranty**

LED system rated for operation in ambient environments up to 25°C. 5-year limited warranty.

**PERFORMANCE CHART**

Delivered Lumens		Tested System Watts	LPW
2000 Lumens	2000L	19	105
	2500L	26	96
2500 Lumens	2500LH	24	104
	3000L	32	94
3000 Lumens	3000LH	29	103
	3500L	35	100
4000 Lumens	4000LH	41	98

Lumen output may vary +/- 5%. Actual wattage may vary +/- 5%

Focal Point LLC reserves the right to change specifications for product improvement without notification.

**ORDERING**

<b>Luminaire Series</b>	<b>FAML</b>	<b>FAML</b>
Amica LED	FAML	
<b>Nominal Size</b>	<b>22</b>	<b>22</b>
2' x 2'	22	
<b>Shielding</b>	<b>ACR</b>	<b>ACR</b>
Radial Acrylic Diffuser	ACR	
<b>Lumen Output</b>		
Standard		
2000 Lumens	2000L	
2500 Lumens	2500L	
3000 Lumens	3000L	
High Efficiency		
2500 Lumens	2500LH	
3000 Lumens	3000LH	
3500 Lumens	3500LH	
4000 Lumens	4000LH	
<b>Color Temperature</b>		
3000K	30K	
3500K	35K	
4000K	40K	
<b>Circuit</b>	<b>1C</b>	<b>1C</b>
Single Circuit	1C	
<b>Voltage</b>		
120 Volt	120	
277 Volt	277	
UNV Volt	UNV	
<b>Control System &amp; Dimming Level</b>		
0-10V - 1% Dimming	L11	
0-10V - 10% Dimming	LD1	
Lutron A-Series		
1% EcoSystem Digital	L3D	
Lutron Hi-Lume - Forward Phase -		
1% Dimming	LTE	
(120 only) (Grid and drywall mounting only)		
Step Dimming	SD5	
(Grid and drywall mounting only)		
DALI - 1% Dimming	D11	
(Consult factory)		
<b>Mounting</b>		
24" Aircraft Cable	C24	
48" Aircraft Cable	C48	
96" Aircraft Cable	C96	
15/16" Grid	G1	
9/16" Grid	G2	
9/16" Slot Tee	G3	
Drywall Frame Kit	F	
(Cut out dimensions: Min: 24.25"/Max: 24.563")		
Surface Mount	SM	
<b>Factory Options</b>		
Air Return	AR	
(Overall height for luminaire with Air Return is 4.25")		
Chicago Plenum	CP	
Emergency Battery Pack with Integral Test Switch	EM	
6' New York City Flex Whip	FNY	
6' Flex Whip	FW	
<b>Finish</b>		
Matte Satin White	WH	
Matte Satin White with Anti-Microbial Coating	WHA	



Options in orange qualify for the Quickship program. 5-day up to 100 pieces, 10-day up to 300 pieces. Refer to Quickship Guide for complete details.

For more information visit focalpointlights.com/reference or consult factory.