

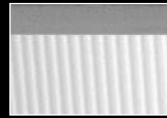
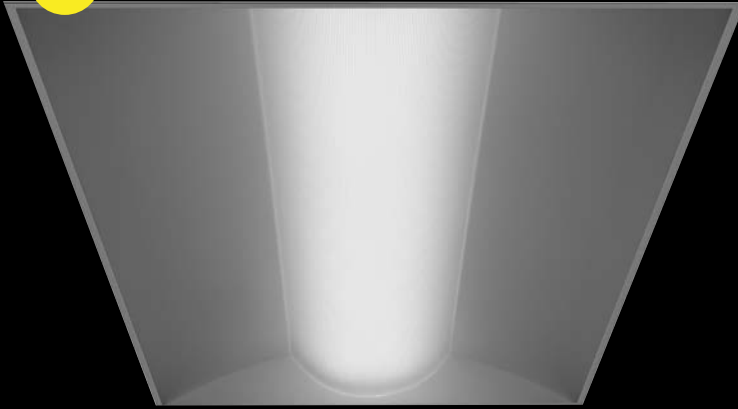
Amica™ 2x4

LED



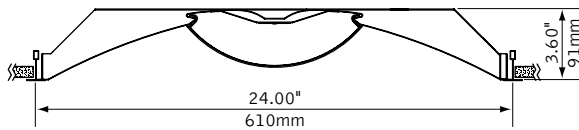
FOCAL POINT®

RL



lens detail

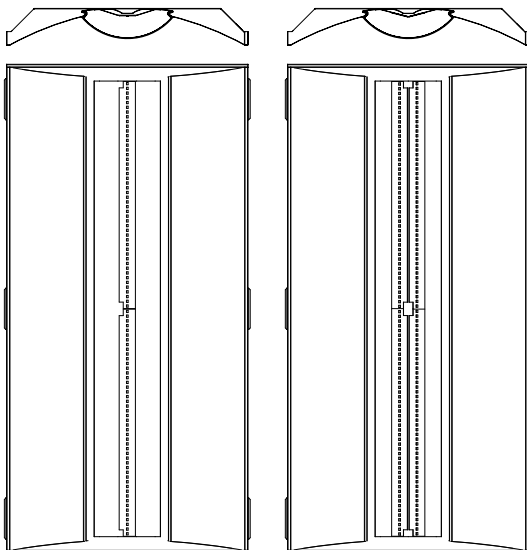
DIMENSIONAL DATA



led options

Standard

High Efficiency



FEATURES

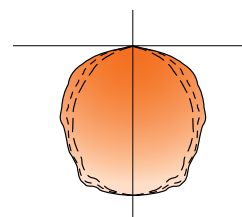
Architectural recessed LED luminaire.

Sweeping curves and classic lines complement architecture.

Amica's center ribbed diffuser masks LED brightness and image to create even illumination.

Amica features a shallow 3.6" housing depth which flies under the radar of most plenum obstructions.

PERFORMANCE



PRODUCT OVERVIEW

Lumen Output:	4000-6000lm
Wattage:	37-54W
LPW:	102-118
SDCM:	3
Lumen	L90 @
Maintenance:	114,000hrs

High Performance
5000 Lumens (5000LH)
Delivered Lumens: 5000lm
Total System Watts: 44W



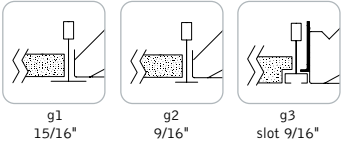
Photometric performance is measured in accordance with IESNA LM-79. Visit focalpointlights.com for complete photometric data. Visit designlights.org/QPL for model specifics.

fixture:

project:

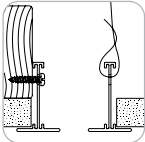
MOUNTING INFORMATION

grid
for lay-in grid, specify G1, G2 or G3.



g1
15/16"
g2
9/16"
g3
slot 9/16"

drywall frame kit
specify "DF" Drywall Frame Kit for drywall ceiling conditions.



Use tie-wire or screws to secure frame kit.

cut out dimensions:
2': Min: 24.25"
Max: 24.563"
4': Min: 48.25"
Max: 48.563"

SPECIFICATIONS

LED System

Proprietary linear LED module incorporates premium LEDs on a robust platform to achieve excellent thermal management. LEDs are placed to promote a uniform appearance. Available in 3000K, 3500K or 4000K with CRI>80, 3 SDCM. 0-10V dimming driver standard. LED modules and drivers are replaceable from below.

Construction

One piece 20 Ga. steel reflector and housing. Side access 20 Ga. steel ballast compartment. Positional brackets supplied as standard. Unit weight: 25 lbs.

Optic

20 Ga. steel reflectors finished in matte satin white powder coat. .095" thick frosted white acrylic lamp diffusers with linear micro-prism pattern.

Electrical

Standard 120-277V driver includes 0-10V analog dimming. Power factor > .9. Optional EcoSystem or forward phase dimming drivers from Lutron available.

Emergency Battery

Bodine BSL310-CAN. Emergency output—10 watts for 90 minutes. Grid and Drywall Frame kit mounting only.

Labels

UL and cUL Listed. Suitable for Dry or Damp Locations, indoor use only.

Finish

Polyester powder coat applied over a 5-stage pre-treatment. Optional Matte Satin White with anti-microbial coating provides 99.99% protection against a broad spectrum of micro-organisms.

Lumen Maintenance

Calculated: L90 at 114,000 hours Reported: L90 at >61,000 hours
Derived from EPA TM-21 calculator

Warranty

LED system rated for operation in ambient environments up to 25°C. 5 year limited warranty.

PERFORMANCE CHART

	Delivered Lumens	Tested System Watts	LPW
4000 Lumens	4000L	37	108
	4000LH	34	118
4500 Lumens	4500L	43	105
	4500LH	39	115
5000 Lumens	5000L	48	104
	5000LH	44	114
5500 Lumens	5500L	54	102
	5500LH	48	115
6000 Lumens	6000L	54	111
	6000LH	54	111

*Lumen output may vary +/- 5%. Actual wattage may vary +/- 5%

ORDERING

Luminaire Series	Amica LED	FAML
Nominal Size	2' x 4'	24
Shielding	Radial Acrylic Diffuser	ACR
Lumen Output	Standard	
	4000 Lumens	4000L
	4500 Lumens	4500L
	5000 Lumens	5000L
	5500 Lumens	5500L
	6000 Lumens	6000L
High Efficiency		
	4000 Lumens	4000LH
	4500 Lumens	4500LH
	5000 Lumens	5000LH
	5500 Lumens	5500LH
	6000 Lumens	6000LH
Color Temperature		
	3000K	30K
	3500K	35K
	4000K	40K
Circuit		1C
	Single Circuit	1C
Voltage		
	120 Volt	120
	277 Volt	277
	UNV Volt	UNV
	<small>(Cannot be specified with EM option)</small>	
Driver		
	0-10V - 1% Dimming	L11
	0-10V - 10% Dimming	LD1
	Lutron A-Series	L3D
	1% EcoSystem Digital	
	<small>5000 Lumens and higher: (2) drivers supplied, (2) EcoSystem addresses consumed (Consult factory for 3-wire control)</small>	
	Lutron A-Series - Forward Phase	LTE
	<small>5000 Lumens and higher: (2) drivers supplied, (2) loads consumed (120 only) (Grid and drywall mounting only)</small>	
	Step Dimming	SD5
	<small>(Grid and drywall mounting only)</small>	
	DALI Dimming	
	<small>(Consult factory)</small>	
Mounting		
	24" Aircraft Cable	C24
	48" Aircraft Cable	C48
	96" Aircraft Cable	C96
	15/16" Grid	G1
	9/16" Grid	G2
	9/16" Slot Tee	G3
	Drywall Frame Kit	F
	<small>(Cut out dimensions: Min: 24.25"/Max: 24.563" Min: 48.25"/Max: 48.563")</small>	
	Surface Mount	SM
Factory Options		
	Air Return*	AR
	<small>(Overall height for luminaire with Air Return is 4.25")</small>	
	Chicago Plenum	CP
	Emergency Battery Pack with Integral Test Switch	EM
	6' New York City Flex Whip	FNY
	6' Flex Whip	FW
Finish		
	Matte Satin White	WH
	Matte Satin White with Anti-Microbial Coating	WHA

