

aerion[®] led

FARL 1x4 | 2x2 | 2x4

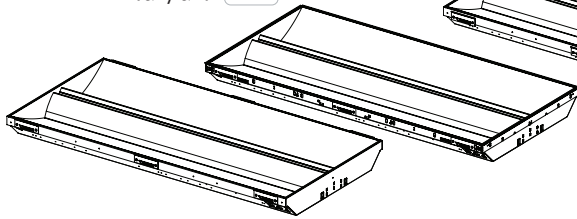


FOCAL POINT[™]

⚠️ AVOID ALL CONTACT WITH LED SURFACE, LEDs ARE EASILY DAMAGED!

FOCAL POINT

FLAT TEE (G1, G2)



SLOT TEE (G3)



AIR RETURN (AR)

KEY



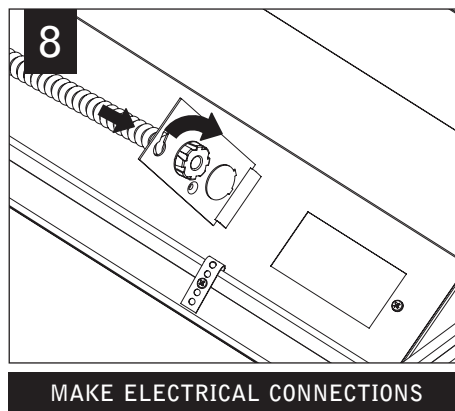
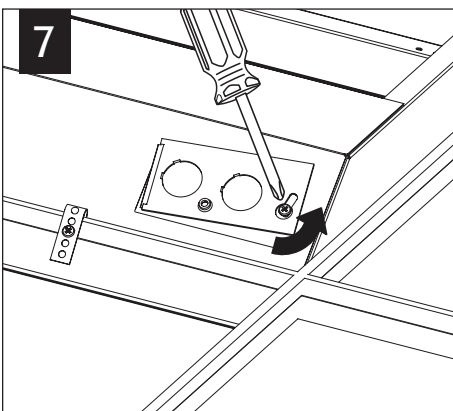
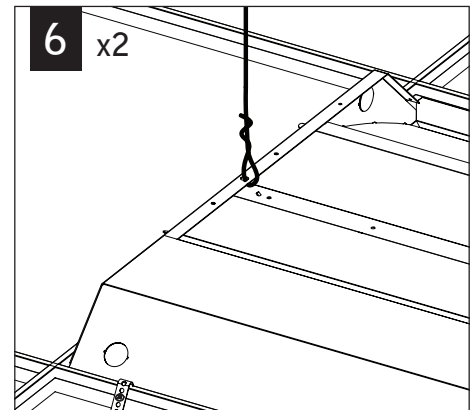
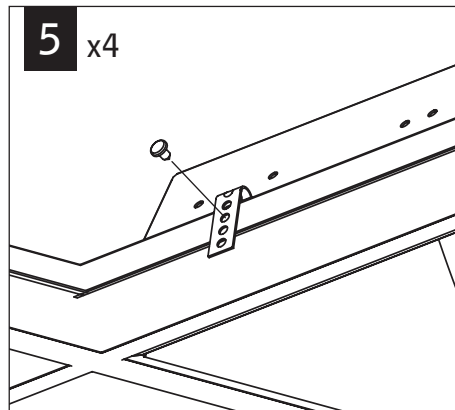
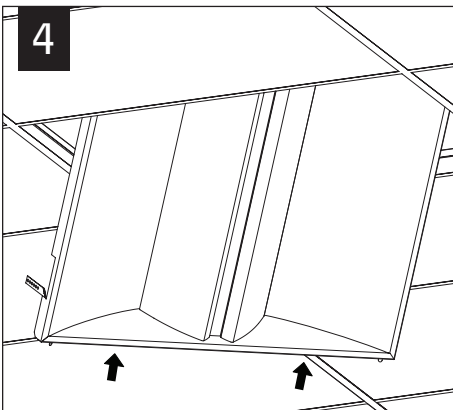
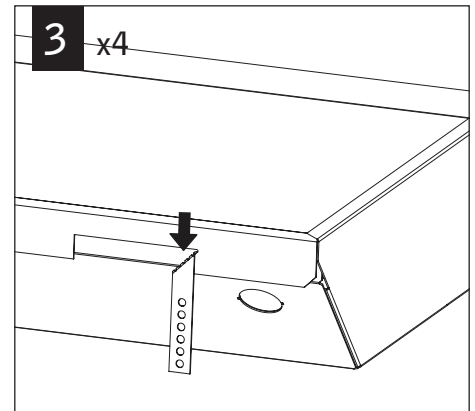
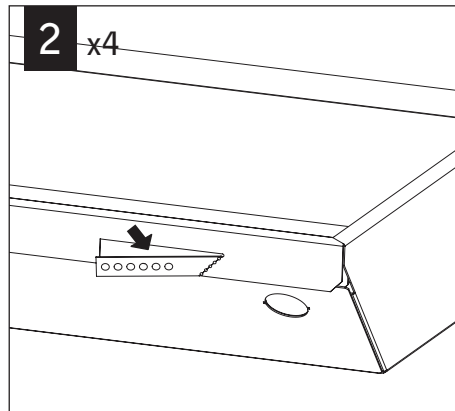
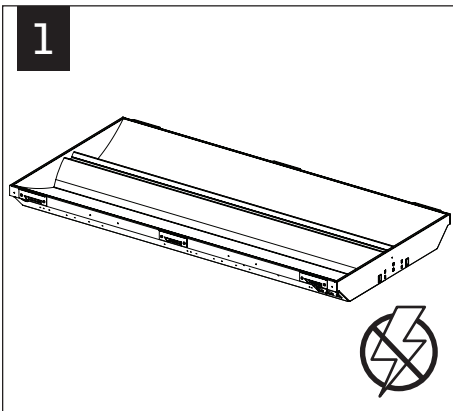
POWER OFF



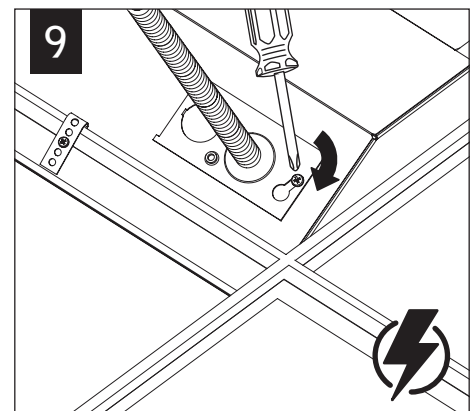
POWER ON



ATTENTION

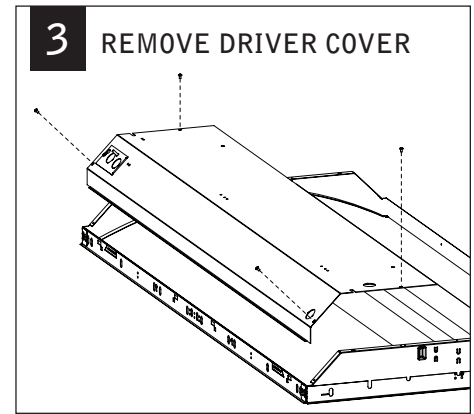
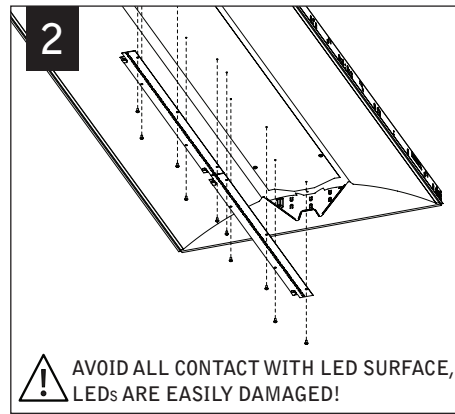
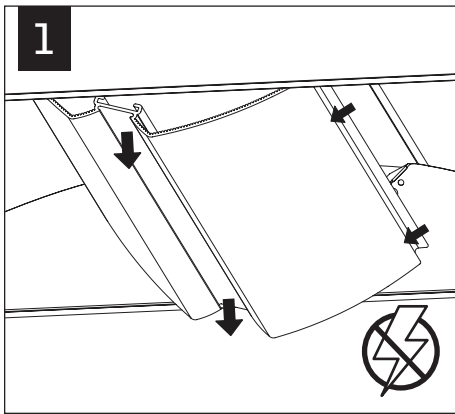


MAKE ELECTRICAL CONNECTIONS

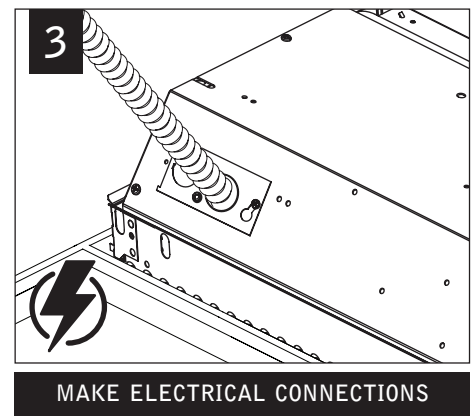
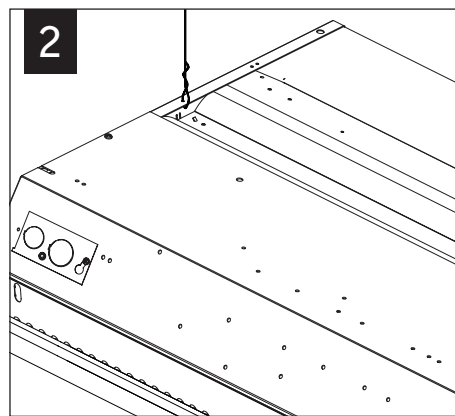
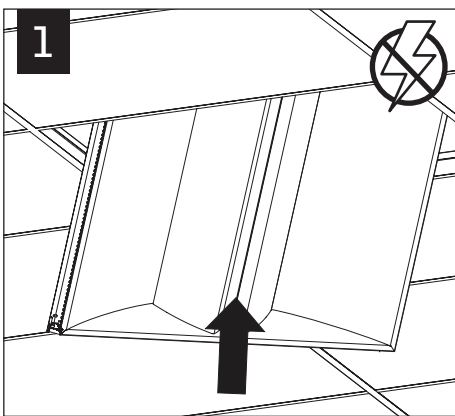


Fixtures must be installed by a qualified electrician (check with local and national codes for proper installation).
To prevent electrical shock, disconnect electrical supply before installation or servicing.

SERVICE



AIR RETURN INSTALLATION



EMERGENCY

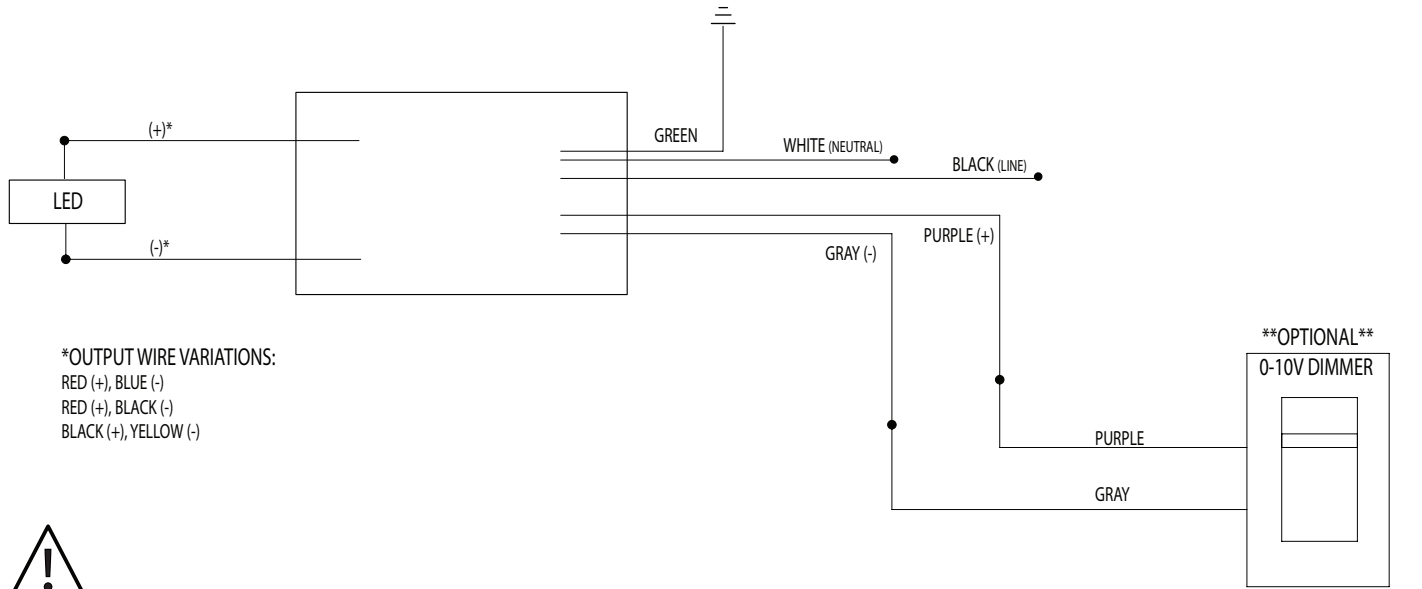


SEE BATTERY MANUFACTURER
INSTRUCTIONS

EMERGENCY MAXIMUM MOUNTING HEIGHT:
16.00'

Fixtures must be installed by a qualified electrician (check with local and national codes for proper installation).
To prevent electrical shock, disconnect electrical supply before installation or servicing.

0-10V DIMMING & NON-DIMMING STANDARD WIRING



REFERENCE DRIVER MANUFACTURER'S SPEC SHEETS FOR DRIVER SPECIFIC WIRING DIAGRAMS.
 EMERGENCY LUMINAIRES WIRED ACCORDING TO BATTERY MANUFACTURER'S INSTRUCTIONS.

(individually capped at factory
 for non-dimming applications)
 (if capped together, fixture will
 automatically dim to lowest setting)