

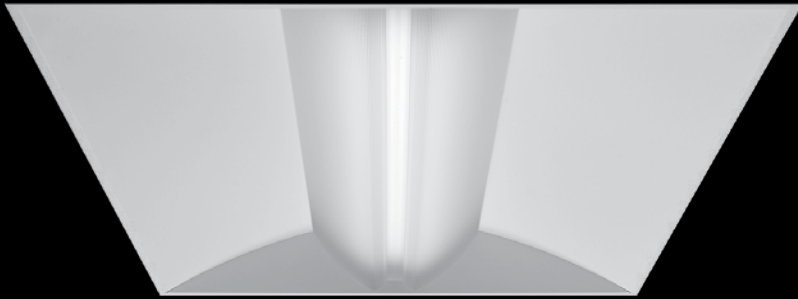
Aerion® 2x2

LED



FOCAL POINT®

RL



standard diffuser



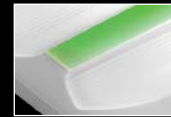
round accent strip



square accent strip



red insert

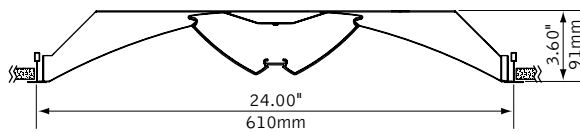


green insert



blue insert

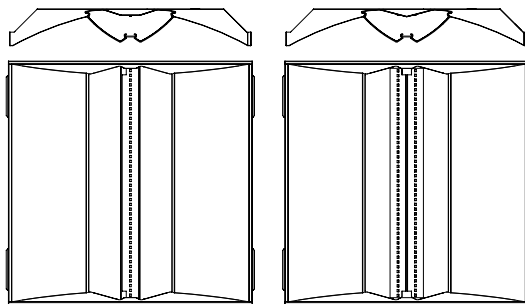
DIMENSIONAL DATA



led options

Standard

High Efficiency



FEATURES

Architectural recessed LED luminaire.

Aerion's sweeping curves and contemporary lines compliment architecture.

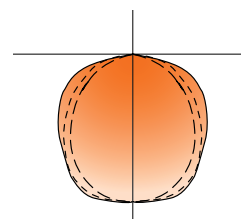
Aerion's center lamp chamber provides minimal contrast between the diffuser and side reflectors creating even illumination and comfort.

Aerion features a shallow 3.6" housing depth which flies under the radar of most plenum obstructions.

Stylized sloped endcaps highlight Aerion's distinctive look.

Acrylic diffuser has been designed with an upper and lower track that accepts individual or combinations of accent strips.

PERFORMANCE



High Performance
2500 Lumens (2500LH)
Delivered Lumens:2500lm
Total System Watts: 24W

PRODUCT OVERVIEW

Lumen Output: 2000-4000lm
Wattage: 19-41W
LPW: 94-105
SDCM: 3
Lumen Maintenance: L90 @ 114,000hrs



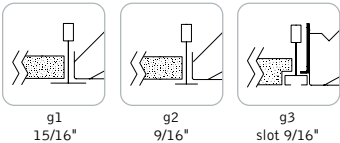
Photometric performance is measured in accordance with IESNA LM-79. Visit focalpointlights.com for complete photometric data. Visit designlights.org/QPL for model specifics.

fixture:

project:

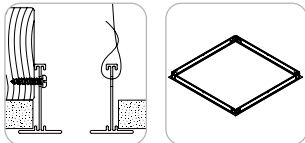
MOUNTING INFORMATION

grid
for lay-in grid, specify G1, G2 or G3.



g1
15/16"
g2
9/16"
g3
slot 9/16"

drywall frame kit
specify "DF" Drywall Frame Kit for drywall ceiling conditions.



Use tie-wire or screws to secure frame kit.

cut out dimensions:
2": Min: 24.25"
Max: 24.563"

SPECIFICATIONS

LED System

Proprietary linear LED module incorporates premium LEDs on a robust platform to achieve excellent thermal management. LEDs are placed to promote a uniform appearance. Available in 3000K, 3500K or 4000K with CRI>80, 3SDCM. 0-10V dimming driver standard. LED modules are replaceable from below.

Construction

One piece 20 Ga. steel reflector and housing. Side access 20 Ga. steel ballast compartment. Positional brackets supplied as standard. Unit weight: 17 lbs.

Optic

20 Ga. steel reflectors finished in matte satin white powder coat. .095" thick frosted white acrylic lamp diffusers with linear micro-prism pattern. Optional .020" thick acrylic accent strip available in round or square pattern.

Electrical

Standard 120-277V driver includes 0-10V analog dimming. Power factor > .9. Optional EcoSystem or forward phase dimming drivers from Lutron available.

Emergency Battery

Bodine BSL310-CAN. Emergency output—10 watts for 90 minutes. Grid and Drywall Frame kit mounting only.

Labels

UL and cUL Listed. Suitable for Dry or Damp Locations, indoor use only.

Finish

Polyester powder coat applied over a 5-stage pre-treatment. Optional Matte Satin White with anti-microbial coating provides 99.99% protection against a broad spectrum of micro-organisms.

Lumen Maintenance

Calculated: L90 at 114,000 hours Reported: L90 at >61,000 hours
Derived from EPA TM-21 calculator

Warranty

LED system rated for operation in ambient environments up to 25°C. 5 year limited warranty.

PERFORMANCE CHART

Delivered Lumens		Tested System Watts	LPW
2000 Lumens	2000L	19	105
	2500L	26	96
2500 Lumens	2500LH	24	104
	3000L	32	94
3000 Lumens	3000LH	29	103
	3500L	35	100
4000 Lumens	4000LH	41	98

*Lumen output may vary +/- 5%. Actual wattage may vary +/- 5%

Focal Point LLC reserves the right to change specifications for product improvement without notification.

ORDERING

Luminaire Series	FARL	FARL
Aerion LED	FARL	
Nominal Size	22	22
2' x 2'	22	
Shielding		
Acrylic Diffuser	AC	
Acrylic Diffuser with Round Accent Strip	RA	
Acrylic Diffuser with Square Accent Strip	SA	
Optional Color Inserts <small>(Leave blank for no color)</small>		
Red	R	
Green	G	
Blue	B	
Lumen Output		
Standard		
2000 Lumens	2000L	
2500 Lumens	2500L	
3000 Lumens	3000L	
High Efficiency		
2500 Lumens	2500LH	
3000 Lumens	3000LH	
3500 Lumens	3500LH	
4000 Lumens	4000LH	
Color Temperature		
3000K	30K	
3500K	35K	
4000K	40K	
Circuit		1C
Single Circuit	1C	
Voltage		
120 Volt	120	
277 Volt	277	
UNV Volt	UNV	
<small>(Cannot be specified with EM option)</small>		
Driver		
0-10V - 1% Dimming	L11	
0-10V - 10% Dimming	LD1	
Lutron A-Series	L3D	
1% EcoSystem Digital <small>(Consult factory for 3-wire control)</small>		
Lutron A-Series - Forward Phase <small>(120 only) (Grid and drywall mounting only)</small>	LTE	
Step Dimming <small>(Grid and drywall mounting only)</small>	SD5	
DALI Dimming <small>(Consult factory)</small>		
Mounting		
24" Aircraft Cable	C24	
48" Aircraft Cable	C48	
96" Aircraft Cable	C96	
15/16" Grid	G1	
9/16" Grid	G2	
9/16" Slot Tee	G3	
Drywall Frame Kit <small>(Cut out dimensions: Min: 24.25"/Max: 24.563")</small>	F	
Surface Mount	SM	
Factory Options		
Air Return <small>(Overall height for luminaire with Air Return is 4.25")</small>	AR	
Chicago Plenum	CP	
Emergency Battery Pack with Integral Test Switch	EM	
6' New York City Flex Whip	FNY	
6' Flex Whip	FW	
Finish		
Matte White Housing	WH	
Matte Satin White with Anti-Microbial Coating	WHA	



*For more information visit focalpointlights.com/reference or consult factory. Quickship is a limited offering, visit focalpointlights.com/quickship for specifics.

Aerion[®] 2x2

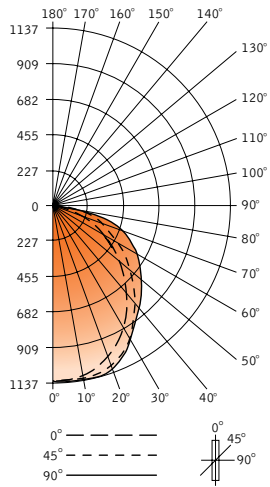
LED

FARL-22-AC-2500LH-35K-L11-120-WH

Filename: FARL22AC2500LH35L.IES
 Test #: 17010.0

Lumens: 2525lm
 System Watts: 24W
 LPW: 105

CANDLEPOWER DISTRIBUTION



Vertical Angle	Horizontal Angle				
	0°	22.5°	45°	67.5°	90°
0°	977	977	977	977	977
5°	964	976	966	957	957
15°	913	909	870	842	835
25°	816	792	744	729	731
35°	680	651	630	652	670
45°	524	505	525	582	612
55°	375	371	423	501	537
65°	246	249	317	399	437
75°	122	140	205	279	314
85°	34	42	71	87	90
90°	0	0	0	0	0
95°	0	0	0	0	0
105°	0	0	0	0	0
115°	0	0	0	0	0
125°	0	0	0	0	0
135°	0	0	0	0	0
145°	0	0	0	0	0
155°	0	0	0	0	0
165°	0	0	0	0	0
175°	0	0	0	0	0
180°	0	0	0	0	0

LUMEN SUMMARY

Zone	Lumens	% Fixture
0-30°	687	27.2
0-40°	1095	73.4
0-60°	1908	75.5
0-90°	2525	100.0
Total Luminaire 0-180°	2525	100.0

LUMINANCE DATA (CD/M²)

Vertical Angle	Horizontal Angle		
	0°	45°	90°
45°	2210	2210	2579
55°	1946	2197	2790
65°	1735	2233	3081
75°	1399	2363	3612
85°	1145	2437	3078

Go to www.focalpointlights.com for additional photometric data.