

standard diffuser



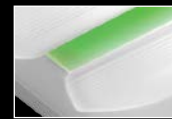
round accent strip



square accent strip



red insert

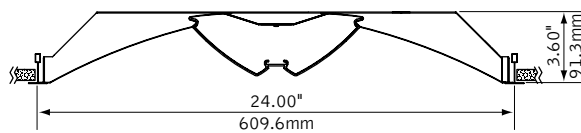


green insert



blue insert

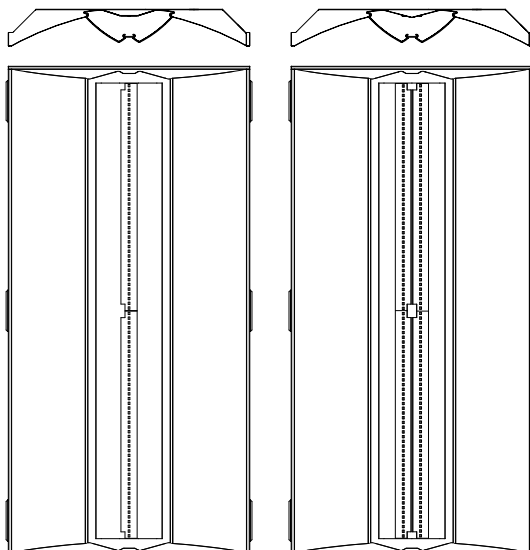
## DIMENSIONAL DATA



### led options

Standard

High Efficiency



## FEATURES

Architectural recessed LED luminaire.

Aerion's sweeping curves and contemporary lines compliment architecture.

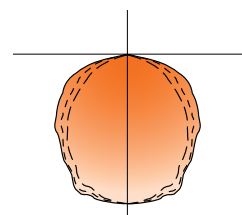
Aerion's center lamp chamber provides minimal contrast between the diffuser and side reflectors creating even illumination and comfort.

Aerion features a shallow 3.6" housing depth which flies under the radar of most plenum obstructions.

Stylized sloped endcaps highlight Aerion's distinctive look.

Acrylic diffuser has been designed with an upper and lower track that accepts individual or combinations of accent strips.

## PERFORMANCE



High Performance  
5000 Lumens (5000LH)  
**Delivered Lumens: 5000lm**  
**Total System Watts: 44W**

### PRODUCT OVERVIEW

Lumen Output: 4000-6000lm  
Wattage: 34-54W  
LPW: 102-118  
SDCM: 3  
Lumen Maintenance: L90 @ 114,000hrs

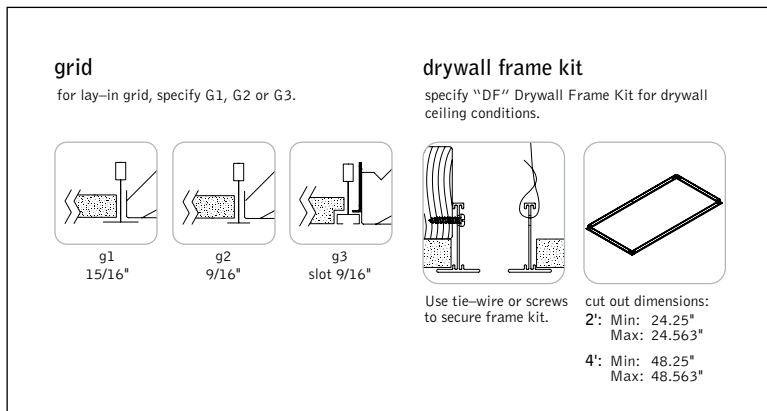


Photometric performance is measured in accordance with IESNA LM-79. Visit [focalpointlights.com](http://focalpointlights.com) for complete photometric data. Visit [designlights.org/QPL](http://designlights.org/QPL) for model specifics.

fixture:

project:

**MOUNTING INFORMATION**



**SPECIFICATIONS**

**LED System**

Proprietary linear LED module incorporates premium LEDs on a robust platform to achieve excellent thermal management. LEDs are placed to promote a uniform appearance. Available in 3000K, 3500K or 4000K with CRI>80, 3 SDCM. 0-10V dimming driver standard. LED modules are replaceable from below.

**Construction**

One piece 20 Ga. steel reflector and housing. Side access 20 Ga. steel ballast compartment. Positional brackets supplied as standard. Unit weight: 25 lbs.

**Optic**

20 Ga. steel reflectors finished in matte satin white powder coat. .095" thick frosted white acrylic lamp diffusers with linear micro-prism pattern. Optional .020" thick acrylic accent strip available in round or square pattern.

**Electrical**

Standard 120-277V driver includes 0-10V analog dimming. Power factor > .9. Optional EcoSystem or forward phase dimming drivers from Lutron available.

**Emergency Battery**

Bodine BSL310-CAN. Emergency output—10 watts for 90 minutes. Grid and Drywall Frame kit mounting only.

**Labels**

UL and cUL Listed. Suitable for Dry or Damp Locations, indoor use only.

**Finish**

Polyester powder coat applied over a 5-stage pre-treatment. Optional Matte Satin White with anti-microbial coating provides 99.99% protection against a broad spectrum of micro-organisms.

**Lumen Maintenance**

Calculated: L90 at 114,000 hours      Reported: L90 at >61,000 hours  
Derived from EPA TM-21 calculator

**Warranty**

LED system rated for operation in ambient environments up to 25°C. 5 year limited warranty.

**PERFORMANCE CHART**

Delivered Lumens		Tested System Watts	LPW
4000 Lumens	4000L	37	108
	4000LH	34	118
4500 Lumens	4500L	43	105
	4500LH	39	115
5000 Lumens	5000L	48	104
	5000LH	44	114
5500 Lumens	5500L	54	102
	5500LH	48	115
6000 Lumens	6000LH	54	111

\*Lumen output may vary +/- 5%. Actual wattage may vary +/- 5%  
Focal Point LLC reserves the right to change specifications for product improvement without notification.

**ORDERING**

Luminaire Series	FARL
Aerion LED	FARL
<b>Nominal Size</b>	<b>24</b>
2' x 4'	24
<b>Shielding</b>	
Acrylic Diffuser	AC
Acrylic Diffuser with Round Accent Strip	RA
Acrylic Diffuser with Square Accent Strip	SA
<b>Optional Color Inserts</b>	
(Leave blank for no color)	
Red	R
Green	G
Blue	B
<b>Lumen Output</b>	
Standard	
4000 Lumens	4000L
4500 Lumens	4500L
5000 Lumens	5000L
5500 Lumens	5500L
High Efficiency	
4000 Lumens	4000LH
4500 Lumens	4500LH
5000 Lumens	5000LH
5500 Lumens	5500LH
6000 Lumens	6000LH
<b>Color Temperature</b>	
3000K	30K
3500K	35K
4000K	40K
<b>Circuit</b>	<b>1C</b>
Single Circuit	1C
<b>Voltage</b>	
120 Volt	120
277 Volt	277
UNV Volt	UNV
(Cannot be specified with EM option)	
<b>Driver</b>	
0-10V - 1% Dimming	L11
0-10V - 10% Dimming	LD1
Lutron A-Series	L3D
1% EcoSystem Digital	
5000 Lumens and higher: (2) drivers supplied, (2) EcoSystem addresses consumed (Consult factory for 3-wire control)	
Lutron A-Series - Forward Phase	LTE
5000 Lumens and higher: (2) drivers supplied, (2) loads consumed (120 only) (Grid and drywall mounting only)	
Step Dimming	SD5
(Grid and drywall mounting only)	
DALI Dimming	
(Consult factory)	
<b>Mounting</b>	
24" Aircraft Cable	C24
48" Aircraft Cable	C48
96" Aircraft Cable	C96
15/16" Grid	G1
9/16" Grid	G2
9/16" Slot Tee	G3
Drywall Frame Kit	F
(Cut out dimensions: Min: 24.25"/Max: 24.563" Min: 48.25"/Max: 48.563")	
Surface Mount	SM
<b>Factory Options</b>	
Air Return	AR
(Overall height for luminaire with Air Return is 4.26")	
Chicago Plenum	CP
Emergency Battery Pack with Integral Test Switch	EM
6' New York City Flex Whip	FNY
6' Flex Whip	FW
<b>Finish</b>	
Matte White Housing	WH
Matte Satin White with Anti-Microbial Coating	WHA



\*For more information visit focalpointlights.com/reference or consult factory. Quickship is a limited offering, visit focalpointlights.com/quickship for specifics.

# Aerion<sup>®</sup> 2x4

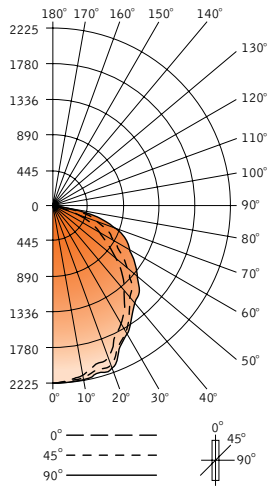
LED

## FARL-24-AC-5000LH-35K-L11-120-WH

Filename: FARL24AC5000LH35K.IES  
 Test #: 17052.0

Lumens: 4995lm  
 System Watts: 44W  
 LPW: 114

### CANDLEPOWER DISTRIBUTION



Vertical Angle	Horizontal Angle				
	0°	22.5°	45°	67.5°	90°
0°	1675	1675	1675	1675	1675
5°	1671	1669	1668	1675	1679
15°	1601	1611	1635	1662	1672
25°	1463	1486	1528	1556	1565
35°	1256	1288	1336	1368	1380
45°	1003	1038	1104	1164	1188
55°	739	779	875	974	1013
65°	479	528	652	778	826
75°	247	303	429	533	564
85°	62	101	124	121	118
90°	0	0	0	0	0
95°	0	0	0	0	0
105°	0	0	0	0	0
115°	0	0	0	0	0
125°	0	0	0	0	0
135°	0	0	0	0	0
145°	0	0	0	0	0
155°	0	0	0	0	0
165°	0	0	0	0	0
175°	0	0	0	0	0
180°	0	0	0	0	0

### LUMEN SUMMARY

Zone	Lumens	% Fixture
0-30°	1321	26.4
0-40°	2151	43.1
0-60°	3786	75.8
0-90°	4995	100.0
<b>Total Luminaire 0-180°</b>	<b>4995</b>	<b>100.0</b>

### LUMINANCE DATA (CD/M<sup>2</sup>)

Vertical Angle	Horizontal Angle		
	0°	45°	90°
45°	2038	2242	2412
55°	1850	2190	2536
65°	1628	2216	2808
75°	1372	2383	3130
85°	1028	2047	1944

Go to [www.focalpointlights.com](http://www.focalpointlights.com) for additional photometric data.