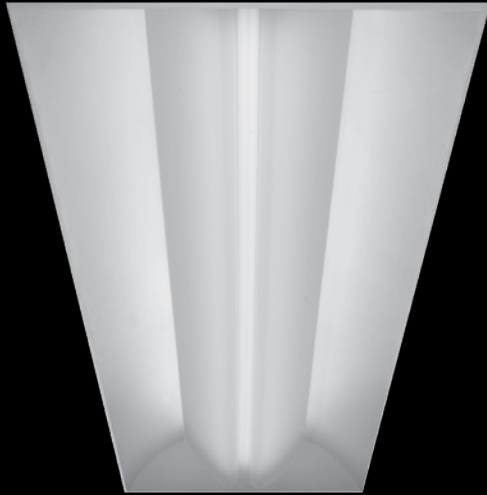


Aerion® 1x4

FLUORESCENT



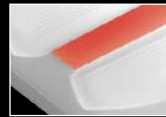
Standard Diffuser



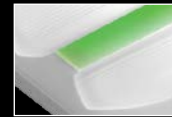
Round Accent Strip



Square Accent Strip



Red Insert

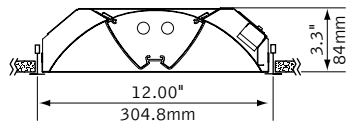


Green Insert



Blue Insert

DIMENSIONAL DATA



Overall height for luminaire with Air Return is 3.96"

lamping options



T5/T5HO LAMPS

FEATURES

High efficiency architectural recessed fluorescent luminaire.

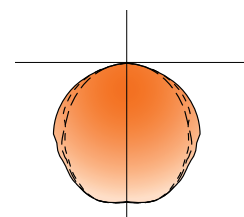
Aerion's sweeping curves and contemporary lines compliment architecture.

Aerion's center lamp chamber provides minimal contrast between the diffuser and side reflectors creating even illumination and comfort.

Aerion features a shallow 3.3" housing depth which flies under the radar of most plenum obstructions.

The lamp diffuser has been designed with an upper and lower track that accepts individual or combinations of accent strips.

PERFORMANCE



2-Lamp T5
73% Efficient
1513 cd @ 10°

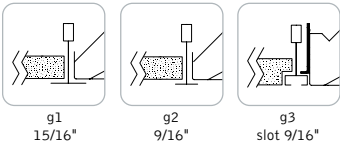
PRODUCT OVERVIEW

Lumen Output: 3349-7300lm
Wattage: 33-120W
Lamping: T5, T5HO

Visit focalpointlights.com for complete photometric data.

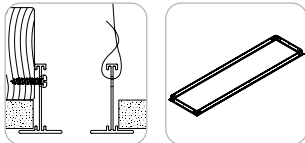
MOUNTING INFORMATION

grid
for lay-in grid, specify G1, G2 or G3.



g1
15/16"
g2
9/16"
g3
slot 9/16"

drywall frame kit
specify "F" Drywall Frame Kit for drywall ceiling conditions.



Use tie-wire or screws to secure frame kit.

cut out dimensions:
1': Min: 12.25"
 Max: 12.563"
4': Min: 48.25"
 Max: 48.563"

SPECIFICATIONS

Construction

One piece 20 Ga. steel reflector and housing. 20 Ga. steel ends form finishing housing. Side access 20 Ga. steel ballast compartment. Earthquake brackets supplied as standard. Unit weight: 16 lbs.

Optic

20 Ga. steel reflectors finished in matte satin white powder coat. .095" thick frosted white acrylic lamp diffusers with linear micro-prism pattern. Optional .020" thick acrylic accent strip available in round or square pattern.

Electrical

Electronic ballasts are thermally protected and have a Class "P" rating. Consult factory for dimming specifications and availability.

Labels

UL and cUL listed.

Finish

Polyester powder coat applied over a 5-stage pre-treatment. Optional Matte Satin White with anti-microbial coating provides 99.99% protection against a broad spectrum of micro-organisms.

ORDERING

Luminaire Series	FAR	<hr/>
Aerion	FAR	
Nominal Size	14	<hr/>
1' x 4'	14	
Shielding		<hr/>
Acrylic Diffuser	AC	
Acrylic Diffuser with Round Accent Strip	RA	
Acrylic Diffuser with Square Accent Strip	SA	
Optional Color Inserts		<hr/>
(Leave blank for no color)		
Red	R	
Green	G	
Blue	B	
Lamp Quantity		<hr/>
One Lamp	1	
Two Lamps	2	
Lamp Type		<hr/>
T5	T5	
T5HO	T5HO	
Circuit		<hr/>
Single Circuit	1C	
Dual Circuit*	2C	
Voltage		<hr/>
120 Volt	120	
277 Volt	277	
347 Volt	347	
(Consult factory for dimming options)		
UNV Volt	UNV	
(Cannot be specified with 1-lamp T5HO dimming or EM option)		
Ballast		<hr/>
Electronic Program Start <10% THD	S	
0-10V	D7	
Lutron 1% 3-wire	DH	
Lutron 1% H-Series	DK	
Mounting		<hr/>
15/16" Grid	G1	
9/16" Grid	G2	
9/16" Slot Tee	G3	
Drywall Frame Kit	F	
(Cut out dimensions: Min: 12.25"/Max: 12.563" Min: 48.25"/Max: 48.563")		
Factory Options		<hr/>
Air Return	AR	
(Overall height for luminaire with Air Return is 3.96")		
Chicago Plenum	CP	
Emergency Battery Pack*	EM	
HLR/GLR Fuse	FU	
6' New York City Flex Whip	FNY	
6' Flex Whip	FW	
Include 3000K Lamp*	L830	
Include 3500K Lamp*	L835	
Include 4100K Lamp*	L841	
Finish		<hr/>
Matte Satin White	WH	
Matte Satin White with Anti-Microbial Coating	WHA	

Aerion™ 1x4

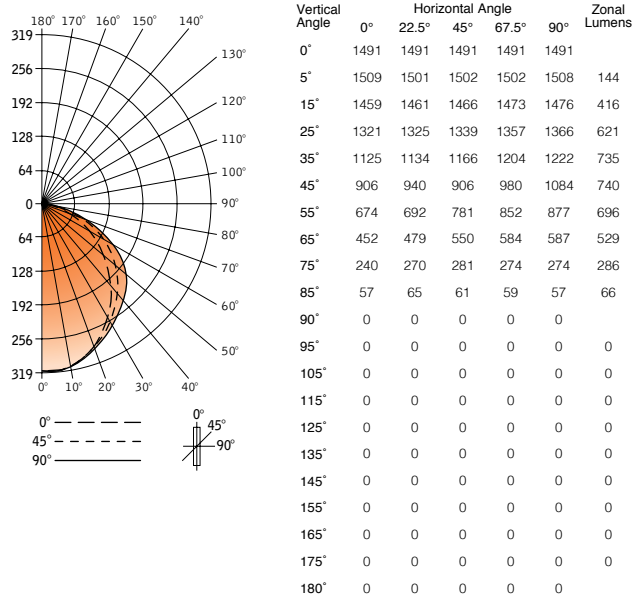
FLUORESCENT

FAR-14-AC-2-T5-S-120-G1-WH

Filename: FAR14AC2T5.IES
 Test #: 14325.0

Lumens: 4231lm
 Efficiency 73%

CANDLEPOWER DISTRIBUTION



LUMEN SUMMARY

Zone	Lumens	% Lamp	% Fixture
0-30°	1180	20.3	27.9
0-40°	1915	33.0	45.3
0-60°	3350	57.8	79.2
0-90°	4231	73.0	100
Total Luminaire 0-180°	4231	73.0	100

LUMINANCE DATA (CD/M²)

Vertical Angle	0°	45°	90°
45°	3748	3748	4484
55°	3437	3983	4473
65°	3129	3807	4063
75°	2713	3176	3097
85°	1913	2047	1913

CO-EFFICIENTS OF UTILIZATION

Floor Ceiling Wall	80				70				20		30		10		00	
	70	50	30	10	70	50	10	50	10	50	10	50	10	50	10	00
RCR 0	87	87	87	87	85	85	85	81	81	78	78	74	74	74	74	73
1	80	77	74	71	78	75	70	72	68	69	66	67	64	62	64	63
2	73	68	63	59	71	66	58	64	57	61	56	59	54	53	54	53
3	67	60	54	50	65	59	49	57	48	55	48	53	47	45	47	45
4	62	53	47	42	60	52	42	50	42	49	41	47	40	39	40	39
5	56	47	41	36	55	46	36	45	35	43	35	42	35	33	35	33
6	52	42	36	31	50	41	31	40	31	39	30	38	30	29	30	29
7	48	38	31	27	46	37	27	36	27	35	27	34	26	25	27	25
8	44	34	28	23	43	33	23	32	23	31	23	31	23	21	23	21
9	40	30	24	20	39	30	20	29	20	28	20	28	20	18	20	18
10	37	28	22	18	37	27	18	27	18	26	18	25	18	16	18	16

Numbers indicate percentage values of reflectivity.

Go to www.focalpointlights.com for additional photometric data.