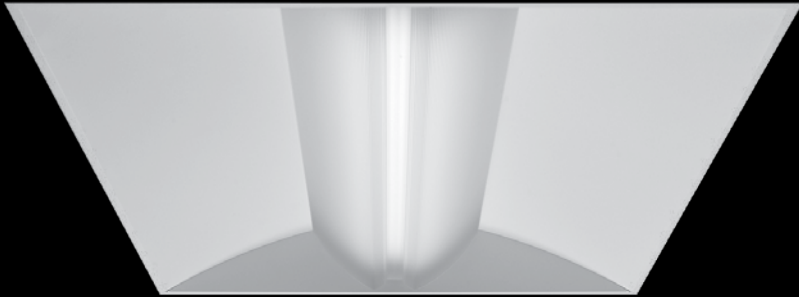


# Aerion<sup>®</sup> 2x2

FLUORESCENT



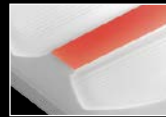
Standard Diffuser



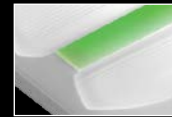
Round Accent Strip



Square Accent Strip



Red Insert

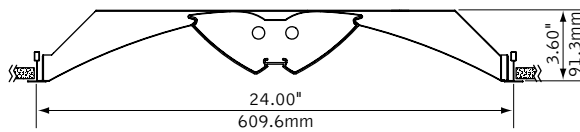


Green Insert

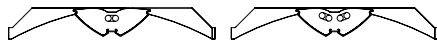


Blue Insert

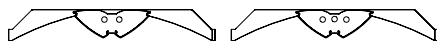
## DIMENSIONAL DATA



### lamping options



BIAX LAMPS



T5/T5HO LAMPS



T8 LAMPS

## FEATURES

High efficiency architectural recessed fluorescent luminaire.

Aerion's sweeping curves and contemporary lines compliment architecture.

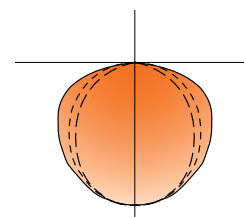
Aerion's center lamp chamber provides minimal contrast between the diffuser and side reflectors creating even illumination and comfort.

Aerion features a shallow 3.6" housing depth which flies under the radar of most plenum obstructions.

Stylized sloped endcaps highlight Aerion's distinctive look.

The lamp diffuser has been designed with an upper and lower track that accepts individual or combinations of accent strips.

## PERFORMANCE



2-Lamp T5HO  
77% Efficient  
1030 cd @ 0°

### PRODUCT OVERVIEW

Lumen Output: 2047-4656lm  
Wattage: 32-110W  
Lamping: BiAx, T5, T5HO, T8

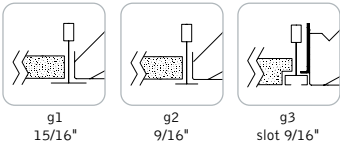
Visit [focalpointlights.com](http://focalpointlights.com) for complete photometric data.

fixture:

project:

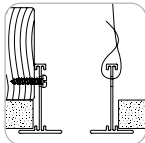
**MOUNTING INFORMATION**

**grid**  
for lay-in grid, specify G1, G2 or G3.

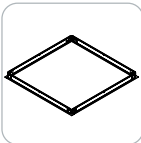


g1  
15/16"
g2  
9/16"
g3  
slot 9/16"

**drywall frame kit**  
specify "F" Drywall Frame Kit for drywall ceiling conditions.



Use tie-wire or screws to secure frame kit.



cut out dimensions:  
2": Min: 24.25"  
Max: 24.563"

**SPECIFICATIONS**

**Construction**

One piece 20 Ga. steel reflector and housing. 20 Ga. steel ends form finishing housing. Side access 20 Ga. steel ballast compartment. Earthquake brackets supplied as standard. Unit weight: 17 lbs.

**Optic**

20 Ga. steel reflectors finished in matte satin white powder coat. .095" thick frosted white acrylic lamp diffusers with linear micro-prism pattern. Optional .020" thick acrylic accent strip available in round or square pattern.

**Electrical**

Electronic ballasts are thermally protected and have a Class "P" rating. Consult factory for dimming specifications and availability.

**Labels**

UL and cUL listed.

**Finish**

Polyester powder coat applied over a 5-stage pre-treatment. Optional Matte Satin White with anti-microbial coating provides 99.99% protection against a broad spectrum of micro-organisms.

**ORDERING**

<b>Luminaire Series</b>	<b>FAR</b>	<hr/>
Aerion	FAR	
<b>Nominal Size</b>	<b>22</b>	<hr/>
2' x 2'	22	
<b>Shielding</b>		<hr/>
Acrylic Diffuser	AC	
Acrylic Diffuser with Round Accent Strip	RA	
Acrylic Diffuser with Square Accent Strip	SA	
<b>Optional Color Inserts</b>		<hr/>
(Leave blank for no color)		
Red	R	
Green	G	
Blue	B	
<b>Lamp Quantity</b>		<hr/>
One Lamp	1	
(Biax only)		
Two Lamps	2	
Three Lamps	3	
(T5 & T8 only)		
<b>Lamp Type</b>		<hr/>
40 Watt Biax	BX40	
T5	T5	
T5HO	T5HO	
T8	T8	
<b>Circuit</b>		<hr/>
Single Circuit	1C	
Dual Circuit	2C	
<b>Voltage</b>		<hr/>
120 Volt	120	
277 Volt	277	
347 Volt	347	
(Consult factory for dimming options)		
UNV Volt	UNV	
(Cannot be specified with 1-lamp T5HO dimming or EM option)		
<b>Ballast</b>		<hr/>
Electronic Program Start <10% THD	S	
0-10V	D7	
Lutron 1% 3-wire	DH	
(5% for Biax)		
Lutron 1% H-Series	DK	
(5% Hi-Lume 3D for Biax)		
<b>Mounting</b>		<hr/>
15/16" Grid	G1	
9/16" Grid	G2	
9/16" Slot Tee	G3	
Drywall Frame Kit	F	
(Cut out dimensions: Min: 24.25"/Max: 24.563")		
<b>Factory Options</b>		<hr/>
Air Return	AR	
(Overall height for luminaire with Air Return is 4.26")		
Chicago Plenum	CP	
Emergency Battery Pack*	EM	
HLR/GLR Fuse	FU	
6' New York City Flex Whip	FNY	
6' Flex Whip	FW	
Include 3000K Lamp*	L830	
Include 3500K Lamp*	L835	
Include 4100K Lamp*	L841	
<b>Finish</b>		<hr/>
Matte Satin White	WH	
Matte Satin White with Anti-Microbial Coating	WHA	

# Aerion™ 2x2

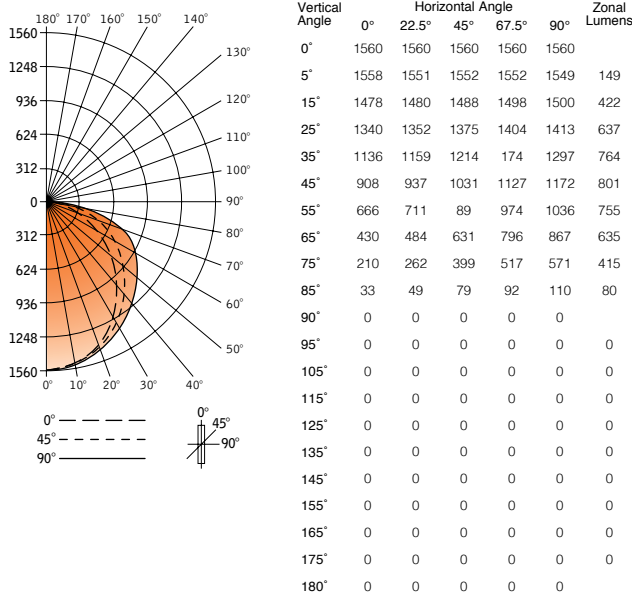
FLUORESCENT

## FAR-22-WW-AC-2-BX40-S-UNV-G1-WH

Filename: FAR22AC2BX40.IES  
Test #: 14030.0

Lumens: 4656lm  
Efficiency: 71%

### CANDLEPOWER DISTRIBUTION



### LUMEN SUMMARY

Zone	Lumens	% Lamp	% Fixture
0-30°	1207	19.2	5.9
0-40°	1971	31.3	4.3
0-60°	3527	56.0	75.7
0-90°	4656	73.9	100
<b>Total Luminaire 0-180°</b>	<b>4656</b>	<b>73.9</b>	<b>100</b>

### LUMINANCE DATA (CD/M²)

Vertical Angle	0°	45°	90°
45°	3734	4239	4819
55°	3376	4202	5252
65°	2958	4341	5965
75°	2359	4482	6415
85°	1101	2635	3670

### CO-EFFICIENTS OF UTILIZATION

Floor Ceiling Wall	80				70			20		50		30		10		00
	70	50	30	10	70	50	10	50	10	50	10	50	10	50	10	00
RCR 0	88	88	88	88	86	86	86	82	79	79	75	75	75	75	74	
1	81	77	74	71	79	76	70	72	68	70	66	67	64	62		
2	73	67	62	58	72	66	58	63	56	61	55	59	54	52		
3	67	59	54	49	65	58	48	56	47	54	47	52	46	44		
4	61	53	46	41	60	52	41	50	40	48	40	46	39	38		
5	56	46	40	35	54	45	35	44	34	42	34	41	33	32		
6	51	41	35	30	50	41	30	39	30	38	29	37	29	27		
7	47	37	31	26	46	37	26	35	26	34	25	33	25	24		
8	44	33	27	22	42	33	22	32	22	31	22	30	22	20		
9	40	30	24	19	39	29	19	28	19	28	19	27	19	18		
10	37	27	21	17	36	27	17	26	17	25	17	25	17	15		

Numbers indicate percentage values of reflectivity.

Go to [www.focalpointlights.com](http://www.focalpointlights.com) for additional photometric data.

# Aerion™ 2x2

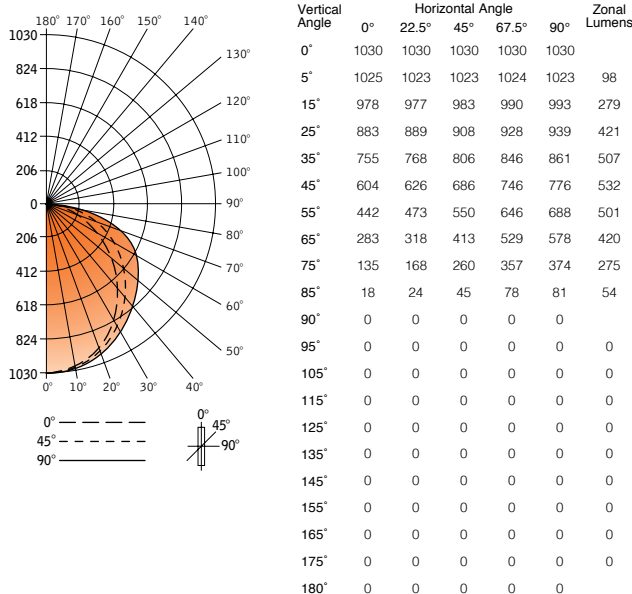
FLUORESCENT

## FAR-22-AC-2-T5HO-S-UNV-G1-WH

Filename: FAR22AC2T5H.IES  
Test #: 14025.0

Lumens: 3085lm  
Efficiency: 77%

### CANDLEPOWER DISTRIBUTION



### LUMEN SUMMARY

Zone	Lumens	% Lamp	% Fixture
0-30°	797	19.9	25.8
0-40°	1304	32.6	42.3
0-60°	2337	58.4	75.8
0-90°	3085	77.1	100
<b>Total Luminaire 0-180°</b>	<b>3085</b>	<b>77.1</b>	<b>100</b>

### LUMINANCE DATA (CD/M²)

Vertical Angle	0°	45°	90°
45°	5203	5575	5734
55°	3906	3993	4124
65°	2991	2843	2784
75°	2128	1644	1692
85°	1005	574	574

### CO-EFFICIENTS OF UTILIZATION

Floor Ceiling Wall	80				70			20		50		30		10		00
	70	50	30	10	70	50	10	50	10	50	10	50	10	50	10	00
RCR 0	92	92	92	92	90	90	90	86	86	82	82	79	79	77		
1	84	81	77	74	82	79	73	76	71	73	69	70	67	65		
2	77	70	65	61	75	69	60	66	59	64	57	61	56	54		
3	70	62	56	51	68	61	50	59	50	56	49	54	48	46		
4	64	55	48	43	62	54	43	52	42	50	42	49	41	39		
5	58	45	41	36	57	47	36	46	36	44	35	43	35	33		
6	54	43	36	31	52	42	31	41	31	40	30	38	30	29		
7	49	39	32	27	48	38	27	37	27	36	27	35	26	25		
8	45	35	28	23	44	34	23	33	23	32	23	31	23	21		
9	43	31	25	20	41	31	20	30	20	29	20	28	20	18		
10	39	28	22	18	38	28	18	27	18	26	18	26	17	16		

Numbers indicate percentage values of reflectivity.

Go to [www.focalpointlights.com](http://www.focalpointlights.com) for additional photometric data.