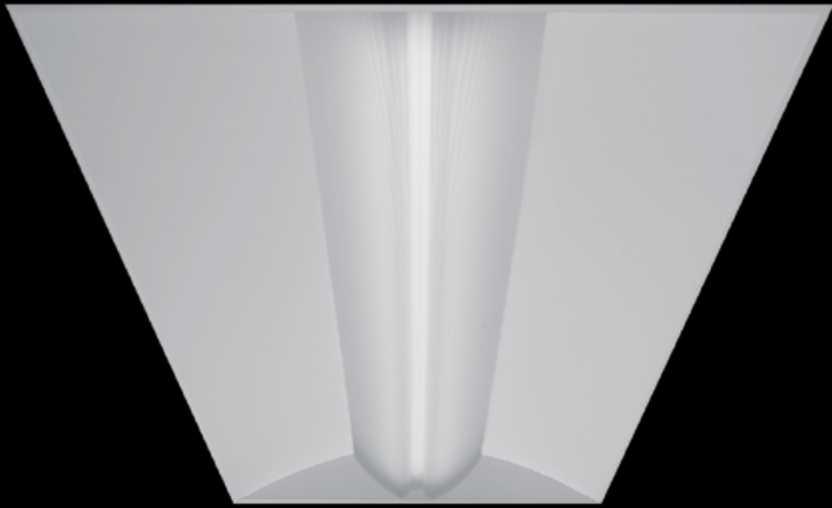


Aerion[®] 2x4

FLUORESCENT



Standard Diffuser



Round Accent Strip



Square Accent Strip



Red Insert

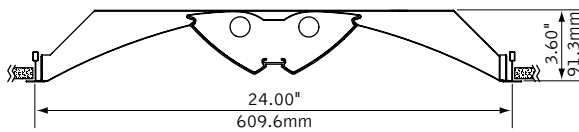


Green Insert



Blue Insert

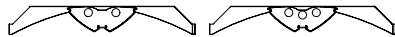
DIMENSIONAL DATA



lamping options



T5/T5HO LAMPS



T8 LAMPS

FEATURES

High efficiency architectural recessed fluorescent luminaire.

Aerion's sweeping curves and contemporary lines complement architecture.

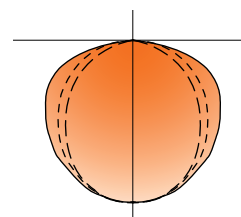
Aerion's center lamp chamber provides minimal contrast between the diffuser and side reflectors creating even illumination and comfort.

Aerion features a shallow 3.6" housing depth which flies under the radar of most plenum obstructions.

Stylized sloped endcaps highlight Aerion's distinctive look.

The lamp diffuser has been designed with an upper and lower track that accepts individual or combinations of accent strips.

PERFORMANCE



2-Lamp T5
83% Efficient
1578 cd @ 10°

PRODUCT OVERVIEW

Lumen Output: 3855-8314lm
 Wattage: 62-120W
 Lamping: T5, T5HO, T8

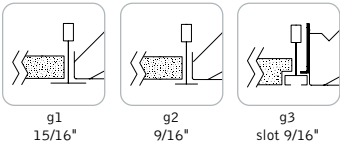
Visit focalpointlights.com for complete photometric data.

fixture:

project:

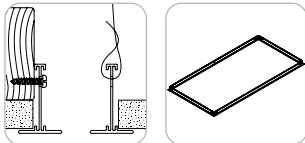
MOUNTING INFORMATION

grid
for lay-in grid, specify G1, G2 or G3.



g1
15/16"
g2
9/16"
g3
slot 9/16"

drywall frame kit
specify "DF" Drywall Frame Kit for drywall ceiling conditions.



Use tie-wire or screws to secure frame kit.

cut out dimensions:
2': Min: 24.25"
 Max: 24.563"
4': Min: 48.25"
 Max: 48.563"

SPECIFICATIONS

Construction

One piece 20 Ga. steel reflector and housing. 20 Ga. steel ends form finishing housing. Side access 20 Ga. steel ballast compartment. Earthquake brackets supplied as standard. Unit weight: 25 lbs.

Optic

20 Ga. steel reflectors finished in matte satin white powder coat. .095" thick frosted white acrylic lamp diffusers with linear micro-prism pattern. Optional .020" thick acrylic accent strip available in round or square pattern.

Electrical

Electronic ballasts are thermally protected and have a Class "P" rating. Consult factory for dimming specifications and availability.

Labels

UL and cUL listed.

Finish

Polyester powder coat applied over a 5-stage pre-treatment. Optional Matte Satin White with anti-microbial coating provides 99.99% protection against a broad spectrum of micro-organisms.

ORDERING

Luminaire Series	FAR	FAR
Aerion	FAR	
Nominal Size		24
2' x 4'	24	
Shielding		
Acrylic Diffuser	AC	
Acrylic Diffuser with Round Accent Strip	RA	
Acrylic Diffuser with Square Accent Strip	SA	
Optional Color Inserts		
(Leave blank for no color)		
Red	R	
Green	G	
Blue	B	
Lamp Quantity		
One Lamp <small>(T5HO only)</small>	1	
Two Lamps	2	
Three Lamps <small>(T5 & T8 only)</small>	3	
Lamp Type		
T5	T5	
T5HO	T5HO	
T8	T8	
Circuit		
Single Circuit	1C	
Dual Circuit	2C	
Voltage		
120 Volt	120	
277 Volt	277	
347 Volt	347	
(Consult factory for dimming options)		
UNV Volt	UNV	
(Cannot be specified with 1-lamp T5HO or EM option)		
Ballast		
Electronic Program Start <10% THD	S	
0-10V	D7	
Lutron 1% 3-wire	DH	
Lutron 1% H-Series	DK	
Mounting		
15/16" Grid	G1	
9/16" Grid	G2	
9/16" Slot Tee	G3	
Drywall Frame Kit	F	
(Cut out dimensions: Min: 24.25"/Max: 24.563" Min: 48.25"/Max: 48.563")		
Factory Options		
Air Return <small>(Overall height for luminaire with Air Return is 4.26")</small>	AR	
Chicago Plenum	CP	
Emergency Battery Pack	EM	
HLR/GLR Fuse	FU	
6' New York City Flex Whip	FNY	
6' Flex Whip	FW	
Include 3000K Lamp	L830	
Include 3500K Lamp	L835	
Include 4100K Lamp	L841	
Finish		
Matte Satin White	WH	
Matte Satin White with Anti-Microbial Coating	WHA	

Aerion™ 2x4

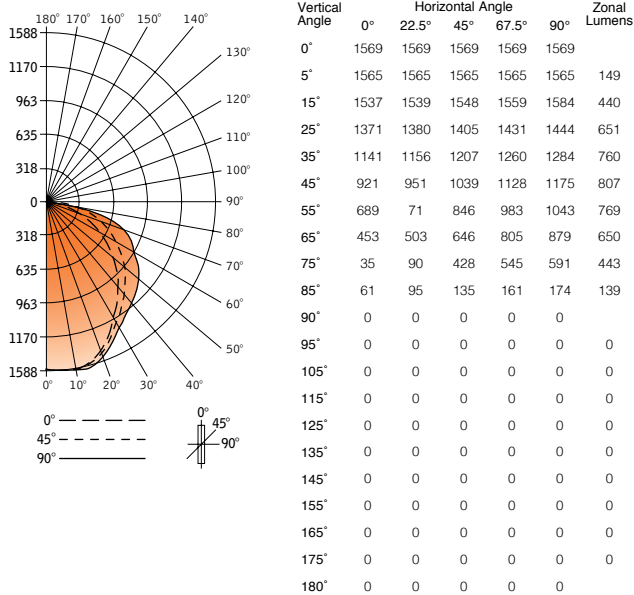
FLUORESCENT

FAR-24-AC-2-T5-1C-UNV-S-G-WH

Filename: FAR24AC2T5.IES
Test #: 13991.0

Lumens: 4807lm
Efficiency: 83%

CANDLEPOWER DISTRIBUTION



LUMEN SUMMARY

Zone	Lumens	% Lamp	% Fixture
0-30°	1240	21.4	25.8
0-40°	2000	34.5	41.6
0-60°	3575	61.6	7.4
0-90°	4807	82.9	100
Total Luminaire 0-180°	4807	82.9	100

LUMINANCE DATA (CD/M²)

Vertical Angle	0°	45°	90°
45°	1853	2090	2364
55°	1710	2100	2587
65°	1525	2176	2958
75°	1289	2352	3254
85°	1002	2202	2843

CO-EFFICIENTS OF UTILIZATION

Floor Ceiling Wall	80				70			20 50		30		10		00
	70	50	30	10	70	50	10	50	10	50	10	50	10	00
RCR 0	99	99	99	99	96	96	96	92	92	88	88	85	85	83
1	90	86	82	79	88	84	78	81	75	77	73	74	71	69
2	82	75	69	64	80	73	64	71	62	68	61	65	59	58
3	75	66	59	54	73	65	53	62	52	60	52	58	51	49
4	68	58	51	46	67	57	45	55	45	53	44	52	43	42
5	62	51	44	38	61	51	38	49	38	47	37	46	37	35
6	57	46	38	33	56	45	33	44	33	42	32	41	32	30
7	53	41	34	29	51	41	29	39	28	38	28	37	28	26
8	49	37	30	25	47	36	25	35	25	34	24	33	24	23
9	45	33	26	21	44	32	21	32	21	31	21	30	21	19
10	42	30	23	19	40	30	19	29	19	28	19	27	19	17

Numbers indicate percentage values of reflectivity.

Go to www.focalpointlights.com for additional photometric data.

Aerion™ 2x4

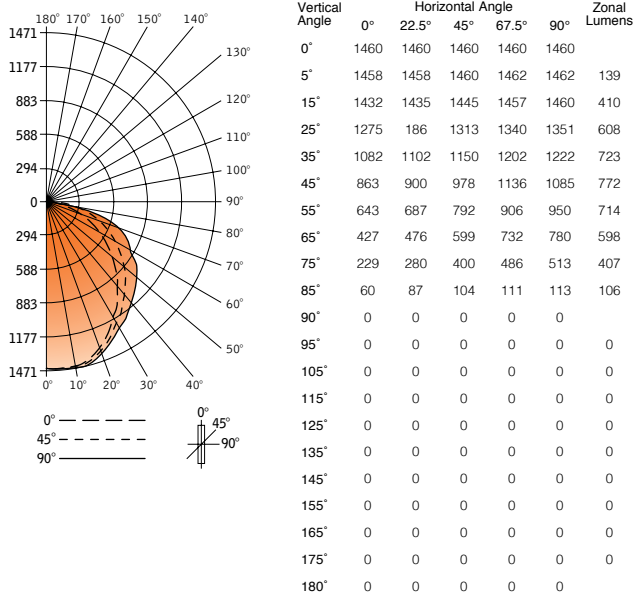
FLUORESCENT

FAR-24-AC-2-T8-S-120-G1-WH

Filename: FAR24AC2T8.IES
Test #: 14158.0

Lumens: 447lm
Efficiency: 76%

CANDLEPOWER DISTRIBUTION



LUMEN SUMMARY

Zone	Lumens	% Lamp	% Fixture
0-30°	1157	19.6	25.8
0-40°	1880	31.9	42.0
0-60°	336	57.1	75.2
0-90°	447	75.9	100
Total Luminaire 0-180°	447	75.9	100

LUMINANCE DATA (CD/M²)

Vertical Angle	0°	45°	90°
45°	1737	1968	2183
55°	1595	1965	2357
65°	1438	2017	2626
75°	1259	2199	2820
85°	980	1698	1845

CO-EFFICIENTS OF UTILIZATION

Floor Ceiling Wall	80				70			20 50		30		10		00
	70	50	30	10	70	50	10	50	10	50	10	50	10	00
RCR 0	90	90	90	90	88	88	88	84	84	81	81	77	77	76
1	83	79	76	73	81	77	72	74	69	71	67	68	65	64
2	75	69	64	59	73	68	59	65	57	62	56	60	55	53
3	69	61	55	50	67	60	49	57	48	55	48	53	47	45
4	63	54	47	42	61	53	42	51	41	49	41	47	40	38
5	57	47	41	35	56	47	35	45	35	43	34	42	34	32
6	53	42	35	31	51	42	30	40	30	39	30	38	30	28
7	48	38	31	27	47	37	26	36	26	35	26	34	26	24
8	45	34	27	23	43	34	23	32	23	31	23	31	22	21
9	41	31	24	20	40	30	20	29	20	28	19	27	19	18
10	38	28	22	17	37	27	17	27	17	26	17	25	17	16

Numbers indicate percentage values of reflectivity.

Go to www.focalpointlights.com for additional photometric data.