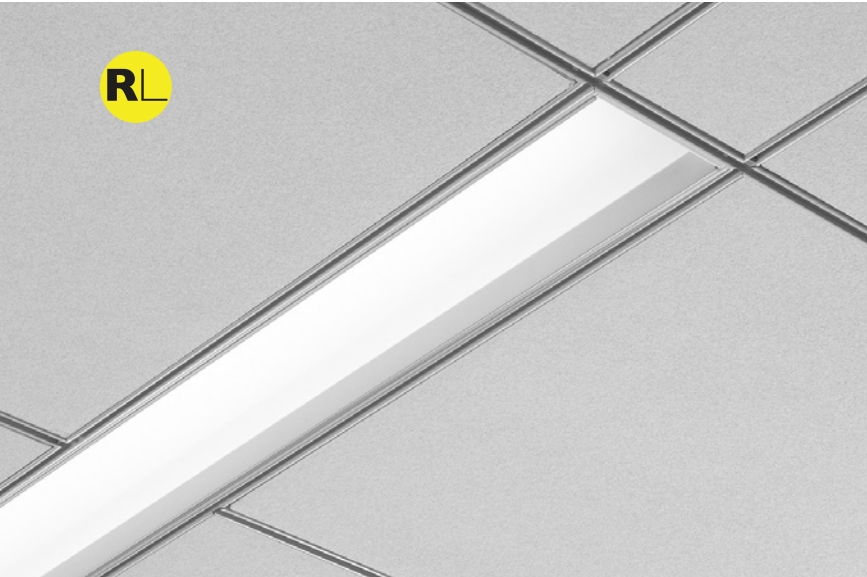


Avenue® 6

LED



corrugated regress trim

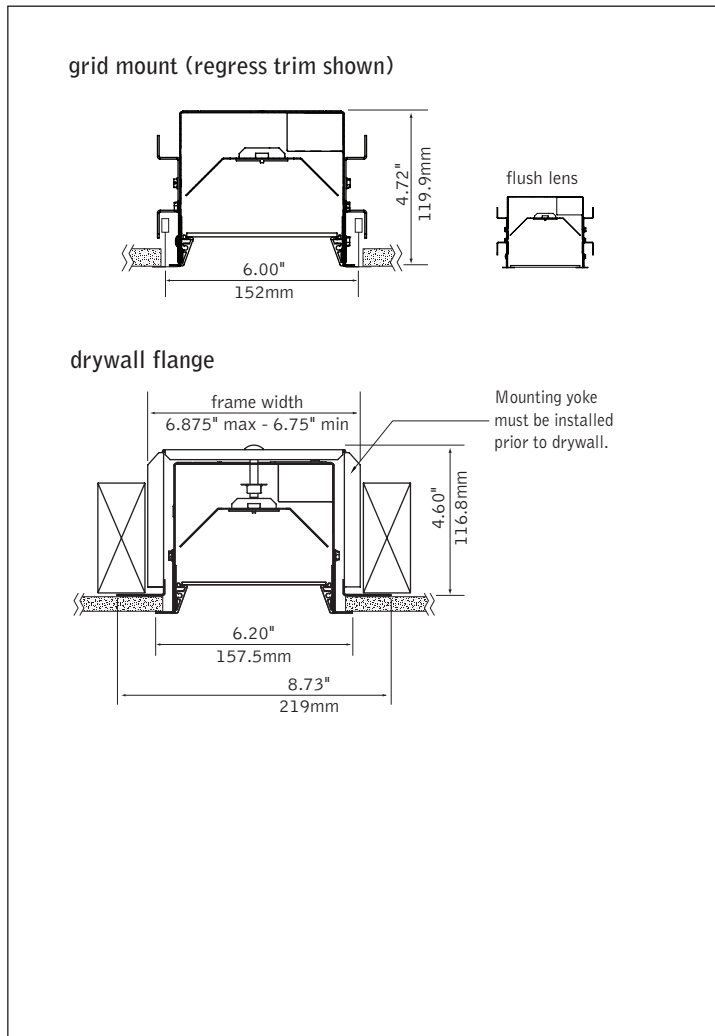


solid regress trim



flush lens

DIMENSIONAL DATA



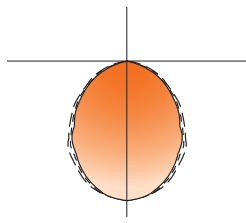
FEATURES

Avenue® 6 LED is designed to function with specialty 6" ceiling systems, standard grid or drywall.

Shielding options include corrugated or solid regressed trim or flush lens.

Avenue® 6 LED provides an integrated lighting solution that complements the ceiling and entire space while providing comfortable general illumination.

PERFORMANCE



PRODUCT OVERVIEW

Lumen Output: 1500-4000lm

Wattage: 16-48W

LPW: 83-93

SDCM: 3

Reported Lumen L70 @ Maintenance: >60,000hrs

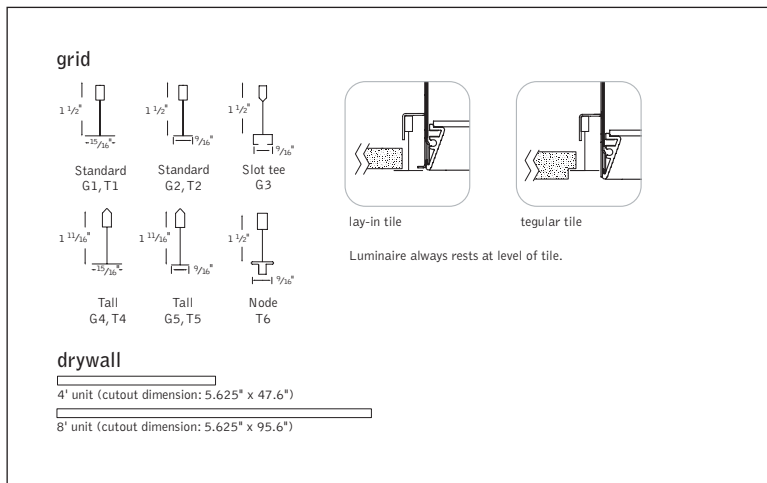
625 Lumens per foot
4' Housing with Flush Lens
Delivered Lumens: 2500lm
Total System Watts: 87W

Photometric performance is measured in accordance with IESNA LM-79.
 Visit focalpointlights.com for complete photometric data.

fixture:

project:

MOUNTING INFORMATION



SPECIFICATIONS

LED System

Proprietary linear LED module incorporates premium LEDs on a robust platform to achieve excellent thermal management. LEDs are placed to promote a uniform appearance. Available in 3000K, 3500K or 4000K with CRI>80, 3SDCM. LED modules and drivers are replaceable from below.

Construction

One-piece 20 Ga. steel housing. Thermally protected housing for new construction applications without direct contact with insulation. Insulation to be kept 3" away from housing. Corrugated and solid regress trim constructed of 6063-T5 extruded aluminum finished in Matte Satin White. 20 Ga. steel, universal flange rail finished in Matte Satin White. Positional brackets supplied as standard. 4' unit weight: 15 lbs.

Optic

22 Ga. steel reflectors finished in High Reflectance White powder coat. Acrylic lens diffuser .118" thick, frosted clear.

Electrical

Thru-wiring not available.

Emergency Battery

Bodine BSL310-CAN. Emergency output - 10 watts for 90 minutes. Maximum mounting height: 20ft.

Labels

UL and cUL Listed. Suitable for Dry or Damp Locations, indoor use only.

Finish

Polyester powder coat applied over a 5-stage pre-treatment.

Lumen Maintenance

Calculated: L70 at 84,000 hours Reported: L70 at >60,000 hours
 Derived from EPA TM-21 calculator based on 10,000 hours of test data.

Warranty

LED system rated for operation in ambient environments up to 25°C. 5 year limited warranty.

4' PERFORMANCE CHART

Shielding	Lumen Output	Delivered Lumens	System Watts	LPW
Flush Lens	375LF	1500	16	93
	625LF	2500	29	87
	875LF	3500	42	84
	1000LF	4000	48	83

*Based on 3500K. Lumen output may vary +/- 5%. Actual wattage may vary +/- 5%. SR multiplier = 1.3

ORDERING

Luminaire Series		FAV6L
Avenue 6 LED		FAV6L
Shielding		
Corrugated Regressed Trim Frst.Lns		CR
Solid Regressed Trim Frosted Lens		SR
Flush Frosted Lens		FL
LED Output		
375 Lumens per foot		375LF
625 Lumens per foot		625LF
875 Lumens per foot		875LF
1000 Lumens per foot		1000LF
Color Temperature		
3000K		30K
3500K		35K
4000K		40K
Circuits		1C
Single Circuit		1C
Voltage		
120 Volt		120
277 Volt		277
Driver		
0-10V - 10% Dimming		LD1
Lutron A-Series		L3D
1% EcoSystem Digital		
<small>(875 & 1000 Lumens 4' housing only. Consult factory for 3-wire control.)</small>		
Step Dimming		SD5
Ceiling Configurations		
Drywall Flange		F
Std. 15/16" Lay-in		G1
Std. 15/16" Tegular		T1
Std. 9/16" Lay-in		G2
Std. 9/16" Tegular		T2
9/16" Slot-tee Tegular		G3
Tall 15/16" Lay-in		G4
Tall 15/16" Tegular		T4
Tall 9/16" Lay-in		G5
Tall 9/16" Tegular		T5
Node 9/16" Tegular		T6
Factory Options		
Chicago Plenum		CP
Emergency Battery*		EM
6' New York City Flex Whip		FNY
6' Flex Whip		FW
<small>(Sensor options available—consult factory)</small>		
Finish		WH
Matte White Housing		WH
Luminaire Length		
4' Nominal Housing		4'
8' Nominal Housing		8'



Avenue® 6

LED - FLUSH LENS

FAV6-FL-625LF-35K-LD1-G3-WH

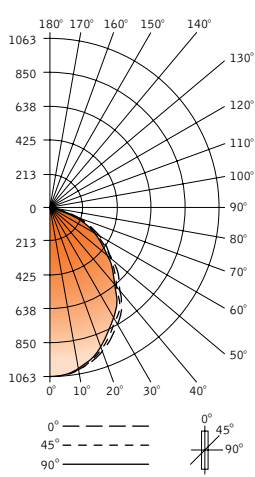
Filename: FAV6LFL625LF35K.IES

Lumens: 2555lm

System Watts: 29W

LPW: 88

CANDLEPOWER DISTRIBUTION



Vertical Angle	Horizontal Angle				
	0°	22.5°	45°	67.5°	90°
0°	1063	1063	1063	1063	1063
5°	1089	1057	1057	1055	1055
15°	1001	1000	994	988	988
25°	902	899	886	874	868
35°	786	778	763	746	739
45°	612	604	589	572	569
55°	446	436	424	415	407
65°	293	287	279	271	270
75°	141	141	136	134	132
85°	31	31	31	31	31
90°	0	0	0	0	0
95°	0	0	0	0	0
105°	0	0	0	0	0
115°	0	0	0	0	0
125°	0	0	0	0	0
135°	0	0	0	0	0
145°	0	0	0	0	0
155°	0	0	0	0	0
165°	0	0	0	0	0
175°	0	0	0	0	0
180°	0	0	0	0	0

LUMEN SUMMARY

Zone	Lumens	% Fixture
0-30°	788	30.8
0-40°	1259	49.3
0-60°	2094	82.0
0-90°	2555	100.0
Total Luminaire 0-180°	2555	100.0

LUMINANCE DATA (CD/M²)

Vertical Angle	0°	45°	90°
45°	6905	6650	6425
55°	6199	5903	5663
65°	5526	5274	5099
75°	4347	4183	4060
85°	2801	2801	2801

Go to www.focalpointlights.com for additional photometric data.

Avenue® 6

LED - SOLID REGRESSED TRIM

FAV6-SR-625LF-35K-LD1-F-WH

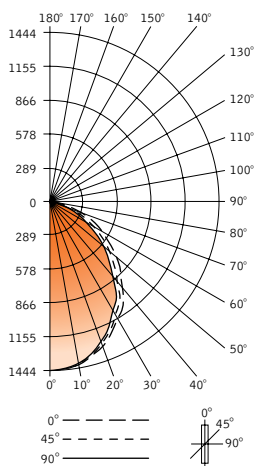
Filename: FAV6LSR625LF35K.IES

Lumens: 3322lm

System Watts: 29W

LPW: 115

CANDLEPOWER DISTRIBUTION



Vertical Angle	Horizontal Angle				
	0°	22.5°	45°	67.5°	90°
0°	1444	1444	1444	1444	1444
5°	1440	1435	1735	1433	1433
15°	1362	1361	1356	1351	1348
25°	1236	1232	1216	1191	1181
35°	1081	1069	1032	995	978
45°	852	833	780	731	715
55°	622	594	540	490	473
65°	408	380	326	284	271
75°	200	175	135	113	107
85°	44	28	24	24	24
90°	0	0	0	0	0
95°	0	0	0	0	0
105°	0	0	0	0	0
115°	0	0	0	0	0
125°	0	0	0	0	0
135°	0	0	0	0	0
145°	0	0	0	0	0
155°	0	0	0	0	0
165°	0	0	0	0	0
175°	0	0	0	0	0
180°	0	0	0	0	0

LUMEN SUMMARY

Zone	Lumens	% Fixture
0-30°	1076	32.4
0-40°	1712	51.6
0-60°	2801	84.3
0-90°	3322	100.0
Total Luminaire 0-180°	3322	100.0

LUMINANCE DATA (CD/M²)

Vertical Angle	0°	45°	90°
45°	8355	7644	7011
55°	7520	6530	5712
65°	6692	5349	4444
75°	5358	3628	2869
85°	3508	1879	1879

Go to www.focalpointlights.com for additional photometric data.