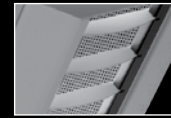
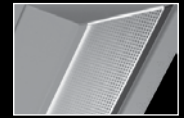


open optic



cut-off louvers



clear lens

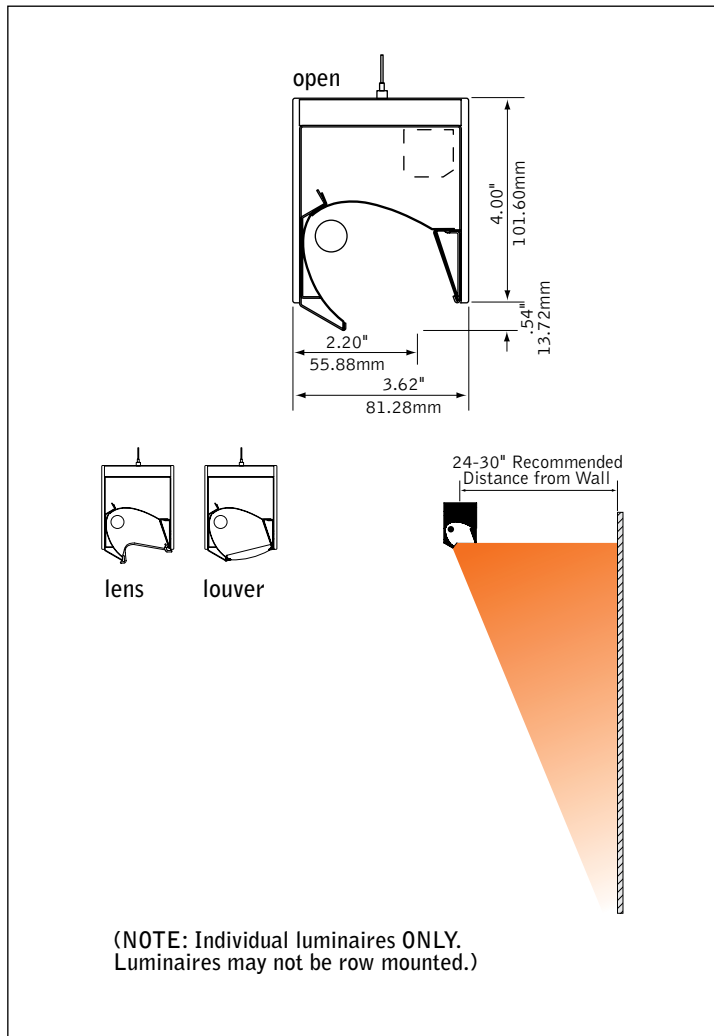


recessed companion



recessed wall mount companion

## DIMENSIONAL DATA



## FEATURES

Suspended or surface mounted linear asymmetric T5/T5HO fluorescent.

Narrow aperture high performance wall wash.

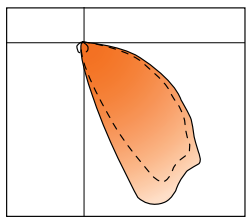
Precision micro-optic delivers shadow free illumination from the ceiling to the floor.

Features 2" narrow aperture for clean unobtrusive aesthetic.

Great solution for conference rooms, highlighting artwork, corridors, white board or any application that requires high levels of vertical illumination.

## PERFORMANCE

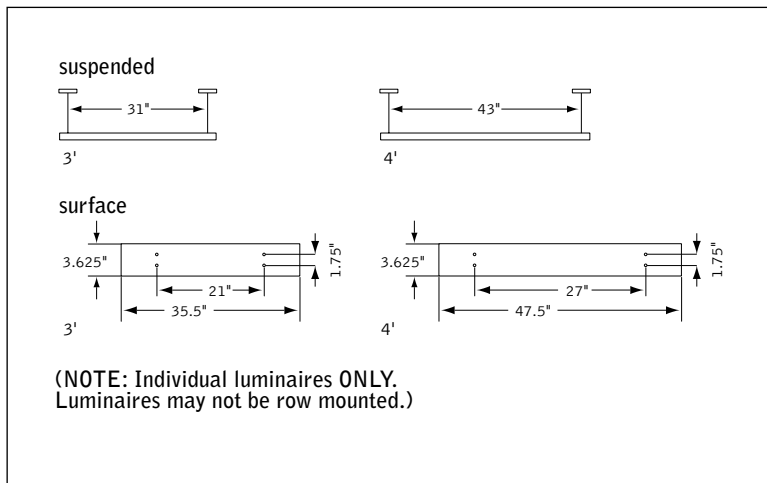
PRODUCT OVERVIEW	
Lumen Output:	548-2842lm
Wattage:	16-91W
Lamping:	T5, T5HO



Open Optic  
1-Lamp T5HO  
**57% Efficient**  
**1933 cd @ 25°**

Visit [focalpointlights.com](http://focalpointlights.com) for complete photometric data.

**MOUNTING INFORMATION**



**SPECIFICATIONS**

**Construction**

Two-piece 20 Ga. steel housing. All luminaires are provided with single point aircraft cable suspension mounted on 31" centers for 3' luminaires and 43" centers for 4' luminaires. Surface mount holes provided for surface mount option. 3' unit weight: 9 lbs., 4' unit weight: 12 lbs.

**Optic**

.020" specular aluminum upper reflector and .020" semi-specular lower reflector. 24 Ga. perforated matte black diffuser with 24% opening. Cut-off louver: .375" H x 1" frequency fabricated of 24 Ga. steel. Clear lens: .06" thick clear acrylic.

**Electrical**

Luminaires are individually wired for specified circuits. Electronic ballasts are thermally protected and have a Class "P" rating. Optional dimming ballasts available.

**Labels**

UL and cUL listed.

**Finish**

Polyester powder coat applied over a 5-stage pre-treatment. Perforated diffuser finished in Matte Black as standard. Cut-off louver painted Matte Satin White as standard.

**ORDERING**

<b>Luminaire Series</b>	<u>FAVAS</u>
Avenue A	FAVAS
<b>Shielding</b>	_____
No Shielding, Open Optic	NS
Snap-in Clear Lens	CL
Radial Cut-Off Louver	RL
<small>(Louver always painted white) (Radial cut-off louver FAVA-RL cannot be field installed on the FAVA-NS or FAVA-CL)</small>	
<b>Lamping</b>	_____
One Lamp T5	1T5
One Lamp T5HO	1T5HO
<b>Circuits</b>	<u>1C</u>
Single Circuit	1C
<b>Voltage</b>	_____
120 Volt	120
277 Volt	277
347 Volt	347
<small>(Consult factory for dimming options)</small>	
120/277 UNV	UNV
<small>(Not available with 1-lamp T5HO dimming or EM)</small>	
<b>Ballast</b>	_____
Electronic Program Start <10% THD	S
0-10V	D7
Lutron 1% 3-wire	DH
Lutron 1% H-Series	DK
<b>Mounting</b>	_____
24" Cable Suspension	C24
48" Cable Suspension	C48
96" Cable Suspension	C96
<small>(Add "P" for Chicago plenum. Eg: CP12) (Specify one of the following in place of "C" J - for 2' canopies at non-feed locations. CS - for sloped ceilings.)</small>	
Surface Mount	SM
<b>Factory Options</b>	_____
Emergency Circuit*	EC
Emergency Battery Pack*	EM
HLR/GLR Fuse	FU
Include 3000K Lamp*	L830
Include 3500K Lamp*	L835
Include 4100K Lamp*	L841
<b>Finish</b>	_____
Matte White Housing	WH
Matte Black Housing	BK
Titanium Silver	TS
<small>(Perforated diffuser always painted black)</small>	
<b>Luminaire Length</b>	_____
3' Nominal Housing	3'
4' Nominal Housing	4'
<small>(Consult factory for additional lengths)</small>	
<small>(NOTE: Individual luminaires ONLY. Luminaires may not be row mounted.)</small>	

# Avenue® A

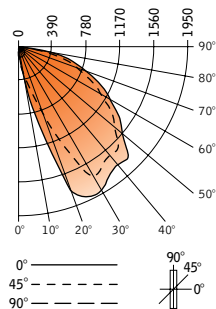
FLUORESCENT - OPEN OPTIC

## FAVAS-NS-1T5HO-1C-120-S-C24-WH-4'

Filename: FAVASNS1T5H.IES  
Test #: 12355.1

Lumens: 2701lm  
Efficiency: 54%

### CANDLEPOWER DISTRIBUTION



Vertical Angle	Horizontal Angle					Zonal Lumens
	0°	22.5°	45°	67.5°	90°	
0°	108	108	108	108	108	108
5°	276	256	214	154	101	13.2
15°	919	771	499	291	102	84.5
25°	1933	1873	1300	415	101	278.8
35°	1832	1799	1695	707	96	408.0
45°	1806	1775	1647	1296	88	610.1
55°	1434	1416	1329	1108	74	580.0
65°	1072	1052	962	811	56	473.0
75°	655	631	568	458	39	293.8
85°	317	294	224	129	14	119.2
90°	183	165	112	40	2	
95°	0	0	0	0	0	0
105°	0	0	0	0	0	0
115°	0	0	0	0	0	0
125°	0	0	0	0	0	0
135°	0	0	0	0	0	0
145°	0	0	0	0	0	0
155°	0	0	0	0	0	0
165°	0	0	0	0	0	0
175°	0	0	0	0	0	0
180°	0	0	0	0	0	0

### LUMEN SUMMARY

Zone	Lumens	% Lamp	% Fixture
0-30°	384	7.7	14.2
0-40°	810	16.2	30
0-60°	1877	37.5	69.5
0-90°	2701	54	100
<b>Total Luminaire 0-180°</b>	<b>2701</b>	<b>54</b>	<b>100</b>

Go to [www.focalpointlights.com](http://www.focalpointlights.com) for additional photometric data.

# Avenue® A

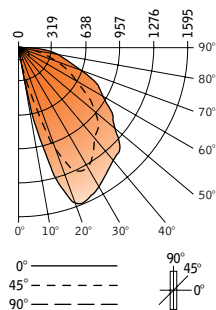
FLUORESCENT - LOUVER

## FAVAS-RL-1T5HO-1C-120-S-C24-WH-4'

Filename: FAVASRL1T5H.IES  
Test #: 12597.1

Lumens: 2032lm  
Efficiency: 41%

### CANDLEPOWER DISTRIBUTION



Vertical Angle	Horizontal Angle					Zonal Lumens
	0°	22.5°	45°	67.5°	90°	
0°	120	120	120	120	120	120
5°	175	161	137	129	120	13
15°	1212	1043	556	187	121	104
25°	1581	1520	1301	404	137	248
35°	1457	1370	1228	774	144	373
45°	1354	1255	1070	835	131	443
55°	1077	952	783	582	118	383
65°	787	662	509	342	107	277
75°	441	360	244	119	66	133
85°	171	124	65	39	17	45
90°	67	51	13	0	0	0
95°	0	0	0	0	0	0
105°	0	0	0	0	0	0
115°	0	0	0	0	0	0
125°	0	0	0	0	0	0
135°	0	0	0	0	0	0
145°	0	0	0	0	0	0
155°	0	0	0	0	0	0
165°	0	0	0	0	0	0
175°	0	0	0	0	0	0
180°	0	0	0	0	0	0

### LUMEN SUMMARY

Zone	Lumens	% Lamp	% Fixture
0-30°	365	7.3	17.9
0-40°	737	14.7	36.3
0-60°	1564	31.3	76.9
0-90°	2018	40.4	99.3
<b>Total Luminaire 0-180°</b>	<b>2032</b>	<b>41</b>	<b>100</b>

Go to [www.focalpointlights.com](http://www.focalpointlights.com) for additional photometric data.