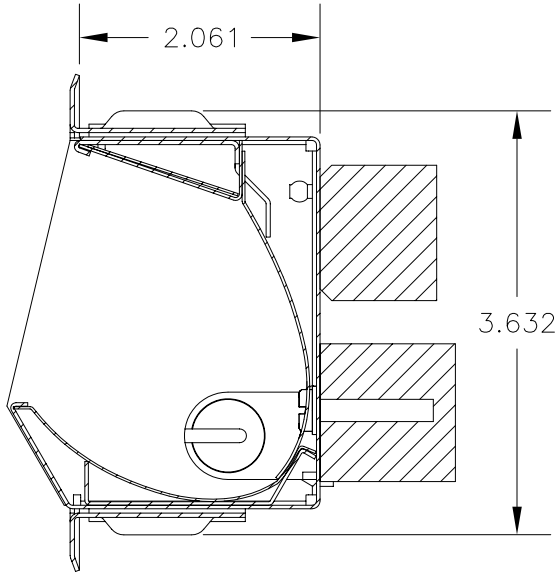


AVENUE A - FAVA RECESSED INDIRECT

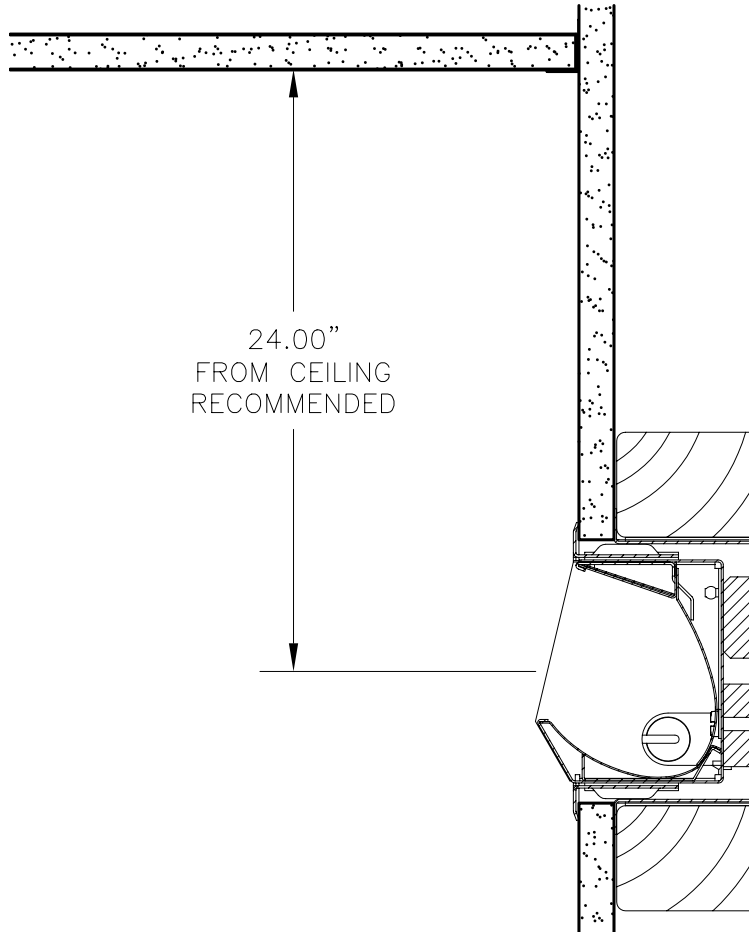
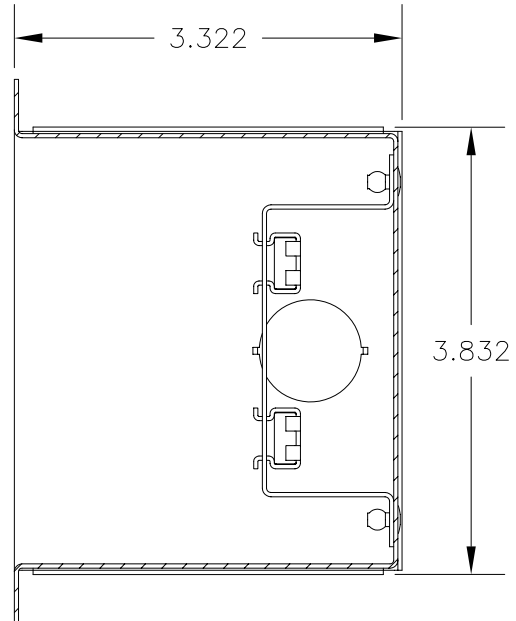
SAFETY AND INSTALLATION INSTRUCTIONS

FIXTURES MUST BE INSTALLED BY A QUALIFIED ELECTRICIAN (CHECK WITH LOCAL AND NATIONAL CODES FOR PROPER INSTALLATION). TO PREVENT ELECTRICAL SHOCK, DISCONNECT ELECTRICAL SUPPLY BEFORE INSTALLATION OR SERVICING.

REFLECTOR AND BALLAST ASSEMBLY



ROUGH IN HOUSING
(MUST BE INSTALLED BEFORE WALLBOARD)



CONTRACTOR IS RESPONSIBLE FOR ADEQUATELY REINFORCING WALLS AND/OR CEILINGS TO SUPPORT FIXTURE WEIGHT. FOCAL POINT, L.L.C. ACCEPTS NO RESPONSIBILITY FOR INADEQUATELY REINFORCED WALLS AND/OR CEILINGS.

THE INFORMATION CONTAINED IN THIS DRAWING IS THE SOLE PROPERTY OF FOCAL POINT LLC. ANY REPRODUCTION IN PART OR WHOLE WITHOUT THE WRITTEN PERMISSION OF FOCAL POINT LLC IS PROHIBITED.

2005 © FOCAL POINT LLC

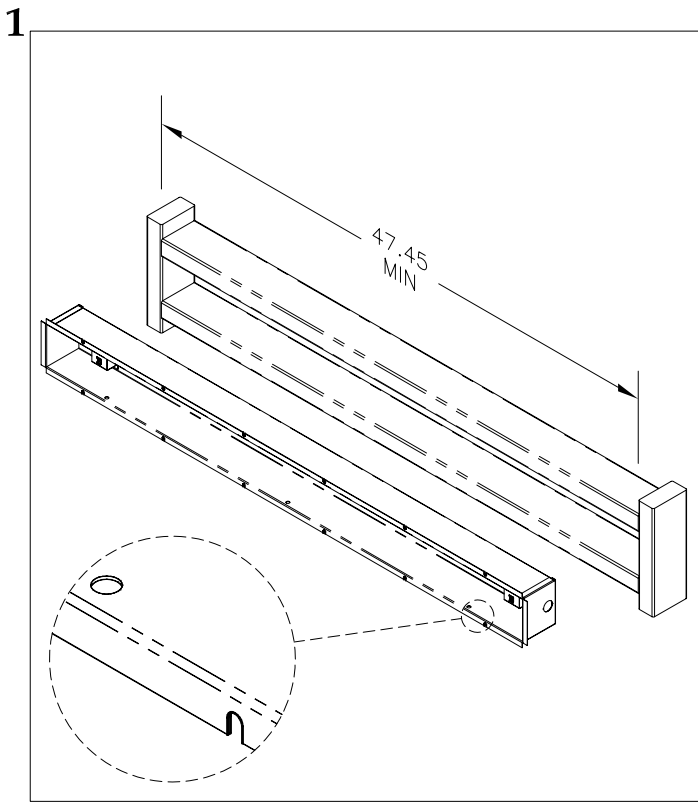


INSTALLATION GUIDE NO.

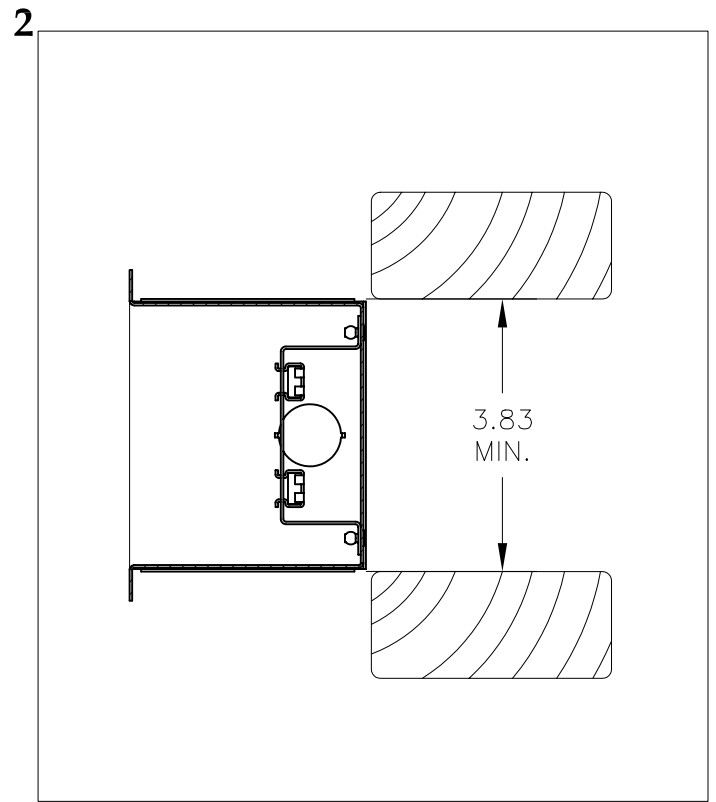
IS0219

DWG. NO.

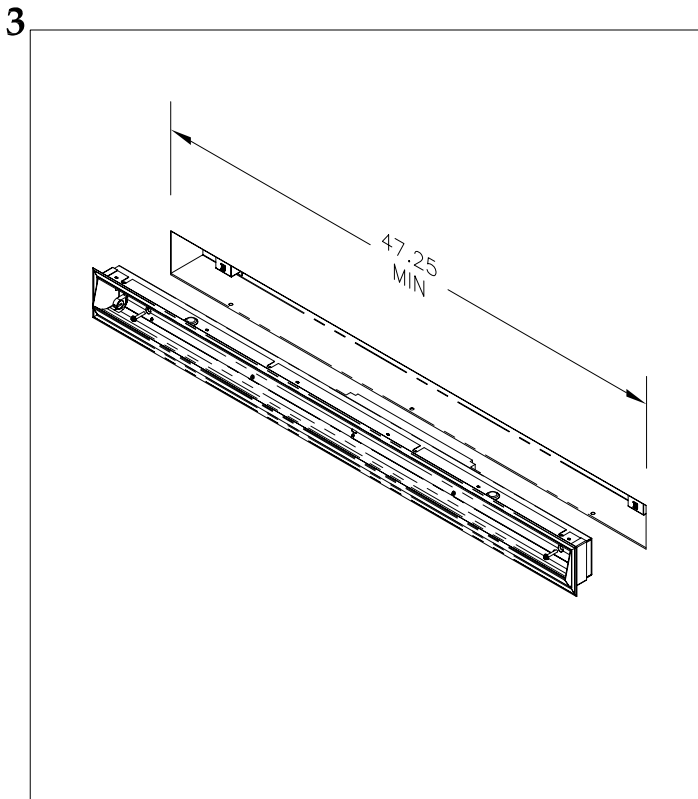
REV. A



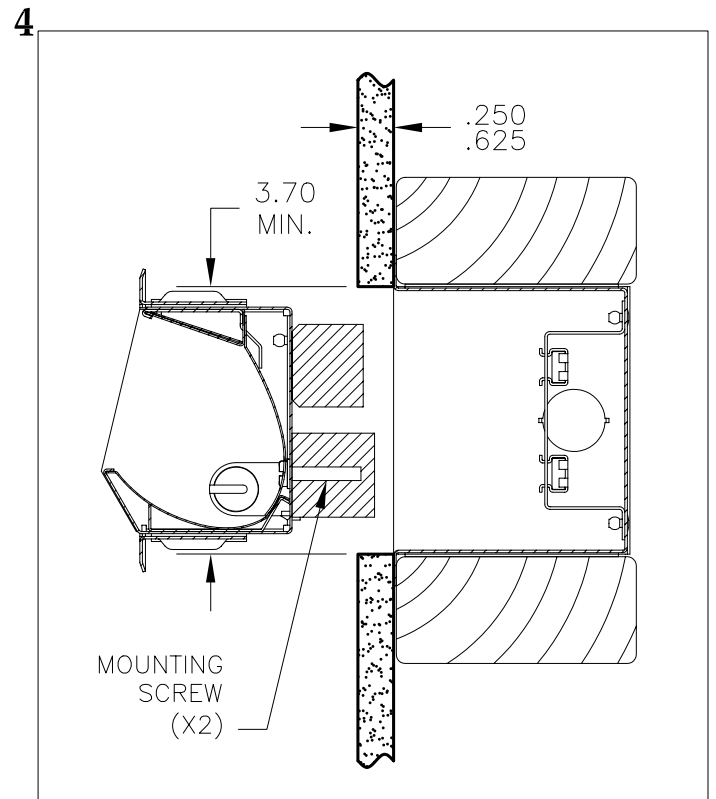
ROUGH-IN FRAMING MUST BE PROVIDED. ONE K.O. AT EACH END IS PROVIDED FOR ELECTRICAL CONNECTIONS.



POSITION ROUGH-IN HOUSING AND SECURELY FASTEN OR NAIL IN PLACE (SCREWS BY OTHERS).



APPLY WALLBOARD AND CUT OUT OPENING FOR REFLECTOR AND BALLAST ASSEMBLY.



REFLECTOR AND BALLAST ASSEMBLY CAN BE INSTALLED OR REMOVED BY LOOSENING TWO MOUNTING SCREWS.