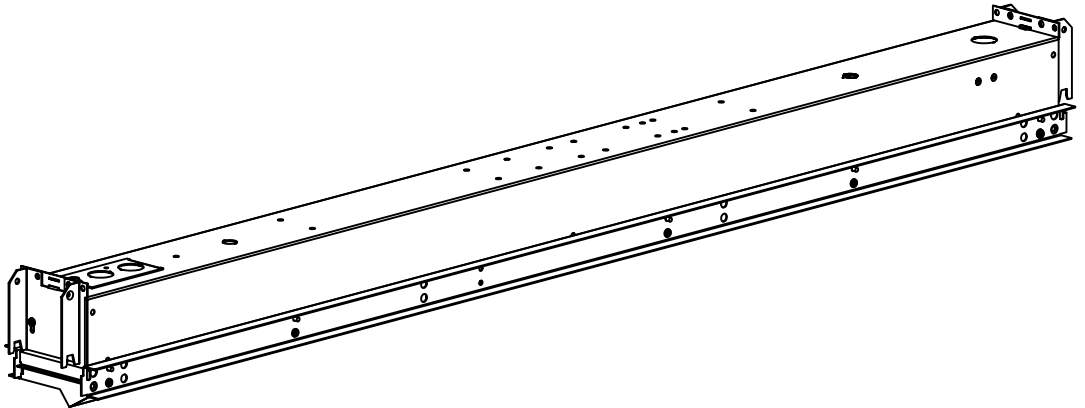


FAVA - AVENUE A

SAFETY AND INSTALLATION INSTRUCTIONS

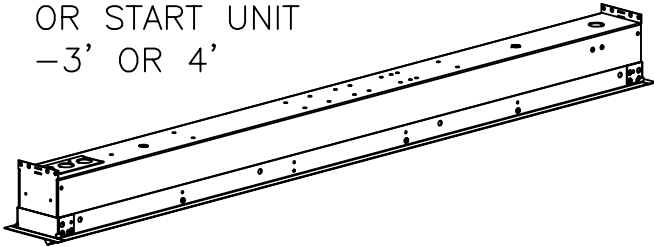
FIXTURES MUST BE INSTALLED BY A QUALIFIED ELECTRICIAN (CHECK WITH LOCAL AND NATIONAL CODES FOR PROPER INSTALLATION). TO PREVENT ELECTRICAL SHOCK, DISCONNECT ELECTRICAL SUPPLY BEFORE INSTALLATION OR SERVICING.

GRID TYPE
-2' OR 4' UNIT

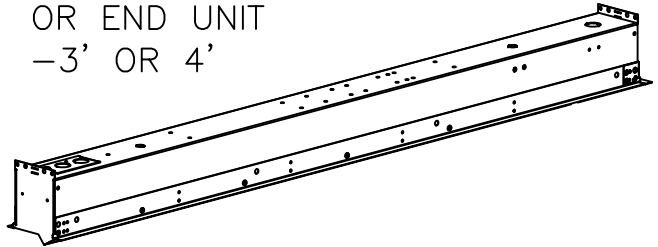


DRYWALL TYPE

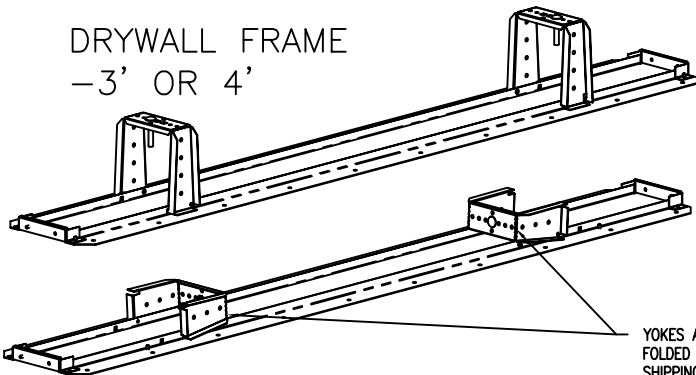
INDIVIDUAL
OR START UNIT
-3' OR 4'



INTERMEDIATE
OR END UNIT
-3' OR 4'



DRYWALL FRAME
-3' OR 4'



YOKES ARE
FOLDED FOR
SHIPPING.
UNFOLD PRIOR TO
INSTALLATION.

CONTRACTOR IS RESPONSIBLE FOR ADEQUATELY REINFORCING WALLS AND/OR CEILINGS TO SUPPORT FIXTURE WEIGHT. FOCAL POINT, L.L.C. ACCEPTS NO RESPONSIBILITY FOR INADEQUATELY REINFORCED WALLS AND/OR CEILINGS.

THE INFORMATION CONTAINED IN THIS DRAWING IS THE SOLE PROPERTY OF FOCAL POINT LLC. ANY REPRODUCTION IN PART OR WHOLE WITHOUT THE WRITTEN PERMISSION OF FOCAL POINT LLC IS PROHIBITED. 2012 © FOCAL POINT LLC



INSTALLATION GUIDE NO.

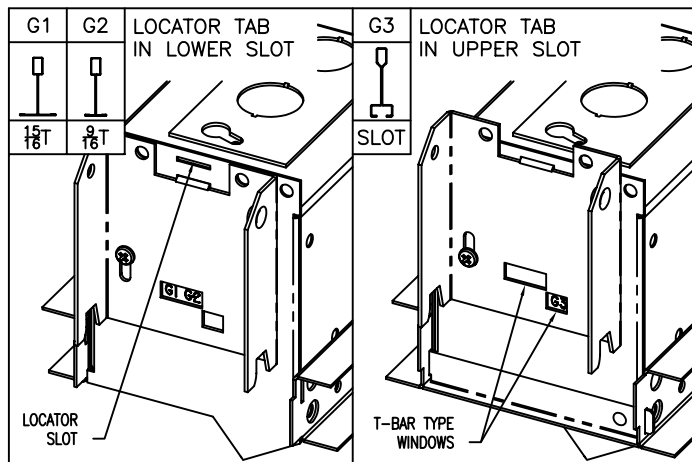
IS0214

DWG. NO.

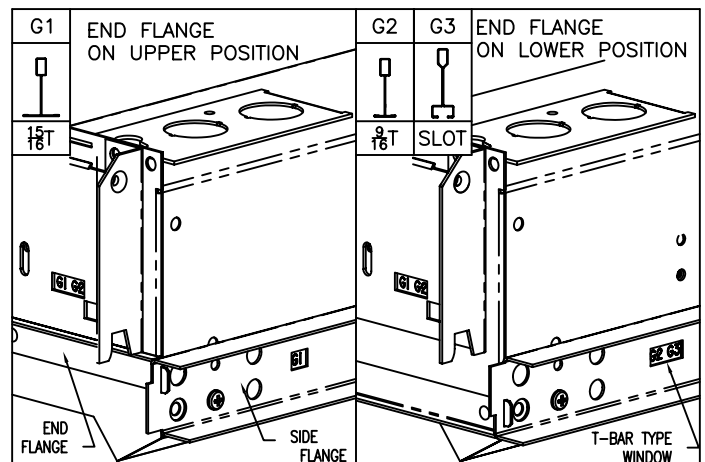
REV. D

FAVA – GRID INSTALLATION

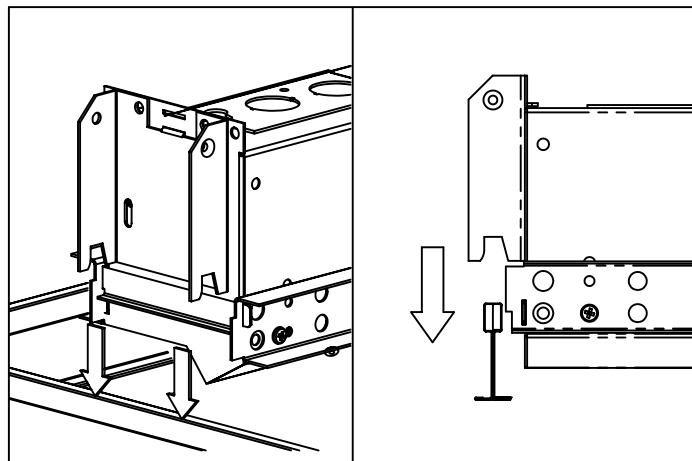
1. MOUNTING BRACKET IS PRESET FOR SPECIFIED T-BAR TYPE AT FACTORY. IF FIELD ADJUSTMENT IS REQUIRED MODIFY SLOT LOCATION BY LOOSEN TWO MOUNTING BRACKET SCREWS, UNHOOK THE TAB BY LIFTING PLATE, INSERT TAB IN CORRECT SLOT AND FASTEN SCREWS. WINDOWS ON THE BRACKET INDICATE T-BAR TYPE.



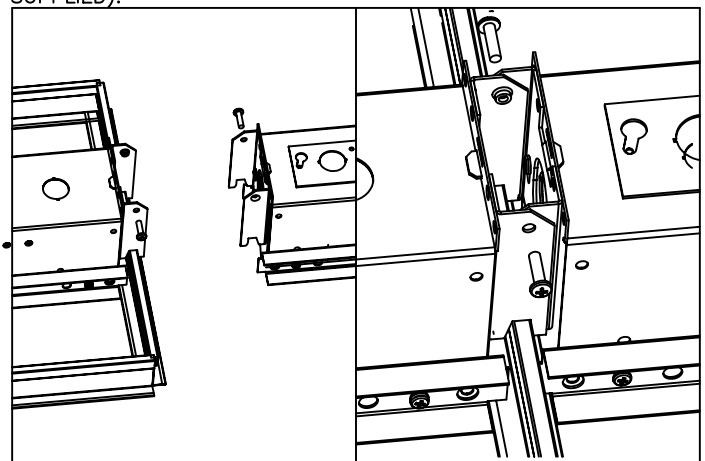
2. SIDE AND END FLANGES ARE ALSO PRESET AT FACTORY. IF MODIFICATION IS REQUIRED, REMOVE SCREWS HOLDING SIDE FLANGES, FLIP SIDE FLANGE AS SHOWN BELOW. INSTALL ONE SIDE FLANGE ONLY. INSERT TABS OF END FLANGES TO SLOT OF SIDE FLANGE. INSTALL REMAINING SIDE FLANGE. WINDOW ON THE FLANGE INDICATE T-BAR TYPE.



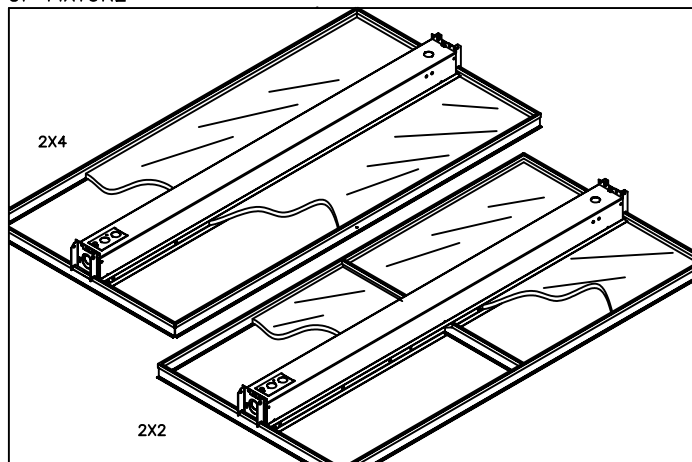
3. PLACE FIXTURES ON CEILING GRID BY HOOKING ONTO CEILING T-BAR AS SHOWN.



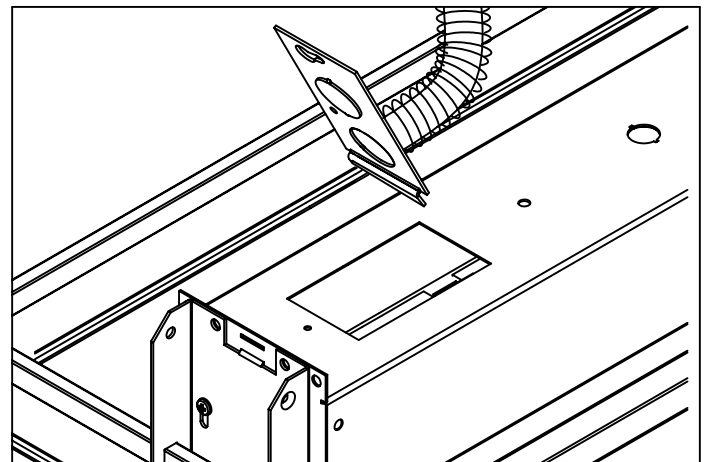
4. MOUNTING BRACKET SLIDES TOGETHER TO LOCK AND ALIGN MULTIPLE LUMINAIRES INTO PLACE USING TWO #8 SCREWS (FP SUPPLIED).



5. CUT 3.5" OPENING IN TILE AND REST TILE ON SIDE FLANGE OF FIXTURE. FOR 2X2 GRID, CUT GRID AND REST ON SIDE FLANGE OF FIXTURE

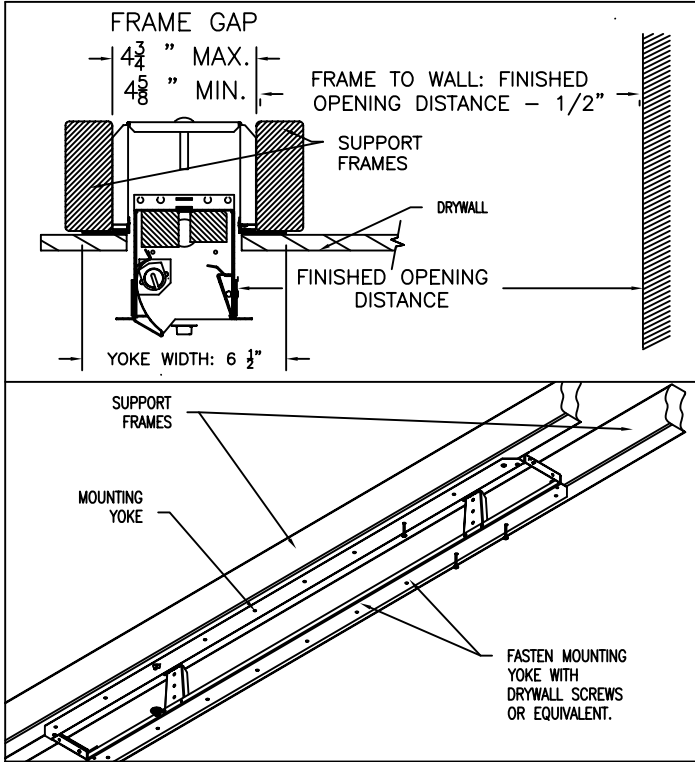


6. MAKE ELECTRICAL CONNECTION VIA ACCESS PLATE.

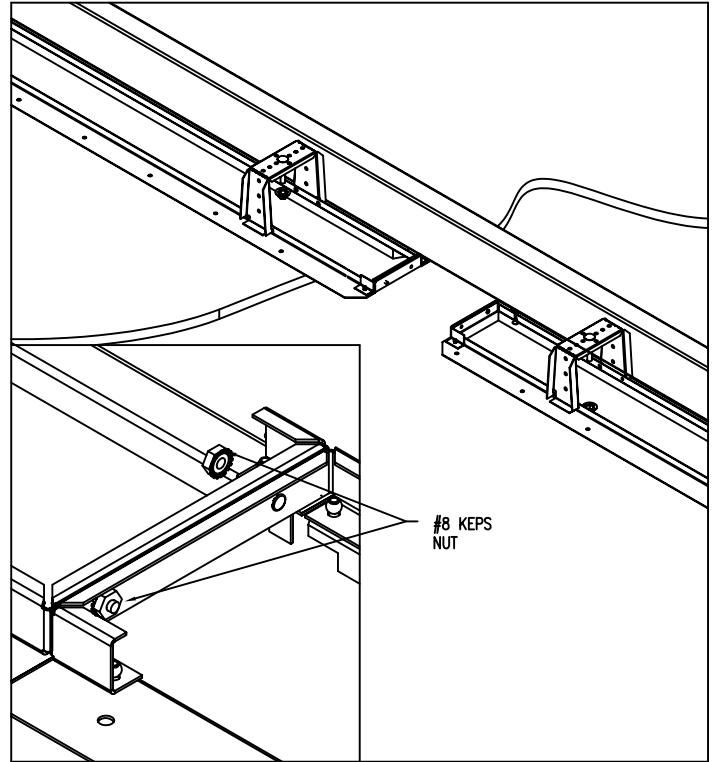


FAVA — DRYWALL INSTALLATION

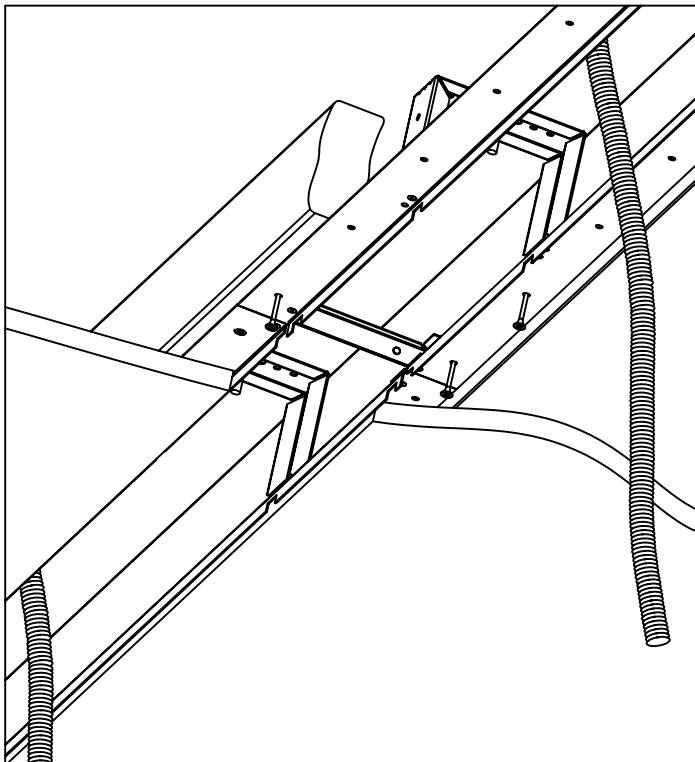
1. BUILD SUPPORT FRAMES TO INSTALL MOUNTING YOKES. (I.E. 2"x4" STUD) FOLLOW THE DIMENSIONS SHOWN BELOW. SUBTRACT $\frac{1}{2}$ " FROM THE DISTANCE OF EDGE OF OPENING TO WALL SURFACE TO GET SUPPORT FRAME LOCATION.



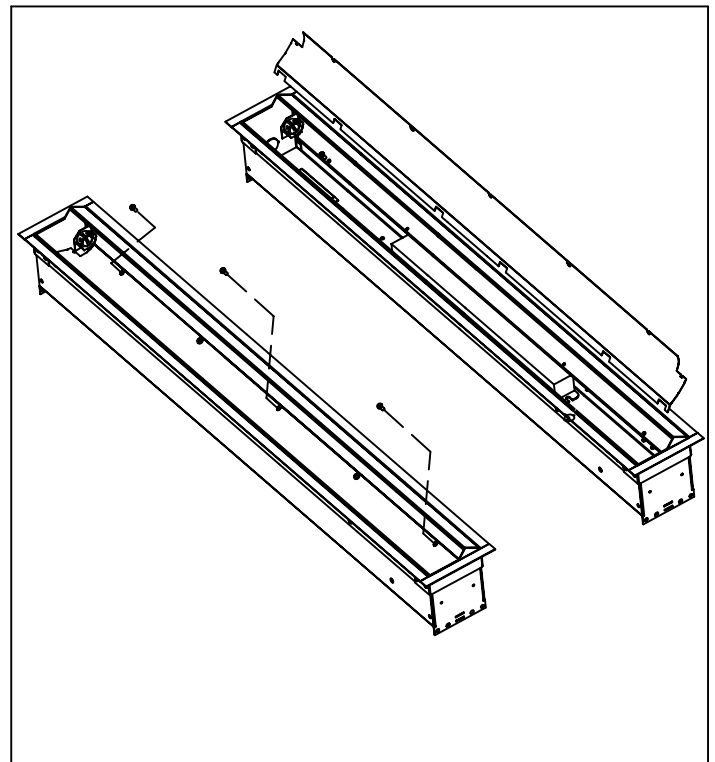
2. WHEN MOUNTING LUMINAIRES END TO END, MOUNTING YOKES LOCK TOGETHER VIA THREADED STUDS AND #8 KEPS NUTS.



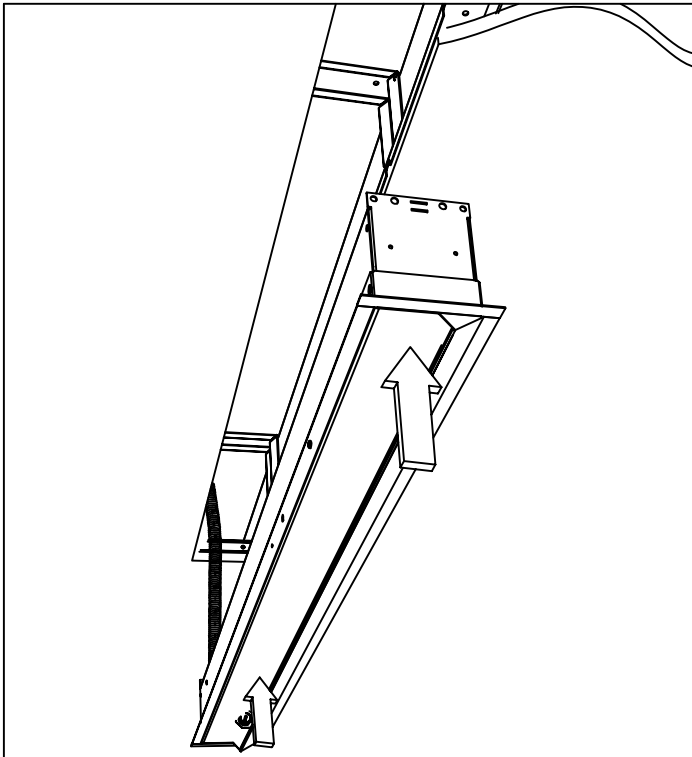
3. DROP FLEXIBLE CONDUIT THROUGH OPENING. APPLY DRYWALL TO CEILING PRIOR TO INSTALLATION OF FIXTURE.



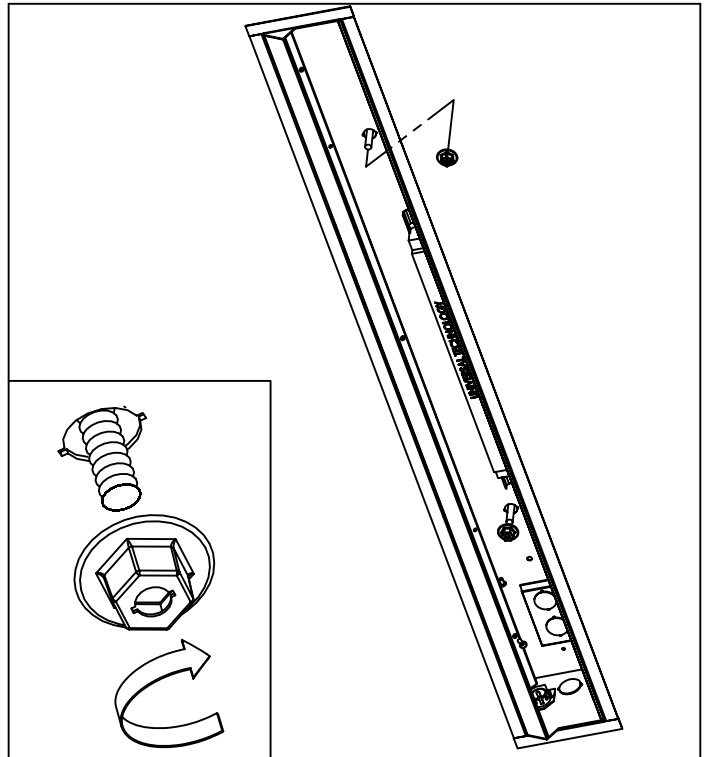
4. REMOVE 3 SCREWS (EACH END AND ONE IN THE MIDDLE) AND REMOVE REFLECTOR FROM HOUSING.



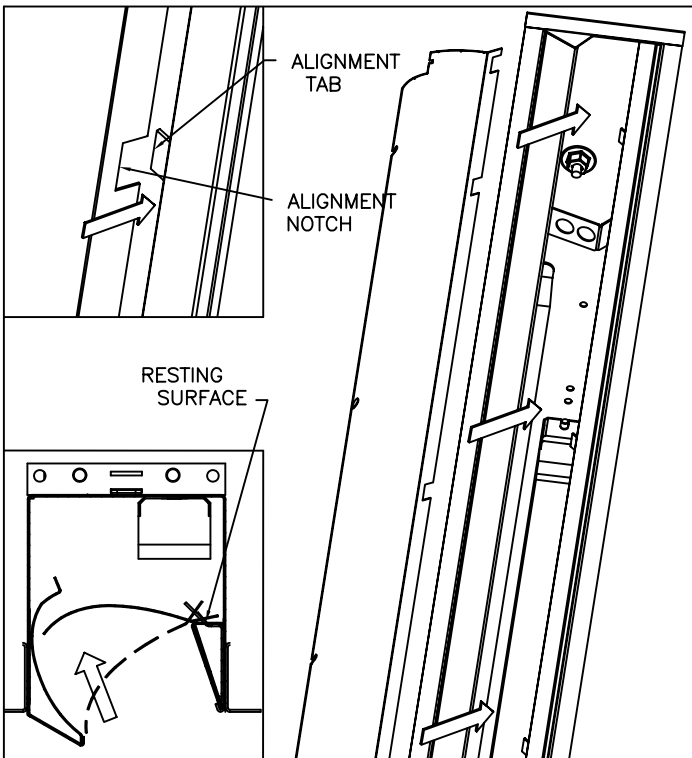
5. MAKE ELECTRICAL CONNECTION THROUGH THE ACCESS PLATE . REMOVE TWO OF 1/2" KNOCK-OUT ON TOP SIDE OF HOUSING TO GAIN ACCESS TO CARRIAGE BOLT. SLIDE FIXTURE THROUGH CEILING OPENING. ALIGN CARRIAGE BOLTS ON YOKE WITH KNOCK OUT HOLES IN HOUSING.



6. FASTEN HOUSING TO YOKE WITH PAL NUT (FP SUPPLIED).



7. INSTALL UPPER REFLECTOR REMOVED ON STEP 4. ALIGN NOTCHES ON REFLECTOR WITH ALIGNMENT TABS ON HOUSING. REFLECTOR MUST BE GUIDED IN BY ALIGNMENT TABS AND RESTING SURFACE.



8. FASTEN REFLECTOR BY REPLACING THREE SCREWS REMOVED PREVIOUSLY. INSTALL LAMP.

