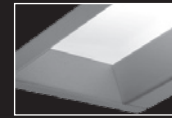
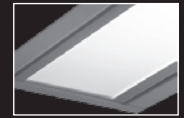


corrugated regress trim

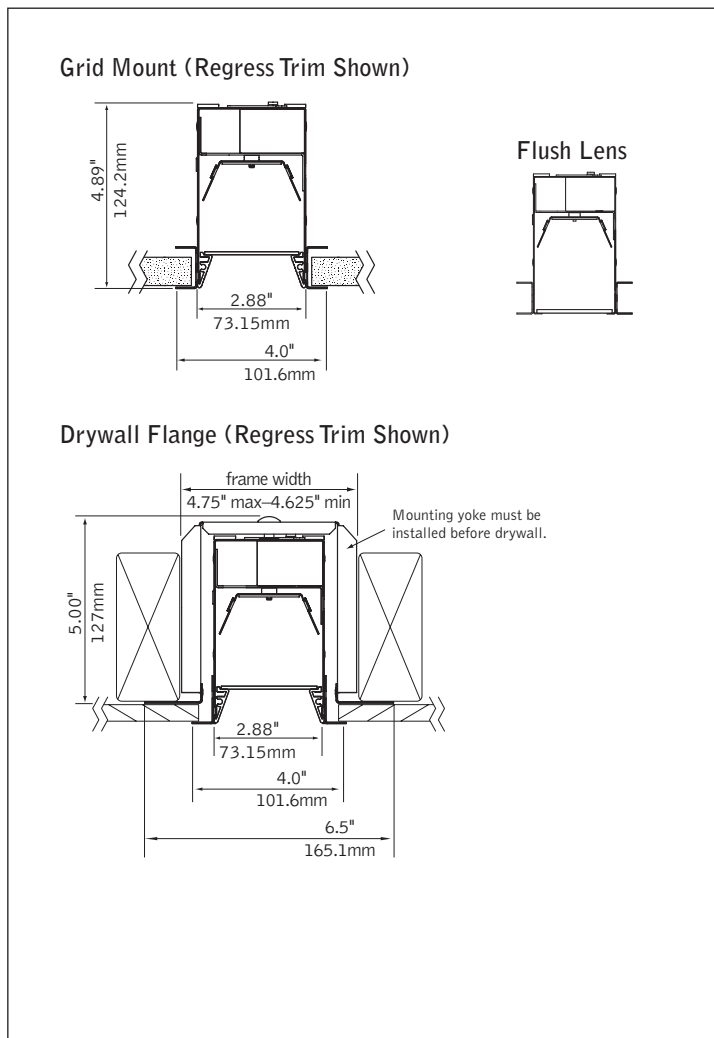


solid regress trim



flush lens

## DIMENSIONAL DATA



## FEATURES

Narrow 3" slot LED with frosted satin lens.

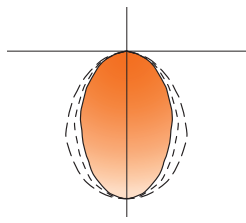
Shielding options include corrugated or solid regressed trim or flush lens.

Avenue B LED allows ceiling tiles to rest on fixture rails, keeping ceilings clean without the need for additional tees.

Drywall installation available.

Avenue® B LED is a great solution for general illumination in a narrow aperture.

## PERFORMANCE



**PRODUCT OVERVIEW**

Lumen Output:	1759-3217lm
Wattage:	22-38W
LPW:	73-92
SDCM:	3
Reported Lumen Maintenance:	L70 @ >60,000hrs

Standard Output (LL1)  
4' Housing with Flush Lens

**Delivered Lumens: 2034lm**

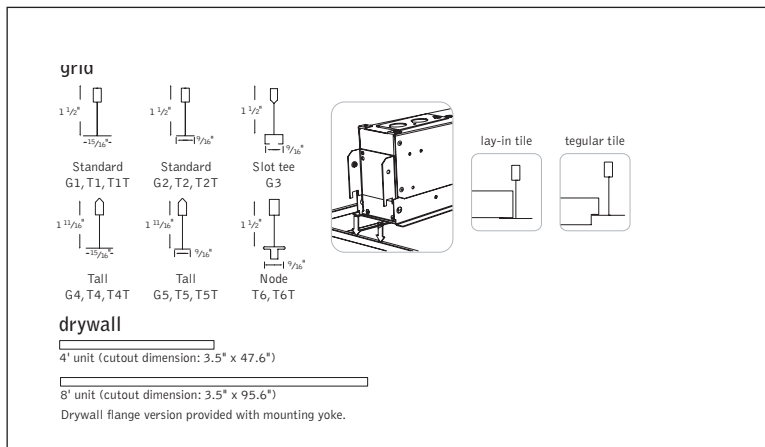
**Total System Watts: 22W**

Visit [focalpointlights.com](http://focalpointlights.com) for complete photometric data.

fixture:

project:

### MOUNTING INFORMATION



### SPECIFICATIONS

#### LED System

Proprietary linear LED module incorporates premium LEDs on a robust platform to achieve excellent thermal management. LEDs are placed to promote a uniform appearance. Available in 3000K, 3500K or 4000K with CRI>80, 3SDCM. LED modules and drivers are replaceable from below.

#### Construction

One-piece 20 Ga. steel housing. Thermally protected housing for new construction applications without direct contact with insulation. Insulation to be kept 3" away from housing. Corrugated and solid regress trim constructed of extruded aluminum finished in Matte Satin White. Grid luminaires include 20 Ga. steel, .5" wide flange rail finished in Matte Satin White. Drywall flange option is provided with 20 Ga. steel, .5" wide flange kit and 20 Ga. galvanized steel mounting yoke. 2' unit weight: 5 lbs., 4' unit weight: 7 lbs.

#### Optic

22 Ga. steel reflectors finished in High Reflectance White powder coat. Frosted Acrylic lens diffuser .118" thick.

#### Electrical

Thru-wiring not available. Voltage specific thermal protectors included standard.

#### Emergency Battery

Bodine BSL310-CAN. Emergency output - 10 watts for 90 minutes. Maximum mounting height: 20ft.

#### Labels

UL and cUL Listed. Suitable for Dry or Damp Locations, indoor use only.

#### Finish

Polyester powder coat applied over a 5-stage pre-treatment.

#### Lumen Maintenance

Calculated: L70 at 84,000 hours Reported: L70 at >60,000 hours  
Derived from EPA TM-21 calculator based on 10,000 hours of test data.

#### Warranty

LED system rated for operation in ambient environments up to 25°C. 5 year limited warranty.

### 4' PERFORMANCE CHART

Shielding	LED System	Tested System		
		Delivered Lumens	Watts	LPW
SR	Standard output	1759	22	80
	Medium output	2164	27	80
	High output	2769	38	73
FL	Standard output	2034	22	92
	Medium output	2425	27	90
	High output	3217	38	85

\*Based on 3500K. Lumen output may vary +/- 5%. Actual wattage may vary +/- 5%

Focal Point LLC reserves the right to change specifications for product improvement without notification.

### ORDERING

Luminaire Series	FAVBL	_____
Avenue B LED	FAVBL	_____
<b>Shielding</b>		
Corrugated Regressed Trim Frst.Lns	CR	_____
Solid Regressed Trim Frosted Lens	SR	_____
Flush Frosted Lens	FL	_____
<b>LED System</b>		
Standard Output	LL1	_____
Medium Output	LL2	_____
High Output	LL3	_____
<b>Color Temperature</b>		
3000K	30K	_____
3500K	35K	_____
4000K	40K	_____
<b>Circuits</b>		
Single Circuit	1C	_____
<b>Voltage</b>		
120 Volt	120	_____
277 Volt	277	_____
<b>Driver</b>		
0-10V - 10% Dimming	LD1	_____
Lutron A-Series		_____
1% EcoSystem Digital	L3D	_____
<small>(LL3 output, 4' Housing only. Consult factory for 3-wire control)</small>		
Step Dimming	SD5	_____
<b>Ceiling Configurations*</b>		
Drywall Flange	F	_____
Std. 15/16" Lay-in	G1	_____
Std. 15/16" Tegular	T1	_____
Std. 15/16" Tegular, against Tee	T1T	_____
Std. 9/16" Lay-in	G2	_____
Std. 9/16" Tegular	T2	_____
Std. 9/16" Tegular, against Tee	T2T	_____
9/16" Slot-tee Tegular	G3	_____
Tall 15/16" Lay-in	G4	_____
Tall 15/16" Tegular	T4	_____
Tall 15/16" Tegular, against Tee	T4T	_____
Tall 9/16" Lay-in	G5	_____
Tall 9/16" Tegular	T5	_____
Tall 9/16" Tegular, against Tee	T5T	_____
Node 9/16" Tegular	T6	_____
Node 9/16" Tegular, against Tee	T6T	_____
<b>Factory Options</b>		
Chicago Plenum	CP	_____
Emergency Battery Pack*	EM	_____
<small>(Not available in 2' housing)</small>		
Positional Clips	EQ	_____
6' New York City Flex Whip	FNY	_____
6' Flex Whip	FW	_____
<small>(Sensor options available—consult factory)</small>		
<b>Finish</b>		
Matte White Housing	WH	_____
<b>Luminaire Length</b>		
4' Nominal Housing	4'	_____
8' Nominal Housing	8'	_____



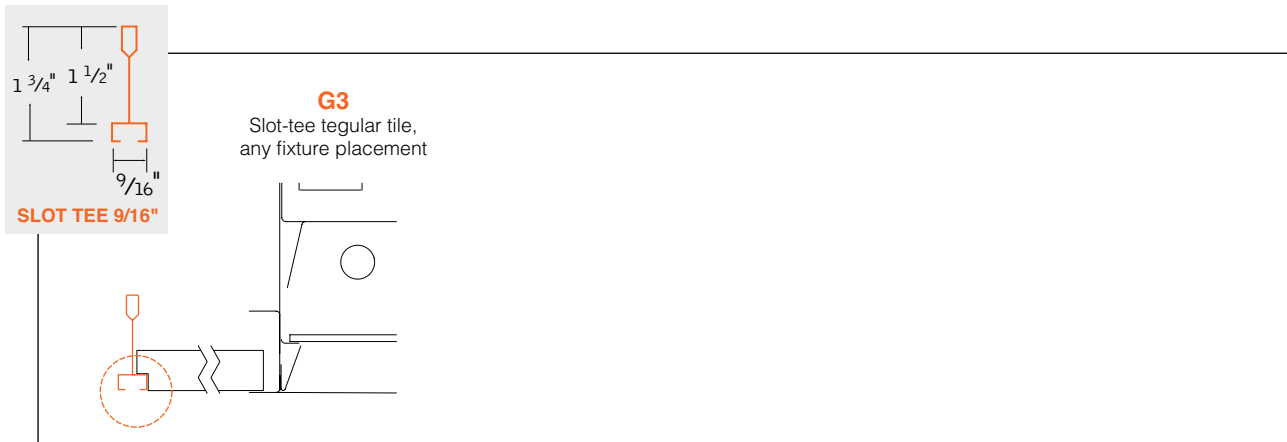
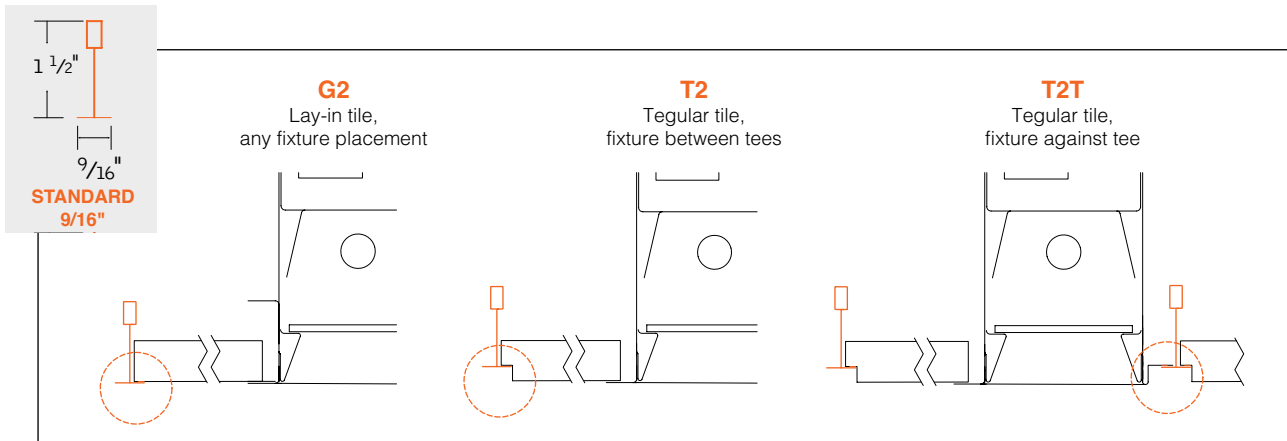
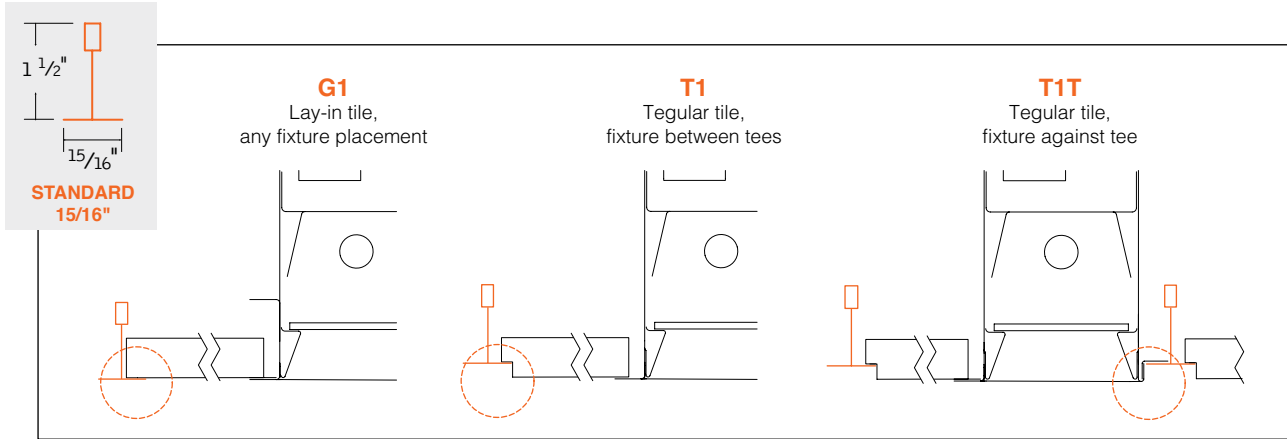
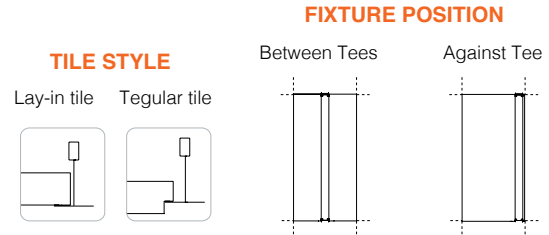
\*For more information visit focalpointlights.com/reference or consult factory. Quickship is a limited offering, visit focalpointlights.com/quickship for specifics.

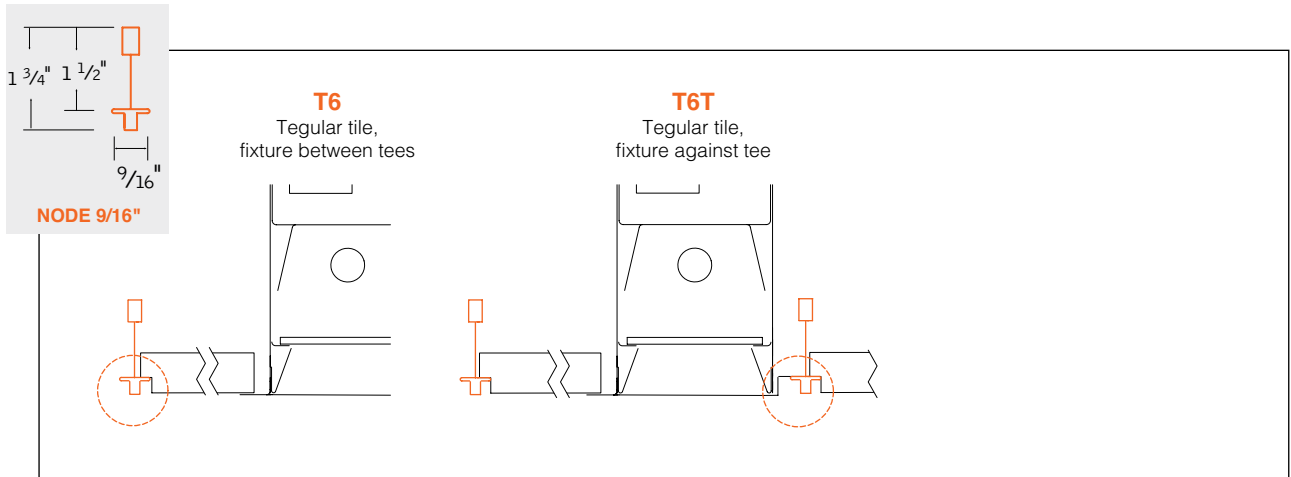
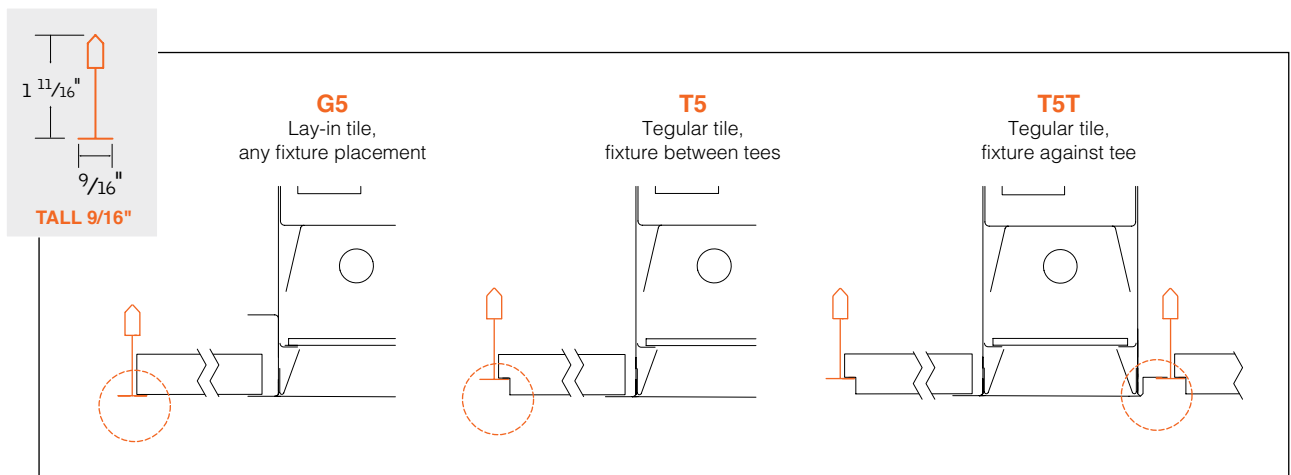
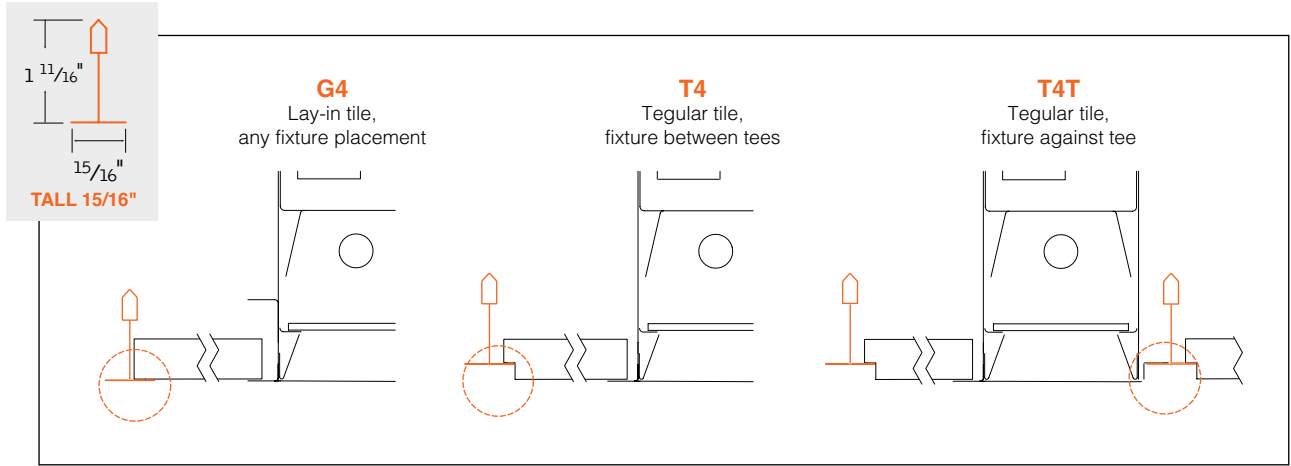
# Avenue® B

FLUORESCENT & LED GRID CEILING CONFIGURATIONS



Avenue B is configured at our factory to integrate easily with your specified grid type, tile style and fixture position. Please review the below options and choose the mounting code that matches your application.





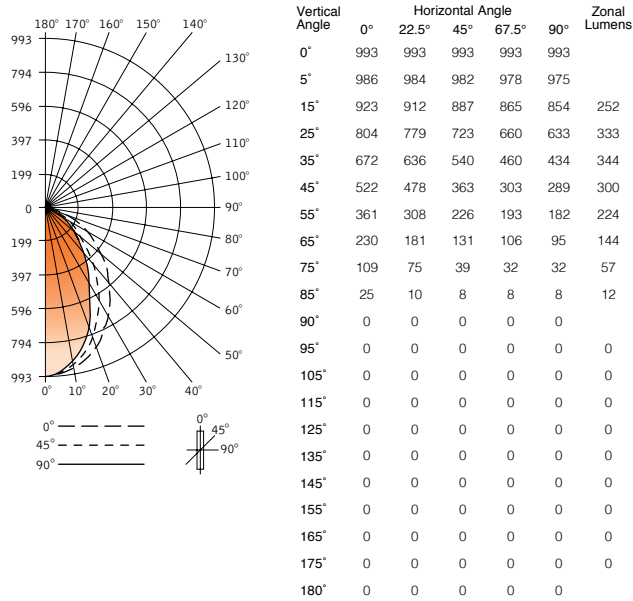
# Avenue® B

LED - SOLID REGRESSED TRIM

FAVBL-SR-LL1-L35-LD1-WH

Lumens: 1759lm  
System Watts: 22W  
LPW: 80

## CANDLEPOWER DISTRIBUTION



## LUMEN SUMMARY

Zone	Lumens	% Fixture
0-30°	679	38.6
0-40°	1023	58.1
0-60°	1547	87.9
0-90°	1759	100.0
<b>Total Luminaire 0-180°</b>	<b>1759</b>	<b>100.0</b>

## LUMINANCE DATA (CD/M²)

Vertical Angle	0°	45°	90°
45°	8789	6104	4870
55°	7484	4688	3783
65°	6474	3683	2679
75°	5012	1777	1458
85°	3383	1082	1082

Go to [www.focalpointlights.com](http://www.focalpointlights.com) for additional photometric data.

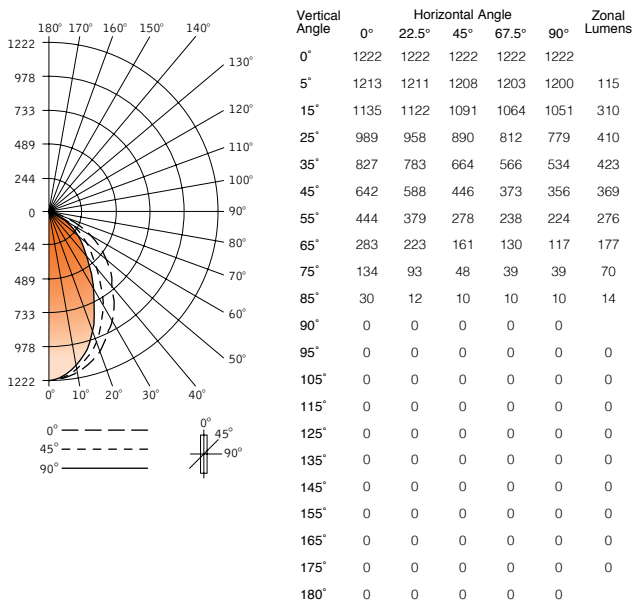
# Avenue® B

LED - SOLID REGRESSED TRIM

FAVBL-SR-LL2-L35-LD1-WH

Lumens: 2164lm  
System Watts: 30.8W  
LPW: 70

## CANDLEPOWER DISTRIBUTION



## LUMEN SUMMARY

Zone	Lumens	% Fixture
0-30°	835	38.6
0-40°	1258	58.1
0-60°	1903	87.9
0-90°	2164	100.0
<b>Total Luminaire 0-180°</b>	<b>2164</b>	<b>100.0</b>

## LUMINANCE DATA (CD/M²)

Vertical Angle	0°	45°	90°
45°	10813	7510	5991
55°	9207	5767	4654
65°	7964	4532	3296
75°	6166	2186	1794
85°	4162	1332	1332

Go to [www.focalpointlights.com](http://www.focalpointlights.com) for additional photometric data.

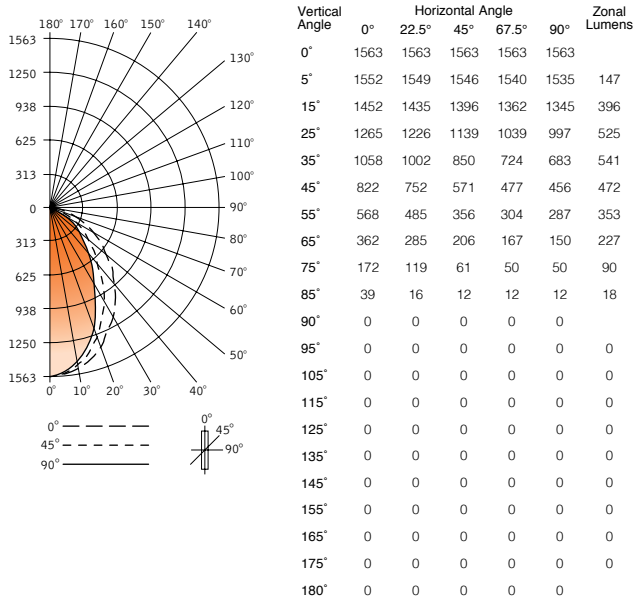
# Avenue® B

LED - SOLID REGRESSED TRIM

FAVB-SR-LL3-L35-LD1-F-WH

Lumens: 2769lm  
System Watts: 38W  
LPW: 73

## CANDLEPOWER DISTRIBUTION



## LUMEN SUMMARY

Zone	Lumens	% Fixture
0-30°	1068	38.6
0-40°	1610	58.1
0-60°	2435	87.9
0-90°	2769	100.0
<b>Total Luminaire 0-180°</b>	<b>2769</b>	<b>100.0</b>

## LUMINANCE DATA (CD/M<sup>2</sup>)

Vertical Angle	Horizontal Angle		
	0°	45°	90°
45°	13836	9609	7666
55°	11781	7380	5955
65°	10191	5798	4217
75°	7890	2797	2295
85°	5325	1704	1704

Go to [www.focalpointlights.com](http://www.focalpointlights.com) for additional photometric data.

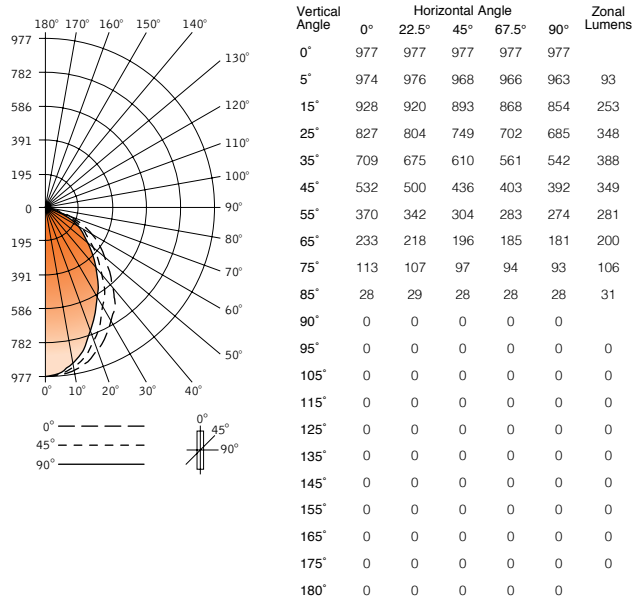
# Avenue® B

LED - FLUSH LENS

FAVB-FL-LL1-L35-LD1-WH

Lumens: 2048lm  
System Watts: 22W  
LPW: 92

## CANDLEPOWER DISTRIBUTION



## LUMEN SUMMARY

Zone	Lumens	% Fixture
0-30°	694	33.9
0-40°	1082	52.8
0-60°	1712	83.6
0-90°	2048	100.0
<b>Total Luminaire 0-180°</b>	<b>2048</b>	<b>100.0</b>

## LUMINANCE DATA (CD/M²)

Vertical Angle	0°	45°	90°
45°	10946	8974	8059
55°	9372	7716	6941
65°	8033	6742	6216
75°	6325	5466	5231
85°	4637	4637	4637

Go to [www.focalpointlights.com](http://www.focalpointlights.com) for additional photometric data.

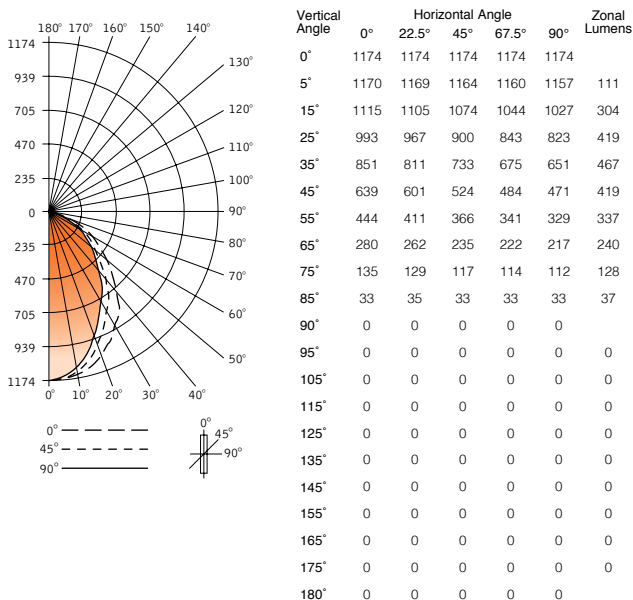
# Avenue® B

LED - FLUSH LENS

FAVB-FL-LL2-L35-LD1-WH

Lumens: 2462lm  
System Watts: 31.1W  
LPW: 79

## CANDLEPOWER DISTRIBUTION



## LUMEN SUMMARY

Zone	Lumens	% Fixture
0-30°	834	33.9
0-40°	1301	52.8
0-60°	2057	83.6
0-90°	2462	100.0
<b>Total Luminaire 0-180°</b>	<b>2462</b>	<b>100.0</b>

## LUMINANCE DATA (CD/M²)

Vertical Angle	0°	45°	90°
45°	12153	10784	9685
55°	11262	9272	8341
65°	9564	8102	7470
75°	7600	6568	6286
85°	5573	5573	5573

Go to [www.focalpointlights.com](http://www.focalpointlights.com) for additional photometric data.

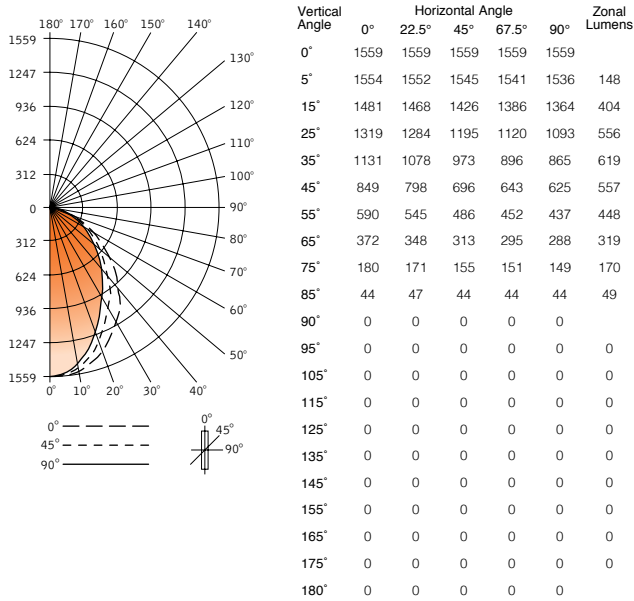
# Avenue<sup>®</sup>B

LED - FLUSH LENS

FAVB-FL-LL3-L35-LD1-WH

Lumens: 3268lm  
System Watts: 38W  
LPW: 85

## CANDLEPOWER DISTRIBUTION



## LUMEN SUMMARY

Zone	Lumens	% Fixture
0-30°	1108	33.9
0-40°	1727	52.8
0-60°	2731	83.6
0-90°	3268	100.0
<b>Total Luminaire 0-180°</b>	<b>3268</b>	<b>100.0</b>

## LUMINANCE DATA (CD/M<sup>2</sup>)

Vertical Angle	Horizontal Angle		
	0°	45°	90°
45°	17467	14320	12861
55°	14955	12313	11076
65°	12819	10759	9919
75°	10092	8722	8348
85°	7400	7400	7400

Go to [www.focalpointlights.com](http://www.focalpointlights.com) for additional photometric data.