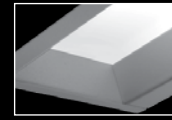
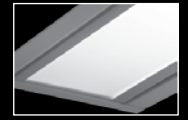


corrugated regress trim

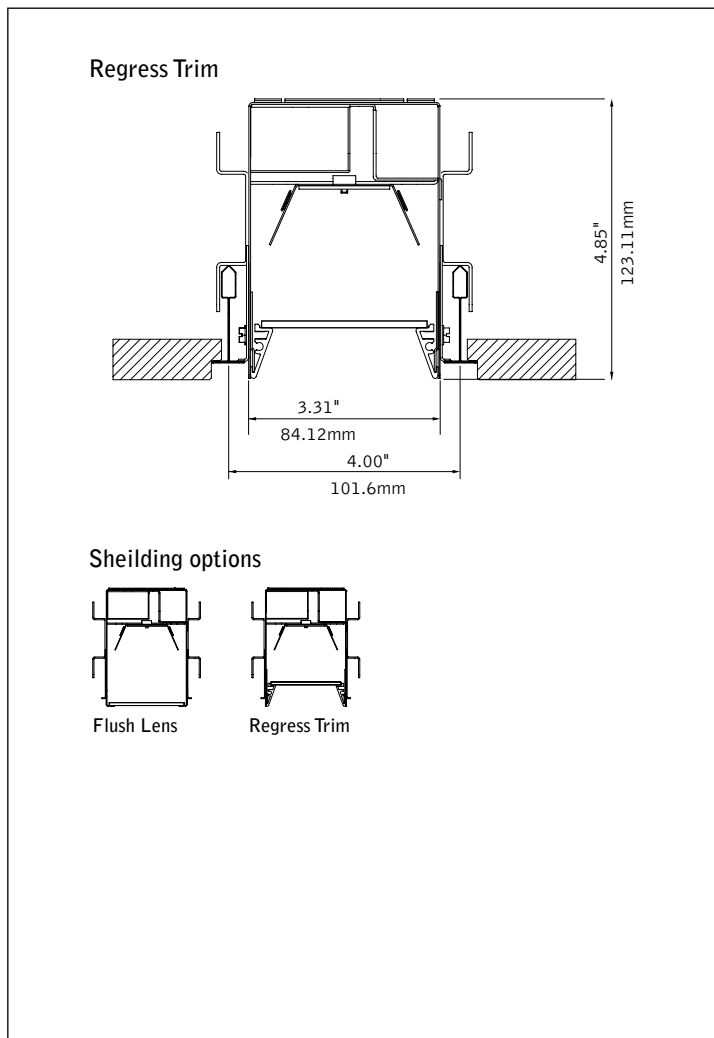


solid regress trim



flush lens

## DIMENSIONAL DATA



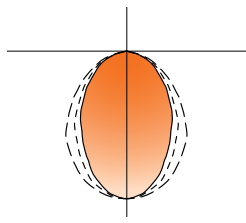
## FEATURES

Narrow 3" slot LED with frosted satin lens designed for 4" Armstrong® TechZone®.

Shielding options include corrugated or solid regressed trim or flush lens.

Avenue® B LED is a great solution for general illumination in a narrow aperture.

## PERFORMANCE



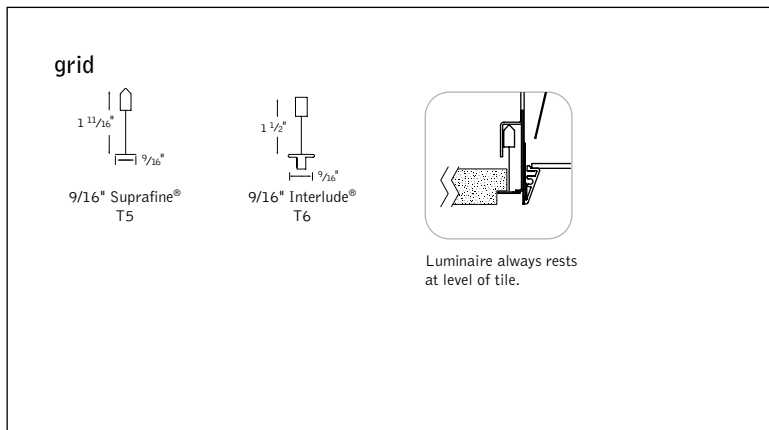
**PRODUCT OVERVIEW**

Lumen Output: 1759-3217lm  
 Wattage: 22-38W  
 LPW: 73-92  
 SDCM: 3  
 Reported Lumen L70 @ Maintenance: >60,000hrs

Standard Output (LL1)  
 4' Housing with Flush Lens  
**Delivered Lumens: 2034lm**  
**Total System Watts: 22W**

Visit [focalpointlights.com](http://focalpointlights.com) for complete photometric data.

**MOUNTING INFORMATION**



**SPECIFICATIONS**

**LED System**

Proprietary linear LED module incorporates premium LEDs on a robust platform to achieve excellent thermal management. LEDs are placed to promote a uniform appearance. Available in 3000K, 3500K or 4000K with CRI>80, 3SDCM. LED modules and drivers are replaceable from below.

**Construction**

One-piece 20 Ga. steel housing. Thermally protected housing for new construction applications without direct contact with insulation. Insulation to be kept 3" away from housing. Corrugated and solid regress trim constructed of 6063-T5 extruded aluminum finished in Matte Satin White. Luminaires include 20 Ga. steel, .5" wide flange rail finished in Matte Satin White. 4' unit weight: 7 lbs.

**Optic**

22 Ga. steel reflectors finished in High Reflectance White powder coat. Frosted Acrylic lens diffuser .118" thick.

**Electrical**

Thru-wiring not available. Voltage specific thermal protectors included standard.

**Emergency Battery**

Bodine BSL310-CAN. Emergency output - 10 watts for 90 minutes. Maximum mounting height 20ft.

**Labels**

UL and cUL Listed. Suitable for Dry or Damp Locations, indoor use only.

**Finish**

Polyester powder coat applied over a 5-stage pre-treatment.

**Lumen Maintenance**

Calculated: L70 at 84,000 hours    Reported: L70 at >60,000 hours  
 Derived from EPA TM-21 calculator based on 10,000 hours of test data.

**Warranty**

LED system rated for operation in ambient environments up to 25°C. 5 year limited warranty.

**4' PERFORMANCE CHART**

Shielding	LED System	Tested System		
		Delivered Lumens	Watts	LPW
SR	Standard output	1759	22	80
	Medium output	2164	27	80
	High output	2769	38	73
FL	Standard output	2034	22	92
	Medium output	2425	27	90
	High output	3217	38	85

\*Lumen output may vary +/- 5%. Actual wattage may vary +/- 5%



**ORDERING**

Luminaire Series	FAVBTZL
Avenue B LED	FAVBTZL
<b>Shielding</b>	
Corrugated Regressed Trim Frst.Lns	CR
Solid Regressed Trim Frosted Lens	SR
Flush Frosted Lens	FL
<b>LED System</b>	
Standard Output	LL1
Medium Output	LL2
High Output	LL3
<b>Color Temperature</b>	
3000K	30K
3500K	35K
4000K	40K
<b>Circuits</b>	
Single Circuit	1C
<b>Voltage</b>	
120 Volt	120
277 Volt	277
<b>Driver</b>	
0-10V - 10% Dimming	LD1
Lutron A-Series	
1% EcoSystem Digital <small>(Consult factory for 3-wire control)</small>	L3D
Step Dimming	SD5
<b>Ceiling Configurations*</b>	
9/16" Suprafine Tegular	T5
9/16" Interlude Node Tegular	T6
<b>Factory Options</b>	
Chicago Plenum	CP
Emergency Battery Pack* <small>(Not available in 2' housing)</small>	EM
Positional Clips	EQ
6' New York City Flex Whip	FNY
6' Flex Whip <small>(Sensor options available—consult factory)</small>	FW
<b>Finish</b>	
Matte White Housing	WH
<b>Luminaire Length</b>	
4' Nominal Housing	4'

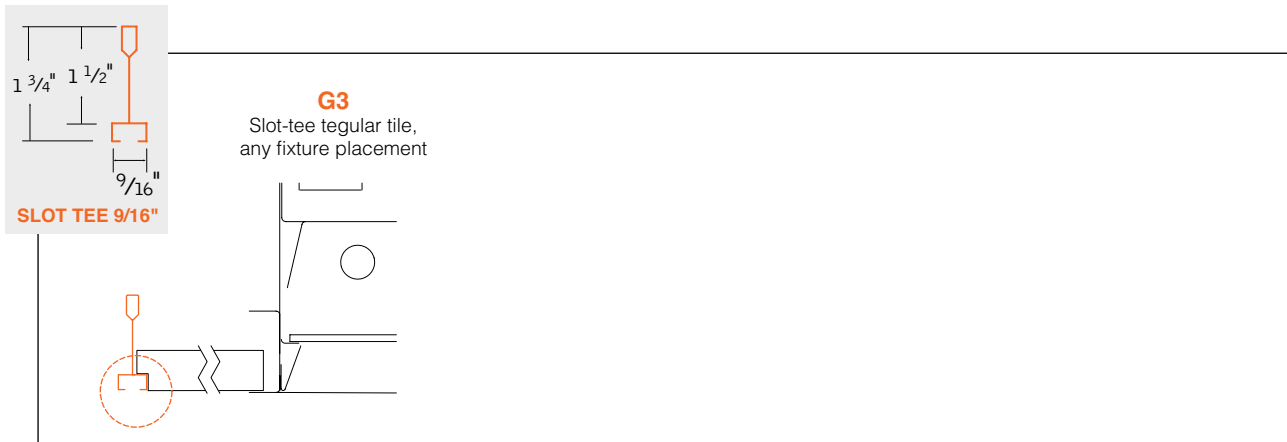
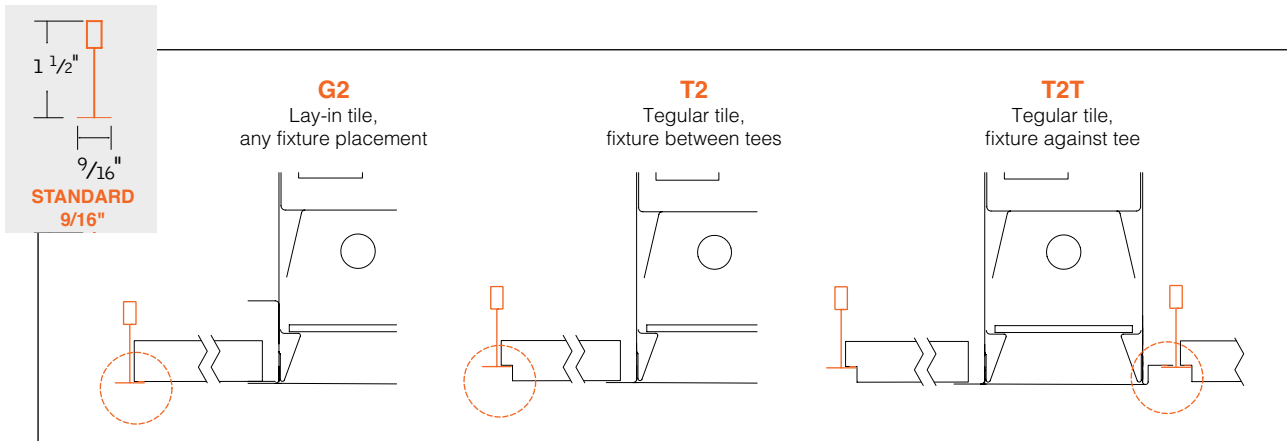
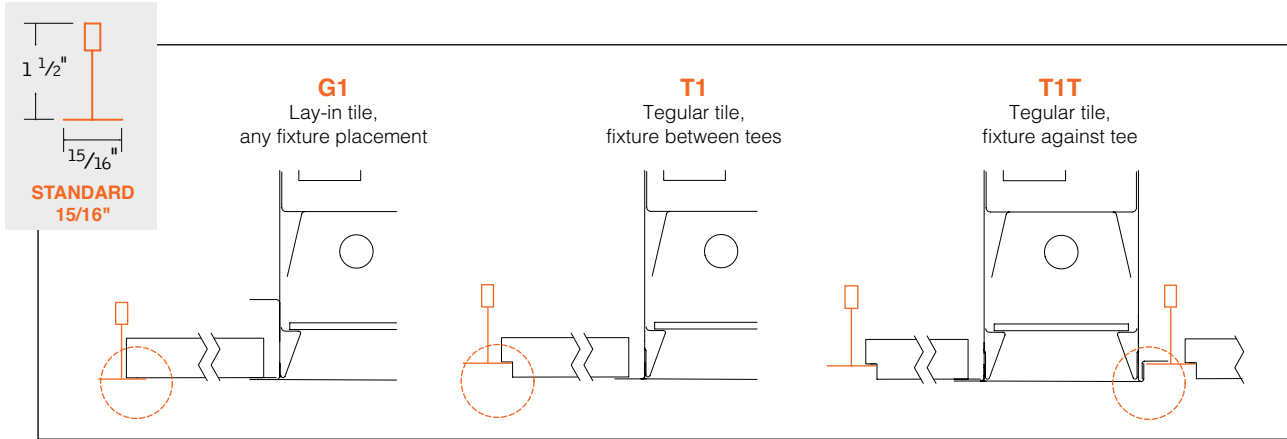
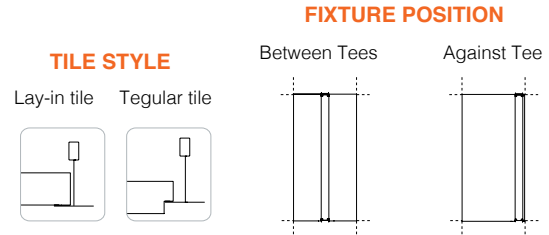


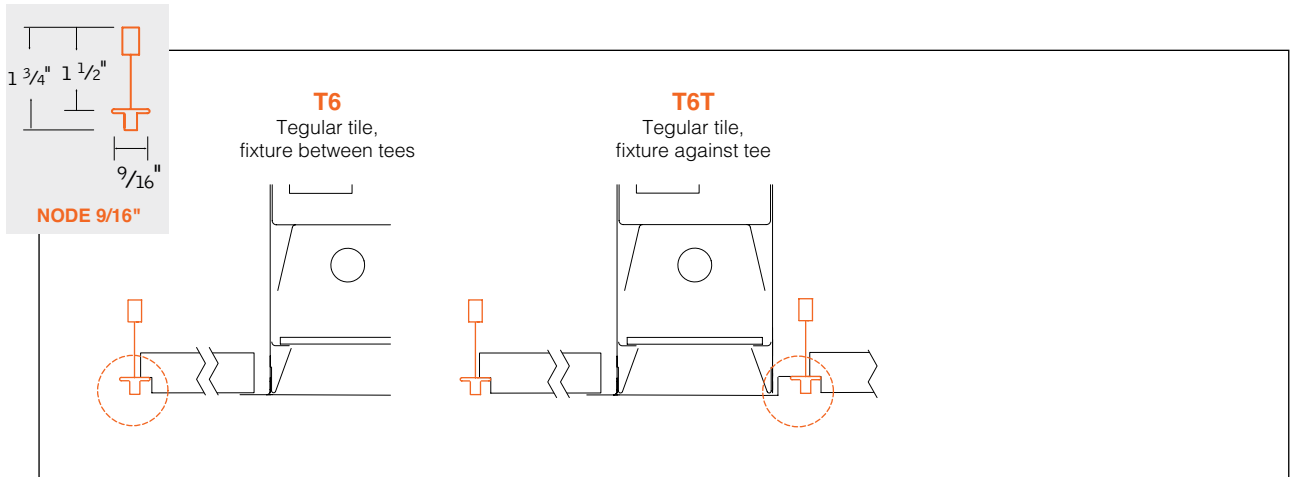
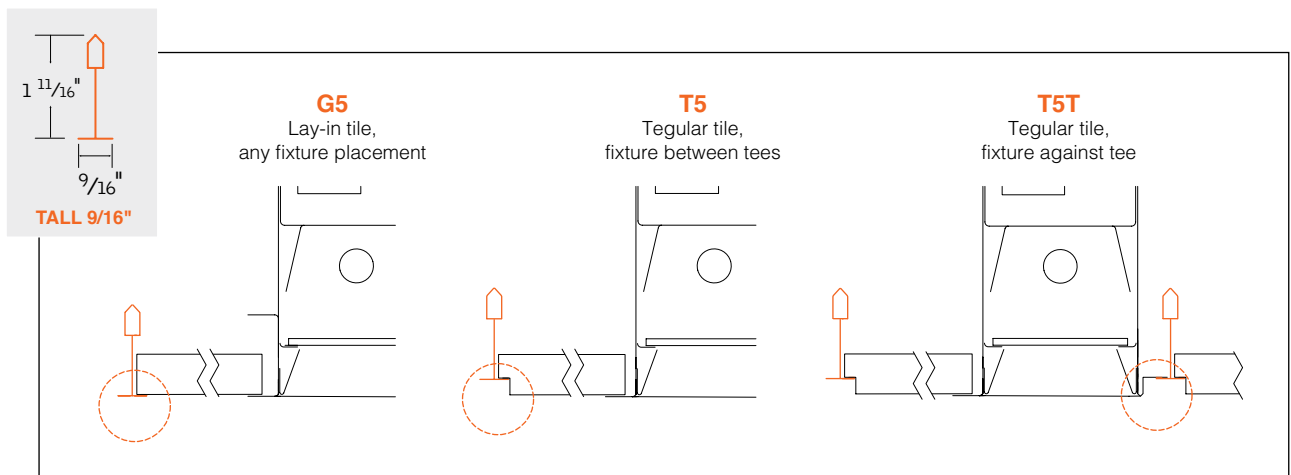
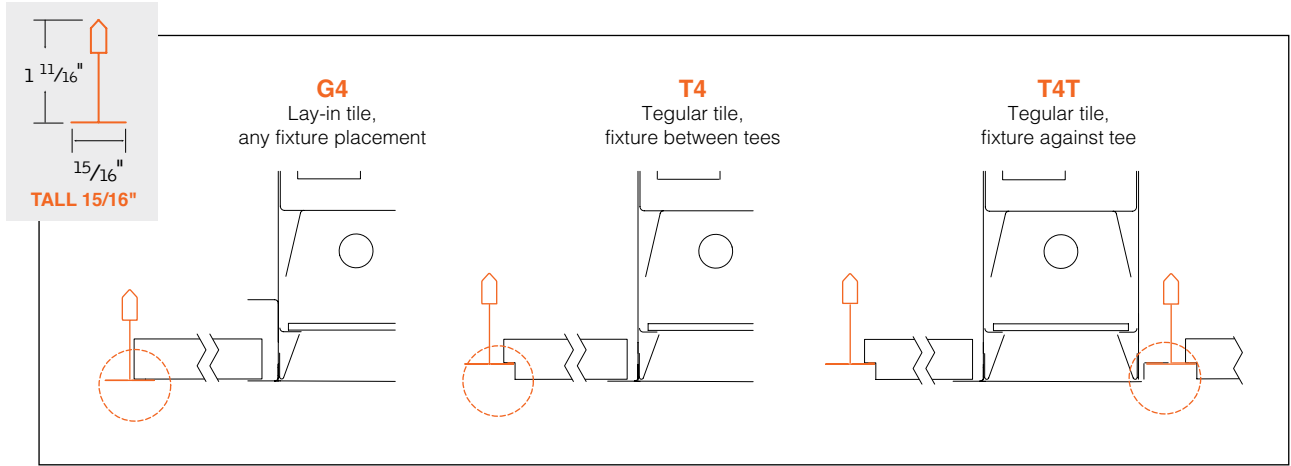
# Avenue<sup>®</sup> B

FLUORESCENT & LED GRID CEILING CONFIGURATIONS



Avenue B is configured at our factory to integrate easily with your specified grid type, tile style and fixture position. Please review the below options and choose the mounting code that matches your application.





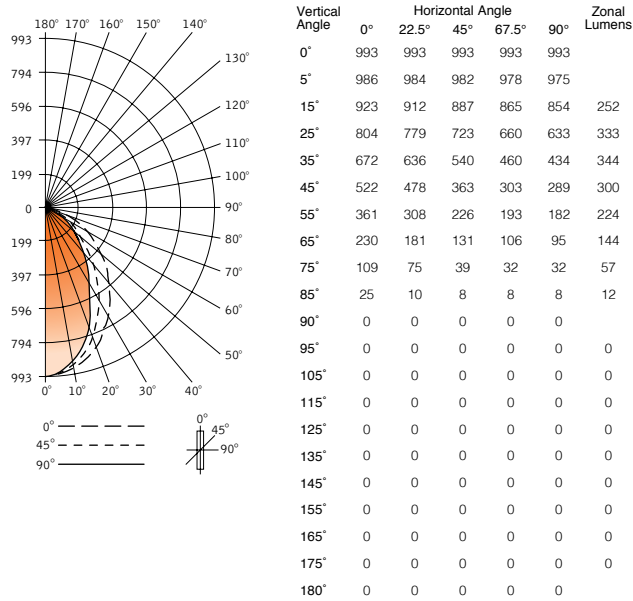
# Avenue® B

LED - SOLID REGRESSED TRIM

FAVBL-SR-LL1-L35-LD1-WH

Lumens: 1759lm  
System Watts: 22W  
LPW: 80

## CANDLEPOWER DISTRIBUTION



## LUMEN SUMMARY

Zone	Lumens	% Fixture
0-30°	679	38.6
0-40°	1023	58.1
0-60°	1547	87.9
0-90°	1759	100.0
<b>Total Luminaire 0-180°</b>	<b>1759</b>	<b>100.0</b>

## LUMINANCE DATA (CD/M²)

Vertical Angle	0°	45°	90°
45°	8789	6104	4870
55°	7484	4688	3783
65°	6474	3683	2679
75°	5012	1777	1458
85°	3383	1082	1082

Go to [www.focalpointlights.com](http://www.focalpointlights.com) for additional photometric data.

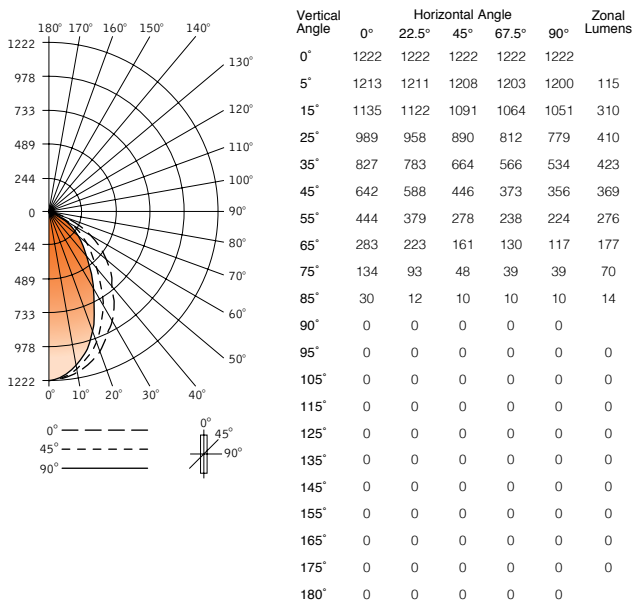
# Avenue® B

LED - SOLID REGRESSED TRIM

FAVBL-SR-LL2-L35-LD1-WH

Lumens: 2164lm  
System Watts: 30.8W  
LPW: 70

## CANDLEPOWER DISTRIBUTION



## LUMEN SUMMARY

Zone	Lumens	% Fixture
0-30°	835	38.6
0-40°	1258	58.1
0-60°	1903	87.9
0-90°	2164	100.0
<b>Total Luminaire 0-180°</b>	<b>2164</b>	<b>100.0</b>

## LUMINANCE DATA (CD/M²)

Vertical Angle	0°	45°	90°
45°	10813	7510	5991
55°	9207	5767	4654
65°	7964	4532	3296
75°	6166	2186	1794
85°	4162	1332	1332

Go to [www.focalpointlights.com](http://www.focalpointlights.com) for additional photometric data.

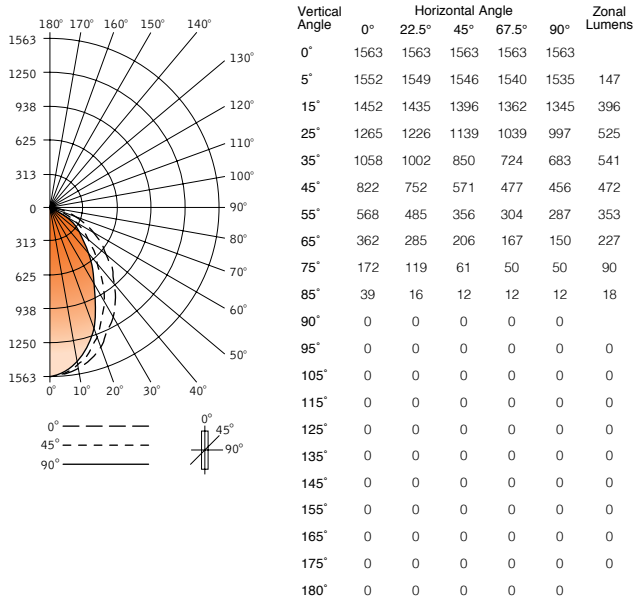
# Avenue<sup>®</sup>B

LED - SOLID REGRESSED TRIM

FAVB-SR-LL3-L35-LD1-F-WH

Lumens: 2769lm  
System Watts: 38W  
LPW: 73

## CANDLEPOWER DISTRIBUTION



## LUMEN SUMMARY

Zone	Lumens	% Fixture
0-30°	1068	38.6
0-40°	1610	58.1
0-60°	2435	87.9
0-90°	2769	100.0
<b>Total Luminaire 0-180°</b>	<b>2769</b>	<b>100.0</b>

## LUMINANCE DATA (CD/M<sup>2</sup>)

Vertical Angle	Horizontal Angle		
	0°	45°	90°
45°	13836	9609	7666
55°	11781	7380	5955
65°	10191	5798	4217
75°	7890	2797	2295
85°	5325	1704	1704

Go to [www.focalpointlights.com](http://www.focalpointlights.com) for additional photometric data.

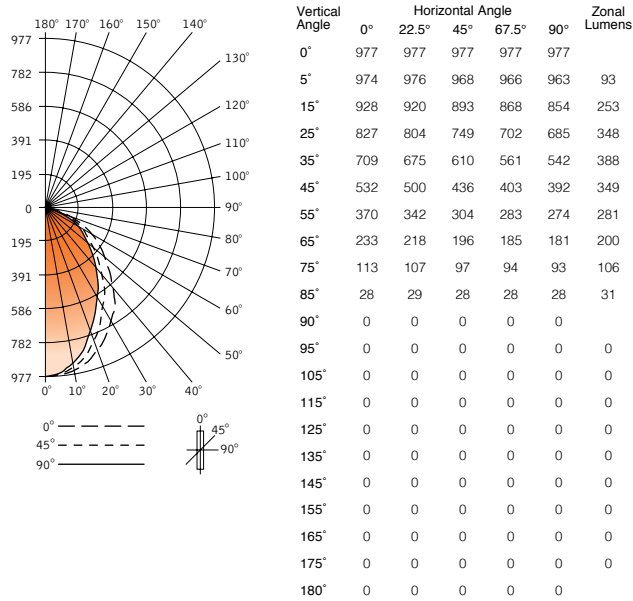
# Avenue® B

LED - FLUSH LENS

FAVB-FL-LL1-L35-LD1-WH

Lumens: 2048lm  
System Watts: 22W  
LPW: 92

## CANDLEPOWER DISTRIBUTION



## LUMEN SUMMARY

Zone	Lumens	% Fixture
0-30°	694	33.9
0-40°	1082	52.8
0-60°	1712	83.6
0-90°	2048	100.0
<b>Total Luminaire 0-180°</b>	<b>2048</b>	<b>100.0</b>

## LUMINANCE DATA (CD/M²)

Vertical Angle	0°	45°	90°
45°	10946	8974	8059
55°	9372	7716	6941
65°	8033	6742	6216
75°	6325	5466	5231
85°	4637	4637	4637

Go to [www.focalpointlights.com](http://www.focalpointlights.com) for additional photometric data.

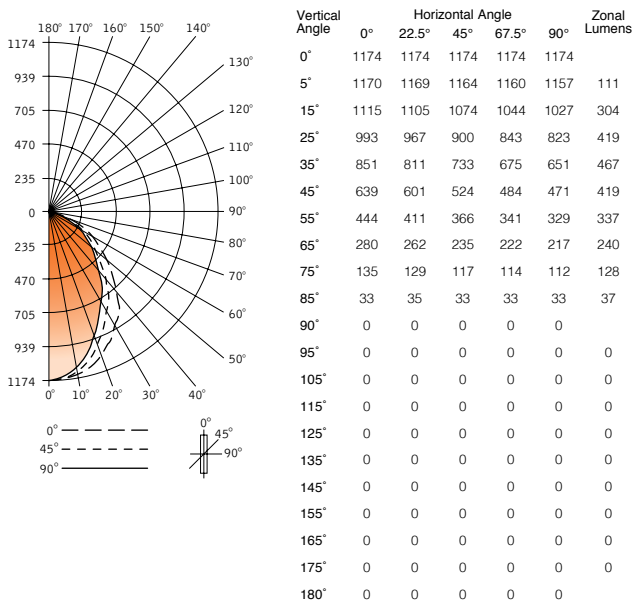
# Avenue® B

LED - FLUSH LENS

FAVB-FL-LL2-L35-LD1-WH

Lumens: 2462lm  
System Watts: 31.1W  
LPW: 79

## CANDLEPOWER DISTRIBUTION



## LUMEN SUMMARY

Zone	Lumens	% Fixture
0-30°	834	33.9
0-40°	1301	52.8
0-60°	2057	83.6
0-90°	2462	100.0
<b>Total Luminaire 0-180°</b>	<b>2462</b>	<b>100.0</b>

## LUMINANCE DATA (CD/M²)

Vertical Angle	0°	45°	90°
45°	12153	10784	9685
55°	11262	9272	8341
65°	9564	8102	7470
75°	7600	6568	6286
85°	5573	5573	5573

Go to [www.focalpointlights.com](http://www.focalpointlights.com) for additional photometric data.

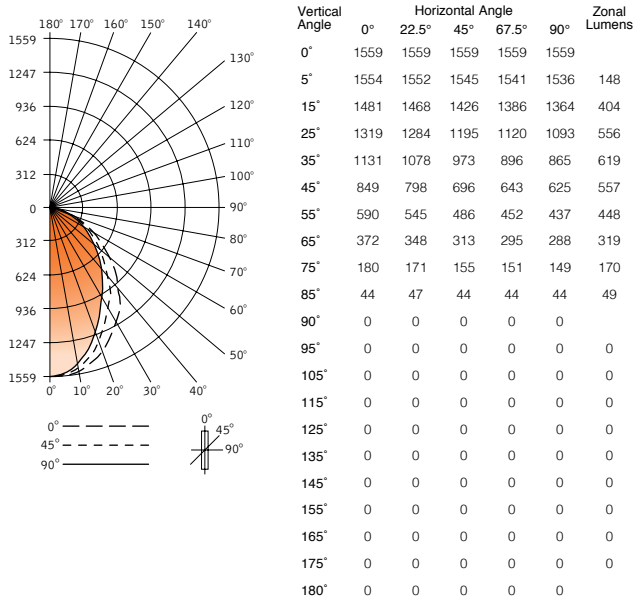
# Avenue® B

LED - FLUSH LENS

FAVB-FL-LL3-L35-LD1-WH

Lumens: 3268lm  
System Watts: 38W  
LPW: 85

## CANDLEPOWER DISTRIBUTION



## LUMEN SUMMARY

Zone	Lumens	% Fixture
0-30°	1108	33.9
0-40°	1727	52.8
0-60°	2731	83.6
0-90°	3268	100.0
<b>Total Luminaire 0-180°</b>	<b>3268</b>	<b>100.0</b>

## LUMINANCE DATA (CD/M²)

Vertical Angle	Horizontal Angle		
	0°	45°	90°
45°	17467	14320	12861
55°	14955	12313	11076
65°	12819	10759	9919
75°	10092	8722	8348
85°	7400	7400	7400

Go to [www.focalpointlights.com](http://www.focalpointlights.com) for additional photometric data.