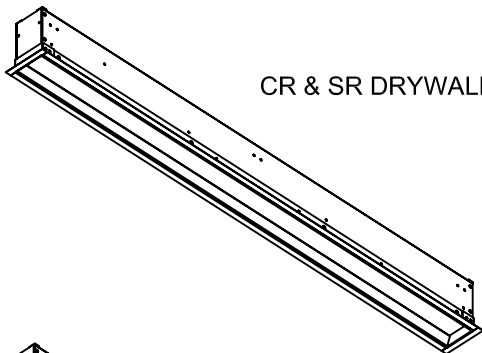


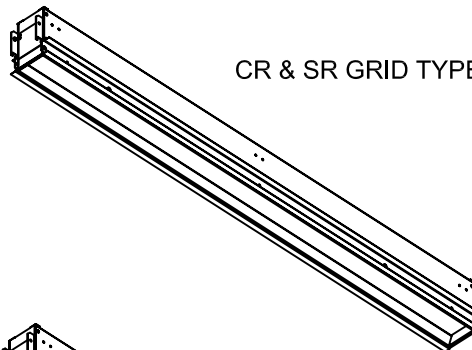
FAVB - AVENUE B

SAFETY AND INSTALLATION INSTRUCTIONS

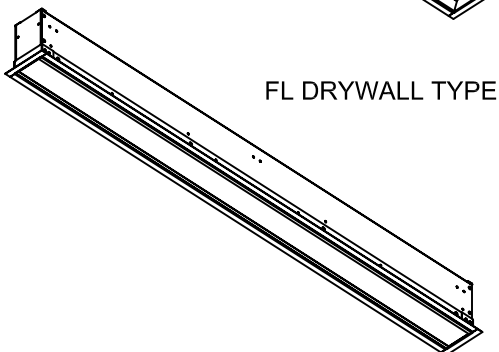
FIXTURES MUST BE INSTALLED BY A QUALIFIED ELECTRICIAN (CHECK WITH LOCAL AND NATIONAL CODES FOR PROPER INSTALLATION). TO PREVENT ELECTRICAL SHOCK, DISCONNECT ELECTRICAL SUPPLY BEFORE INSTALLATION OR SERVICING.



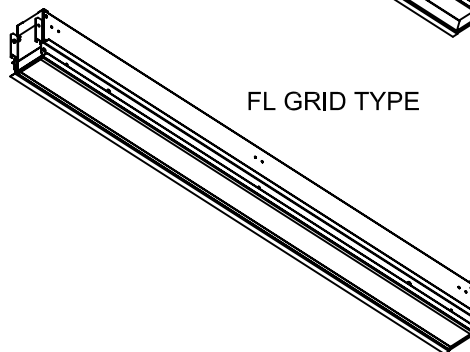
CR & SR DRYWALL TYPE



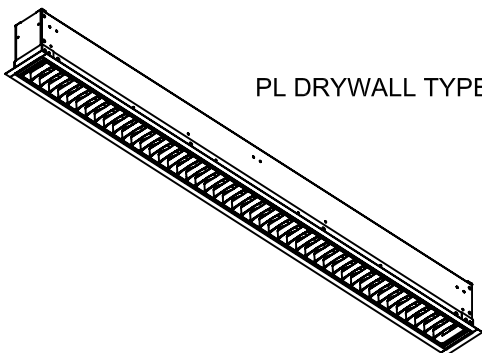
CR & SR GRID TYPE



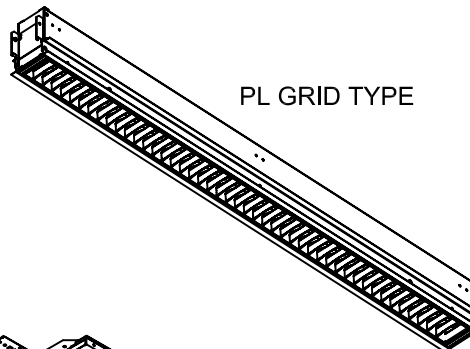
FL DRYWALL TYPE



FL GRID TYPE

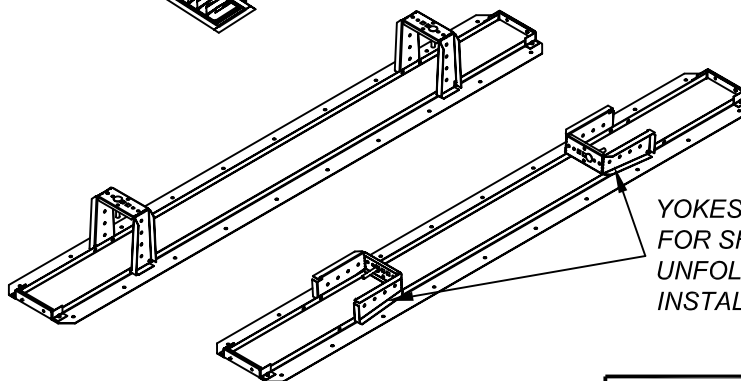


PL DRYWALL TYPE



PL GRID TYPE

DRYWALL FRAME
(3' & 4')



YOKES ARE FOLDED
FOR SHIPPING.
UNFOLD PRIOR TO
INSTALLATION.

1. READ ALL INSTRUCTIONS PRIOR TO INSTALLATION.
2. DISCONNECT ELECTRICAL POWER BEFORE SERVICING LUMINAIRE.
3. TO AVOID DAMAGE, KEEP LUMINAIRE IN ORIGINAL CARTON.
4. DO NOT PLACE HEAVY OBJECTS ON CARTONS.

CONTRACTOR IS RESPONSIBLE FOR ADEQUATELY REINFORCING WALLS AND/OR CEILINGS TO SUPPORT FIXTURE WEIGHT. FOCAL POINT, L.L.C. ACCEPTS NO RESPONSIBILITY FOR INADEQUATELY REINFORCED WALLS AND/OR CEILINGS.

THE INFORMATION CONTAINED IN THIS DRAWING IS THE SOLE PROPERTY OF FOCAL POINT LLC. ANY REPRODUCTION IN PART OR WHOLE WITHOUT THE WRITTEN PERMISSION OF FOCAL POINT LLC IS PROHIBITED. 2007 FOCAL POINT LLC



INSTALLATION GUIDE NO.

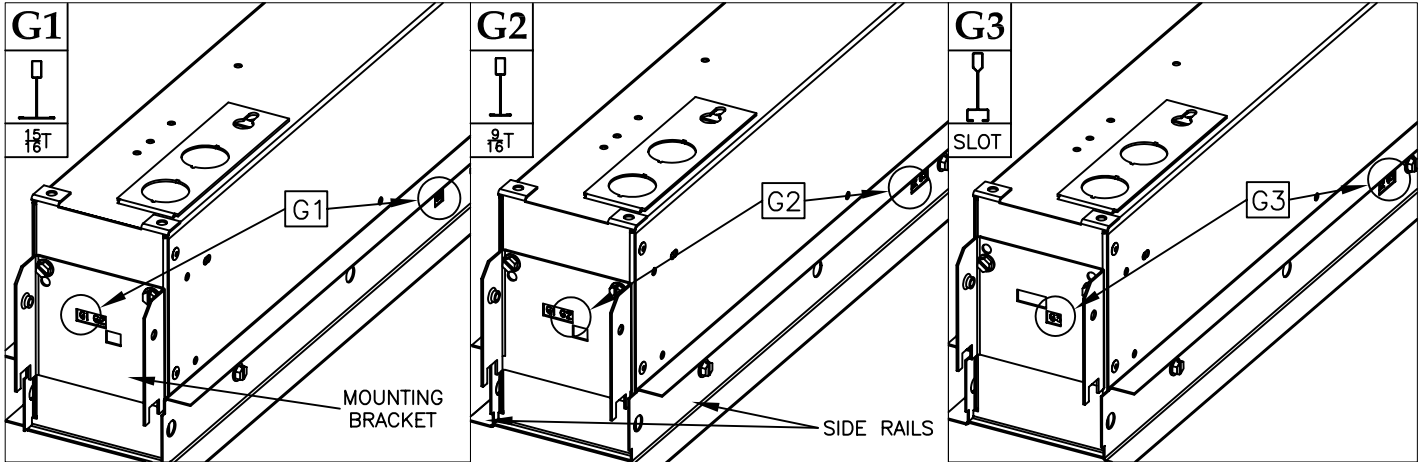
IS0217

DWG. NO.

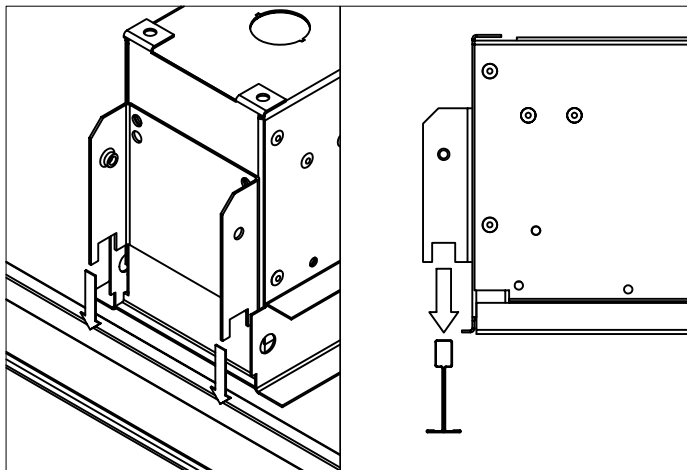
REV. B

FAVB - GRID INSTALLATION

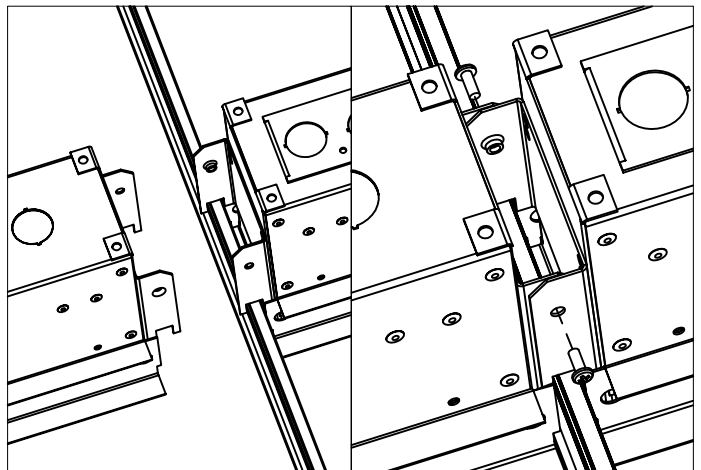
1. MOUNTING BRACKETS ARE PRESET FOR SPECIFIED T-BAR TYPE AT FACTORY. IF FIELD ADJUSTMENT IS REQUIRED, MODIFY MOUNTING HOLE LOCATION BY LOOSENING TWO MOUNTING BRACKET SCREWS. SIDE RAILS ARE ALSO PRESET AT FACTORY. IF MODIFICATION IS REQUIRED, REMOVE SCREWS HOLDING SIDE RAILS, FLIP SIDE RAIL AS SHOWN BELOW.



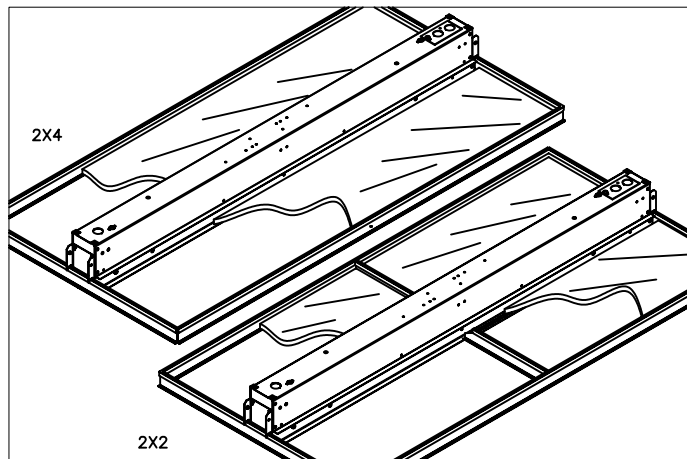
2. PLACE LUMINAIRE ON CEILING GRID BY HOOKING ONTO CEILING T-BAR AS SHOWN.



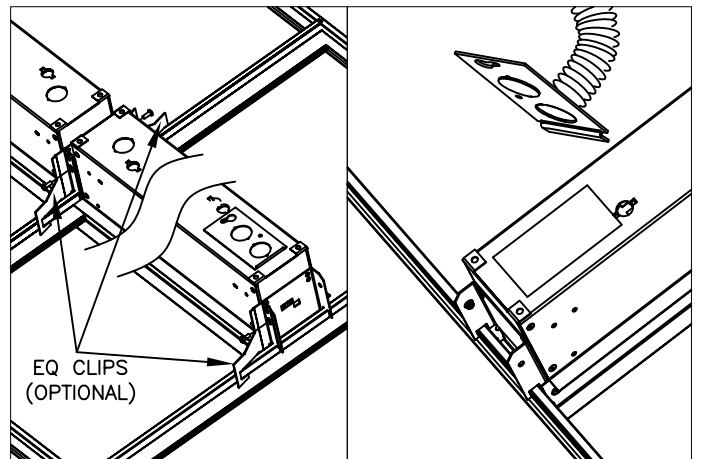
3. MOUNTING BRACKET SLIDES TOGETHER TO LOCK AND ALIGN MULTIPLE LUMINAIRE INTO PLACE. TWO #8 SCREWS SUPPLIED.



4. CUT 3.5\"/>

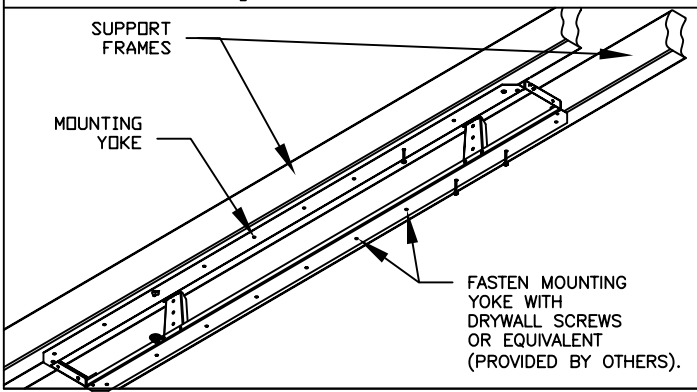
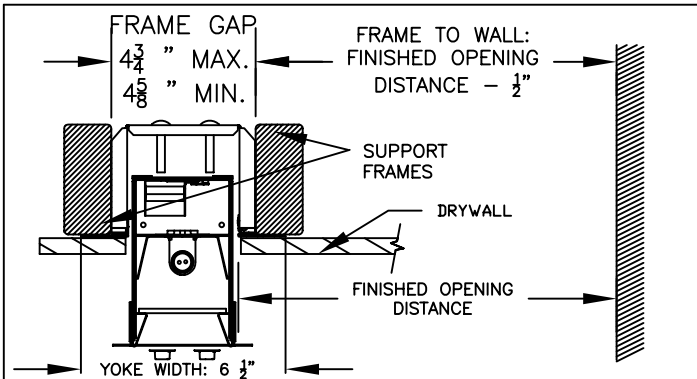


5. INSTALL EQ CLIPS (OPTIONAL EQUIPMENT) AS SHOWN AND MAKE ELECTRICAL CONNECTION VIA ACCESS PLATE TO COMPLETE INSTALLATION.

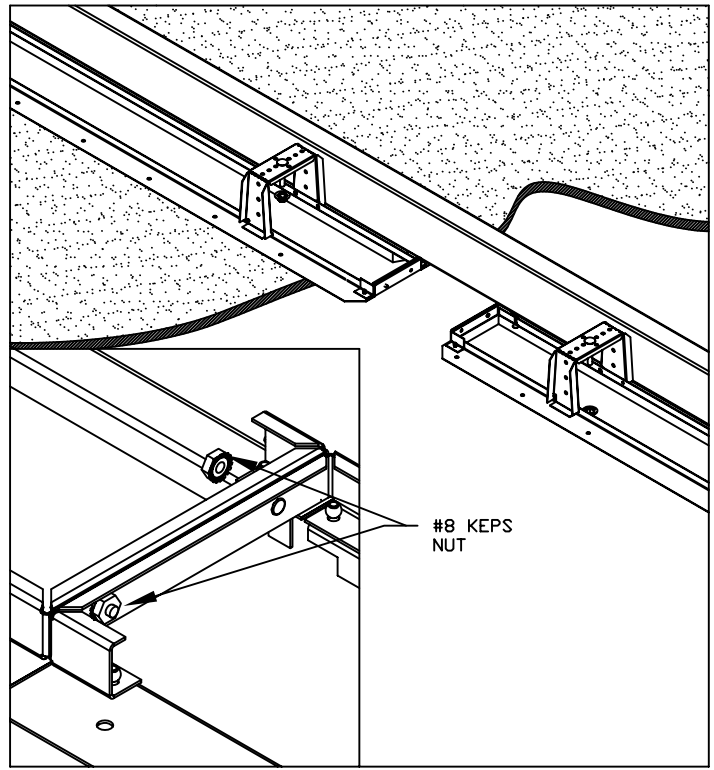


FAVB - DRYWALL INSTALLATION

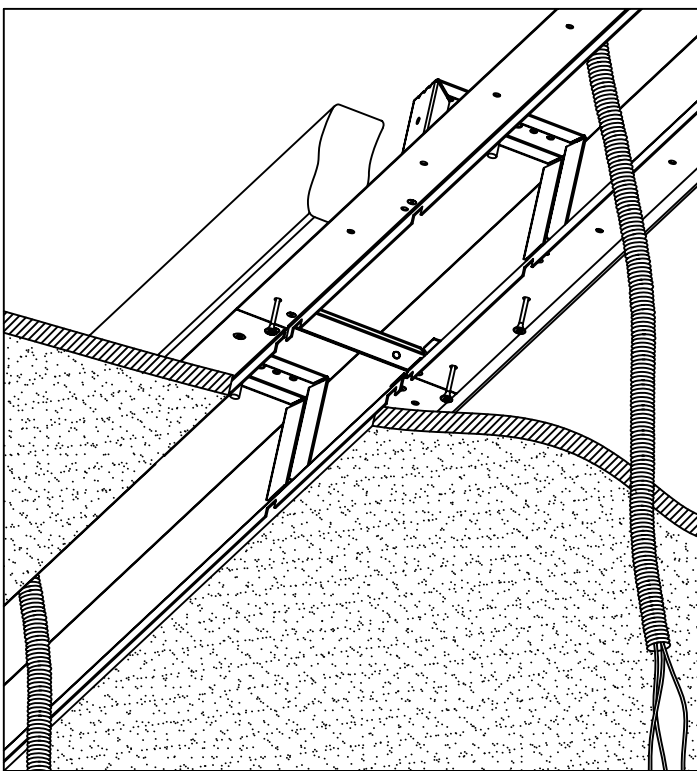
1. BUILD SUPPORT FRAMES TO INSTALL MOUNTING YOKES. (I.E. 2"X4" STUD) FOLLOW THE DIMENSIONS SHOWN BELOW. SUBTRACT $\frac{1}{2}$ " FROM THE DISTANCE OF EDGE OF OPENING TO WALL SURFACE TO GET SUPPORT FRAME LOCATION.



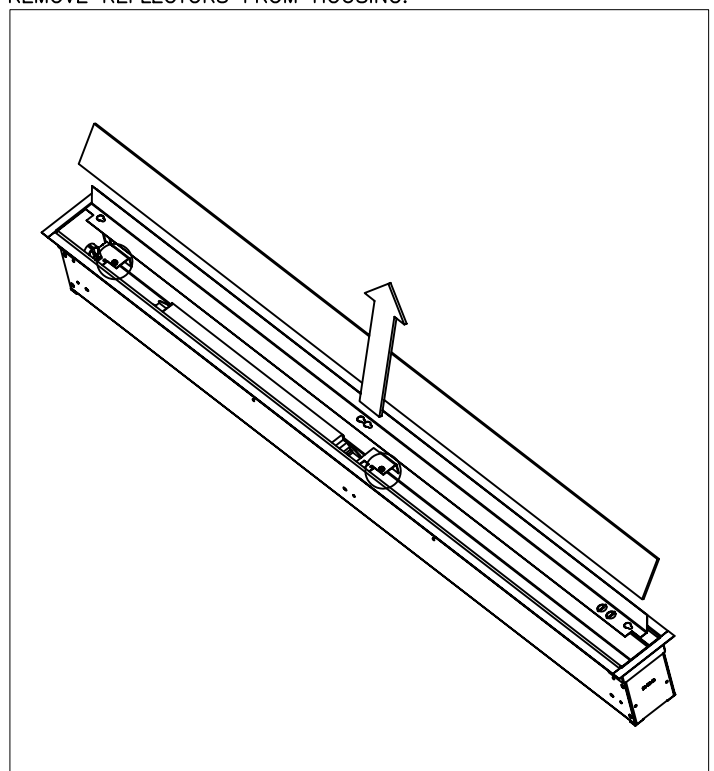
2. WHEN MOUNTING FIXTURES END TO END, MOUNTING YOKES LOCK TOGETHER VIA THREADED STUDS AND #8 KEPS NUTS (FP SUPPLIED).



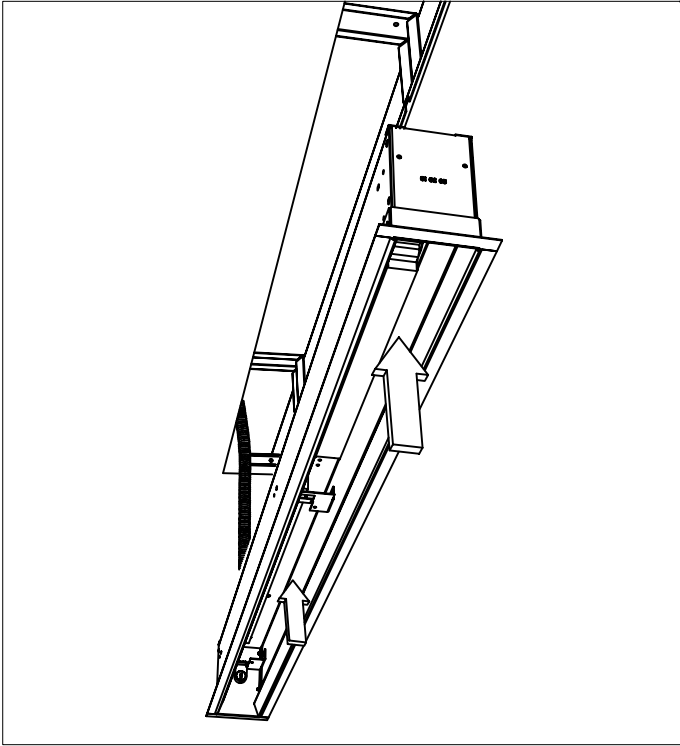
3. DROP FLEXIBLE CONDUIT THROUGH OPENING. APPLY DRYWALL TO CEILING PRIOR TO INSTALLATION OF FIXTURE.



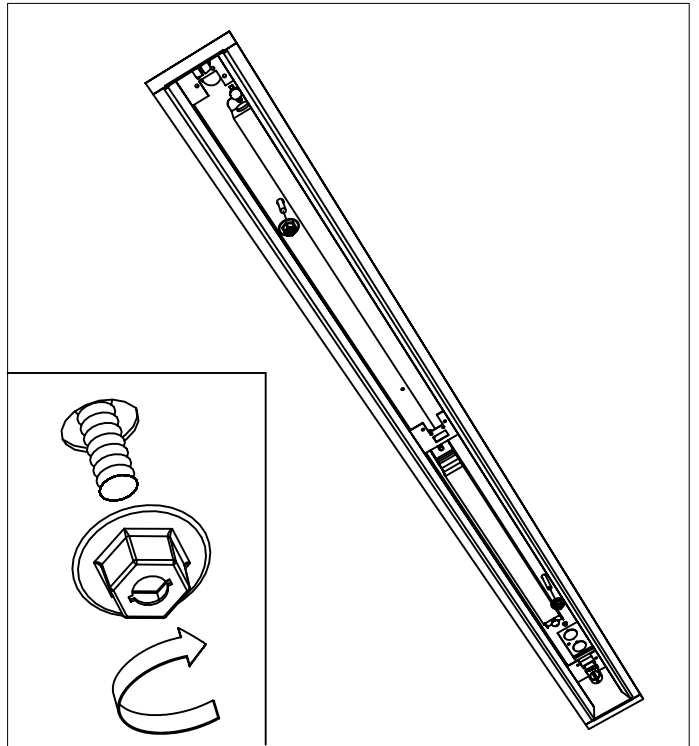
4. REMOVE LENS/LOUVER FROM HOUSING. LOOSEN (3) SCREWS ON EACH REFLECTOR (EACH END AND ONE IN THE MIDDLE) AND REMOVE REFLECTORS FROM HOUSING.



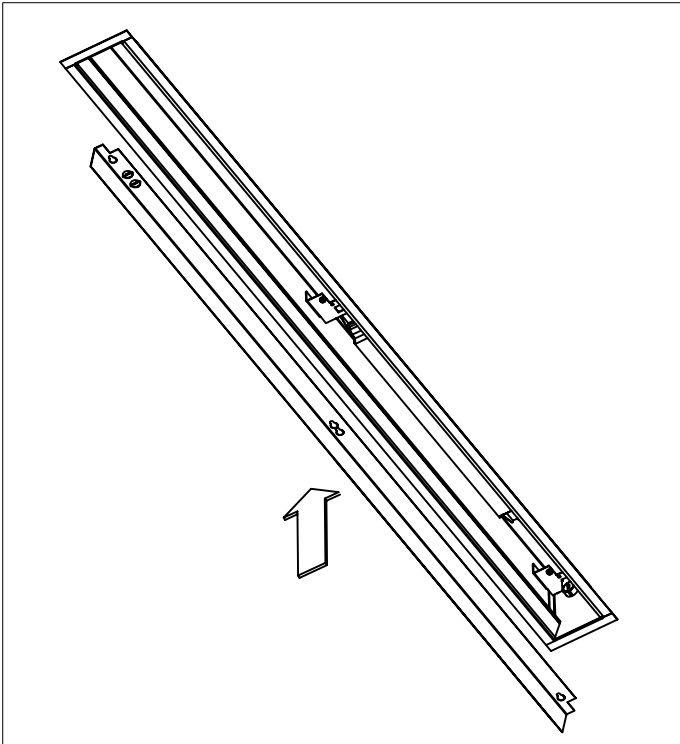
5. MAKE ELECTRICAL CONNECTION TO CONDUIT AND SLIDE FIXTURE THROUGH CEILING OPENING. ALIGN CARRIAGE BOLTS ON YOKE WITH HOLES IN HOUSING.



6. FASTEN HOUSING TO YOKE WITH NUT SUPPLIED WITH THE YOKE.



7. FASTEN REFLECTORS REMOVED ON STEP 4.



8. INSTALL LAMP AND LENS/LOUVER TO COMPLETE INSTALLATION.

