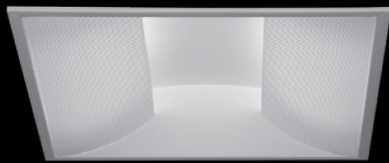
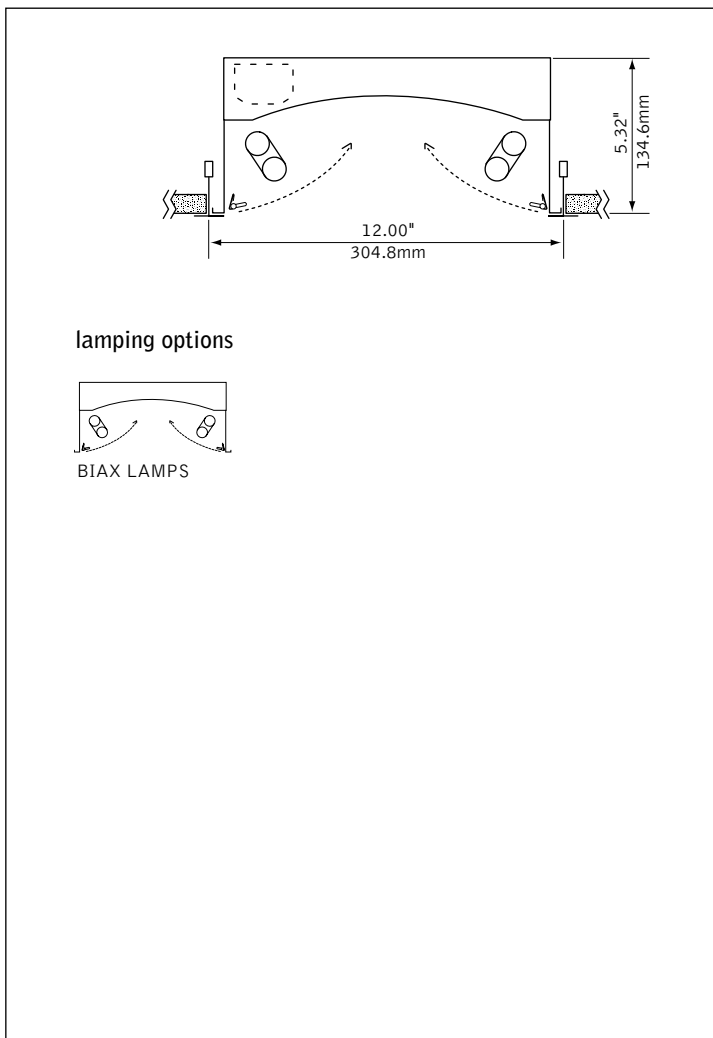


Skylite® 1x1

FLUORESCENT



DIMENSIONAL DATA



FEATURES

- 1'x1' recessed indirect offers a distinct aesthetic in a compact form that highlights interior architecture.
- High reflectance, low gloss Matte White finish controls glare.
- Luminaire may be mounted in acoustical grid or drywall ceiling.
- Perforated lamp shields swing down for easy relamping.
- Skylite® provides high angle uniform distribution ideal for corridors, entries and small offices.

PERFORMANCE

PRODUCT OVERVIEW

Lumen Output:	1202lm
Wattage:	48W
Lamping:	Biax

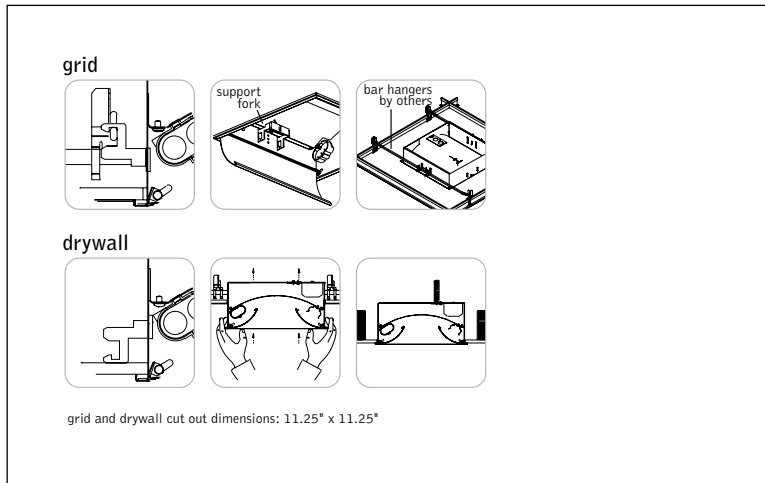
2-Lamp 18W Biax
48% Efficient
435 cd @ 0°

Visit focalpointlights.com for complete photometric data.

fixture:

project:

MOUNTING INFORMATION



SPECIFICATIONS

Construction

One-piece 20 Ga. steel reflector and housing. 22 Ga. perforated shields with white acrylic lens insert. Shields are secured by spring latches that allow for easy relamping. Unit weight: 6 lbs.

Optic

One-piece 20 Ga. steel reflector finished in Matte Satin White powder coat.

Electrical

Electronic ballasts are thermally protected and have a Class "P" rating. Optional dimming ballasts available. Consult factory for dimming specifications and availability.

Labels

UL and cUL listed.

Finish

Polyester powder coat applied over a 5-stage pre-treatment.

ORDERING

Luminaire Series	Skylite	FBX	FBX
Nominal Size	1' x 1'	11	11
Distribution	Bi-Directional	B	B
Lamp Quantity	Two Lamps	2	2
Lamp Type	18 Watt Biax	BX18	BX18
Ballast	Electronic Program Start <10% THD	S	S
Voltage	120 Volt	120	
	277 Volt	277	
	UNV Volt	UNV	
<small>(Cannot be specified with EM option)</small>			
Mounting	Universal Grid	U	
	Drywall Flange	F	
	<small>(1" max drywall thickness)</small>		
Shielding	Perforated Shield	PS	PS
Factory Options	Chicago Plenum	CP	
	Emergency Battery Pack*	EM	
	HLR/GLR Fuse	FU	
	Include 3000K Lamp*	L830	
	Include 3500K Lamp*	L835	
	Include 4100K Lamp*	L841	
	Separate Circuit*	SC	
Finish	Matte White	WH	WH

Skylite® 1x1

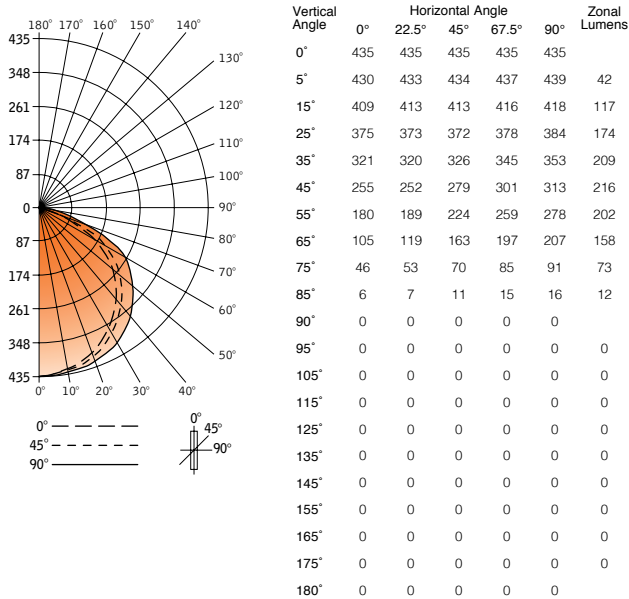
FLUORESCENT

FBX-11-B-2BX18-E-120-U-PS-WH

Filename: FBX112BX18PS.IES
 Test #: 9884.0

Lumens: 1202lm
 Efficiency: 48%

CANDLEPOWER DISTRIBUTION



LUMEN SUMMARY

Zone	Lumens	% Lamp	% Fixture
0-30°	333	13.3	27.7
0-40°	541	21.6	45.0
0-60°	959	38.4	79.8
0-90°	1202	48.1	100
Total Luminaire 0-180°	1202	48	100.0

LUMINANCE DATA (cd/m²)

Vertical Angle	0°	45°	90°
45°	4584	5016	5627
55°	3989	4964	6161
65°	3158	4903	6226
75°	2259	3438	4469
85°	875	1604	2334

CO-EFFICIENTS OF UTILIZATION

Floor Ceiling Wall	80				70			20 50		30		10		00
	70	50	30	10	70	50	10	50	10	50	10	50	10	00
RCR 0	57	57	57	57	56	56	56	53	53	51	51	49	49	48
1	53	51	49	47	52	50	46	48	45	46	44	44	42	41
2	48	45	42	39	47	44	39	42	38	41	37	39	36	35
3	44	40	36	33	43	39	33	38	32	36	32	35	31	30
4	41	35	31	28	40	35	28	33	28	32	27	31	27	26
5	37	31	27	24	36	31	24	30	23	29	23	28	23	22
6	34	28	24	21	33	27	20	26	20	26	20	25	20	19
7	31	25	21	18	31	25	18	24	18	23	17	22	17	16
8	29	22	18	15	28	22	15	21	15	21	15	20	15	14
9	27	20	16	13	26	20	13	19	13	19	13	18	13	12
10	25	18	14	12	24	18	12	17	12	17	12	17	12	11

Numbers indicate percentage values of reflectivity.

Go to www.focalpointlights.com for additional photometric data.