

# FBX 11 - SKYLITE 1x1

## SAFETY AND INSTALLATION INSTRUCTIONS

FIXTURES MUST BE INSTALLED BY A QUALIFIED ELECTRICIAN (CHECK WITH LOCAL AND NATIONAL CODES FOR PROPER INSTALLATION). TO PREVENT ELECTRICAL SHOCK, DISCONNECT ELECTRICAL SUPPLY BEFORE INSTALLATION OR SERVICING.

### FBX 11 GRID MOUNT

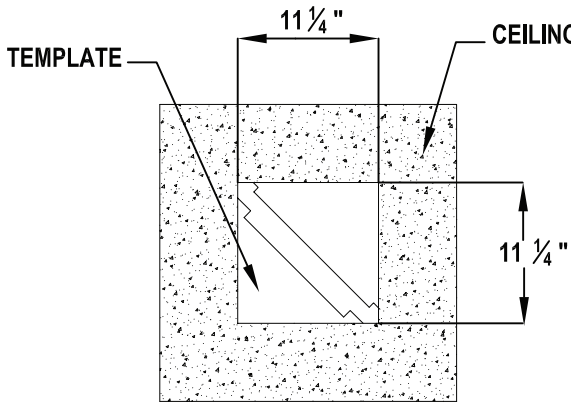


FIGURE 1

1. CUT OUT OUTSIDE SQUARE OF CARDBOARD TEMPLATE LOCATED ON LUMINAIRE BOX. USE TEMPLATE FOR CUTTING LUMINAIRE OPENING (11 1/4" X 11 1/4") IN DESIRED LOCATION IN CEILING TILE. (FIGURE 1)

2. AFTER CUTTING SQUARE OPENING, CUT INSIDE PATTERN OUT OF SQUARE TEMPLATE. (FIGURE 2)

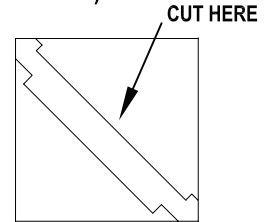


FIGURE 2

3. USE INSIDE TEMPLATE FROM STEP 2 TO LOCATE (2) B-LINE BA12 OR EQUIVALENT "ELECTRICAL BOX TEE-BAR FASTENERS" (BY OTHERS) ON EACH SIDE OF LUMINAIRE OPENING AS SHOWN. (FIGURE 3A)

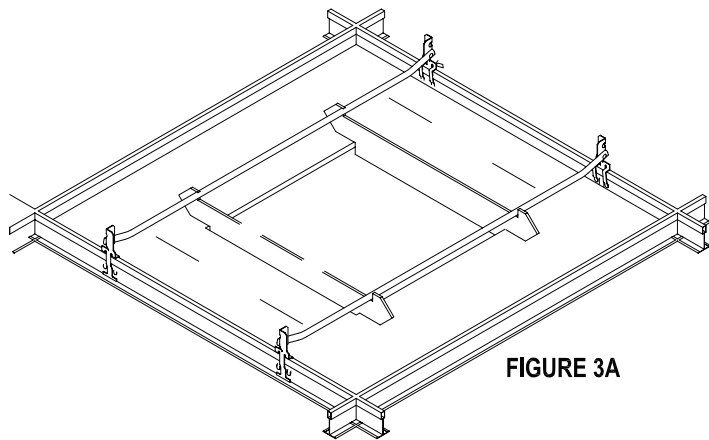


FIGURE 3A

NOTE: IT MIGHT BE NECESSARY TO INVERT THE HANGERS TO ACHIEVE THE PROPER LUMINAIRE HEIGHT. (FIGURE 3B)

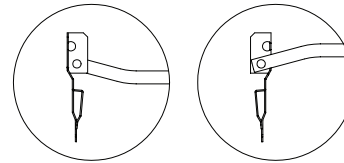


FIGURE 3B

4. LIFT LUMINAIRE (LAMPS REMOVED) INTO OPENING WITH LAMP SHIELDS PARALLEL TO HANGERS UNTIL FLUSH WITH CEILING TILE AS SHOWN. (FIGURE 4)

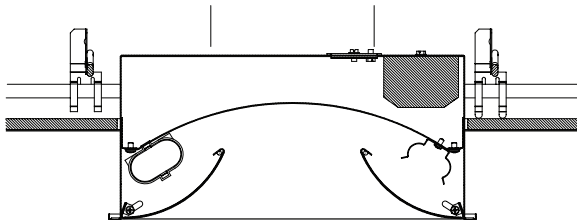


FIGURE 4

5. INSERT SUPPORT FORK THROUGH SLOTS IN HOUSING, ENGAGE FORK OVER HANGER, AND SECURE WITH SUPPLIED #8 SCREW. REPEAT PROCEDURE FOR OTHER SIDE (FIGURE 5A & 5B)

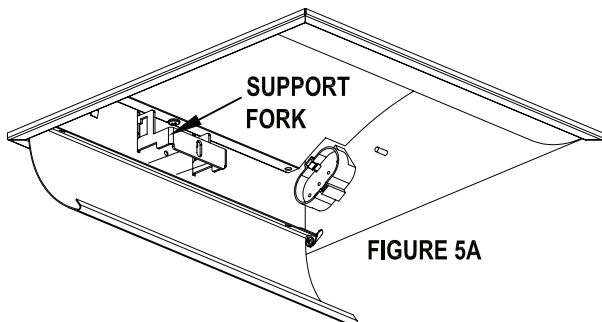


FIGURE 5A

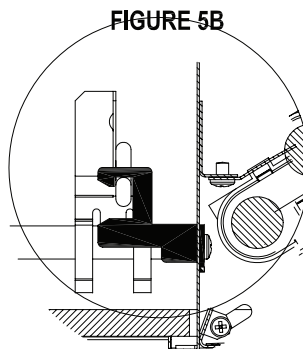


FIGURE 5B

6. CONNECT POWER TO LUMINAIRE VIA ACCESS PLATE LOCATED ON TOP OF HOUSING AND INSTALL LAMPS.



**EMERGENCY:**

SEE BATTERY MANUFACTURER INSTRUCTIONS

EMERGENCY MAXIMUM MOUNTING HEIGHT: 8.00'

CONTRACTOR IS RESPONSIBLE FOR ADEQUATELY REINFORCING WALLS AND/OR CEILINGS TO SUPPORT FIXTURE WEIGHT. FOCAL POINT, L.L.C. ACCEPTS NO RESPONSIBILITY FOR INADEQUATELY REINFORCED WALLS AND/OR CEILINGS.

THE INFORMATION CONTAINED IN THIS DRAWING IS THE SOLE PROPERTY OF FOCAL POINT LLC. ANY REPRODUCTION IN PART OR WHOLE WITHOUT THE WRITTEN PERMISSION OF FOCAL POINT LLC IS PROHIBITED.

2016 © FOCAL POINT LLC



INSTALLATION GUIDE NO.

ISO173

DWG. NO.

REV. C

IS0173 REV. B  
FBX 11 FLANGE MOUNT

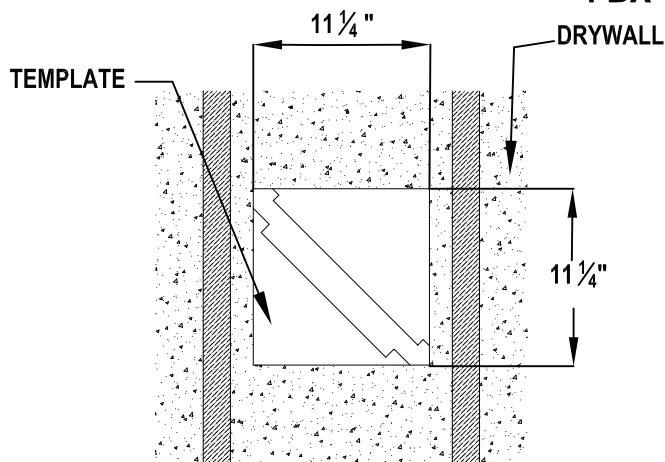


FIGURE 1

1. CUT OUT OUTSIDE SQUARE OF CARDBOARD TEMPLATE LOCATED ON LUMINAIRE BOX. USE TEMPLATE FOR CUTTING LUMINAIRE OPENING IN DESIRED LOCATION BETWEEN STUDS IN DRYWALL. (FIGURE 1)

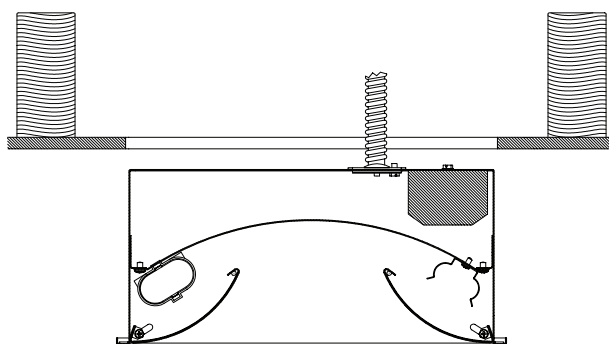


FIGURE 2

2. CONNECT POWER TO LUMINAIRE VIA ACCESS PLATE LOCATED ON TOP OF HOUSING. (FIGURE 2)

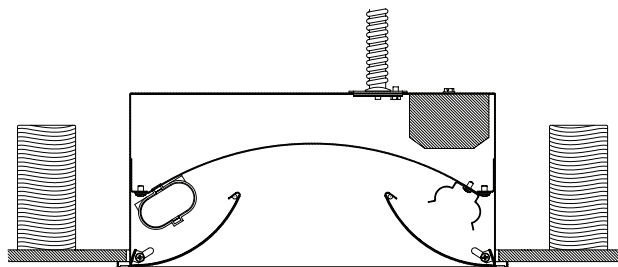


FIGURE 3

3. LIFT LUMINAIRE (LAMPS REMOVED) INTO OPENING UNTIL FLUSH WITH DRYWALL CEILING AS SHOWN. (FIGURE 3)

4. INSERT SUPPORT FORK THROUGH SLOTS IN HOUSING, PRESS FORK DOWN UNTIL CONTACT IS MADE WITH DRYWALL CEILING, AND SECURE WITH SUPPLIED #8 SCREW. REPEAT PROCEDURE FOR OTHER SIDE. (FIGURE 4A & 4B)

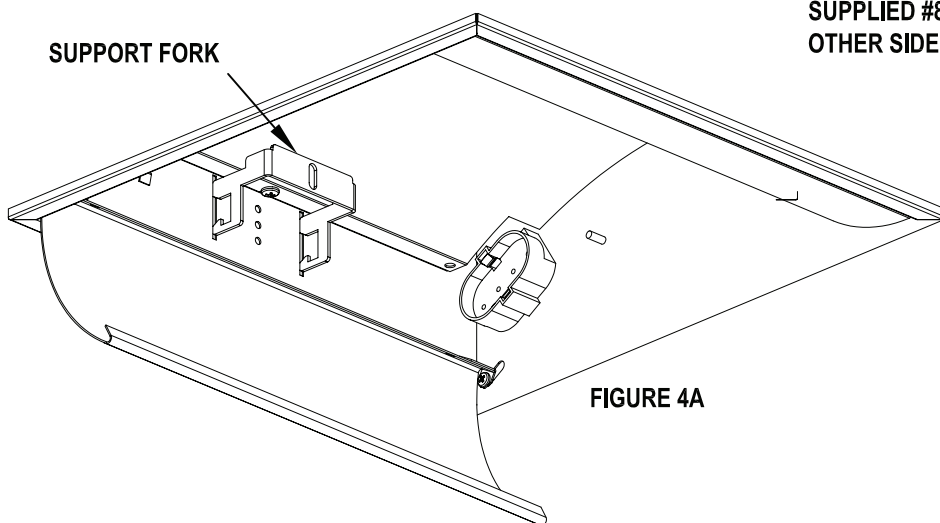


FIGURE 4A

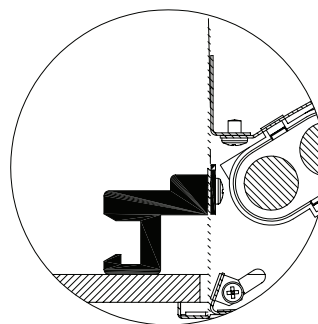


FIGURE 4B