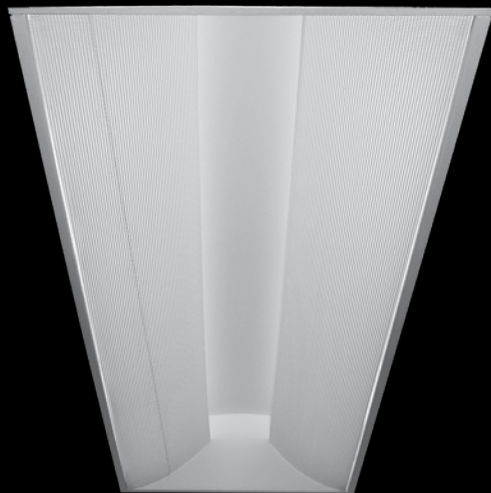
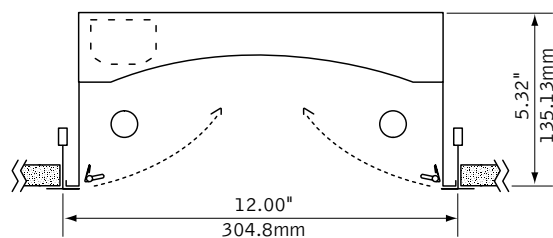


# Skylite® 1x4

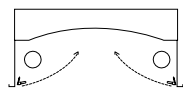
FLUORESCENT



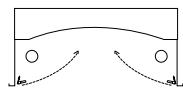
## DIMENSIONAL DATA



### lamping options



T8 LAMPS



T5/T5HO LAMPS

## FEATURES

1'x4' recessed indirect with perforated side baskets.

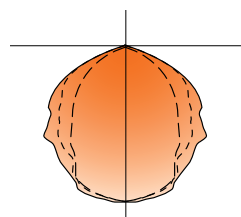
High reflectance, low gloss Matte White finish controls glare.

Perforated lamp shields swing down for easy relamping.

All luminaire combinations may be continuously row mounted.

Skylite® provides high angle uniform distribution ideal for general illumination.

## PERFORMANCE



2-Lamp T5  
56% Efficient  
1048 cd @ 0°

### PRODUCT OVERVIEW

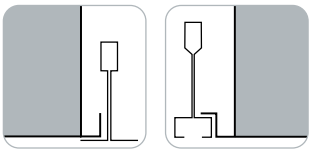
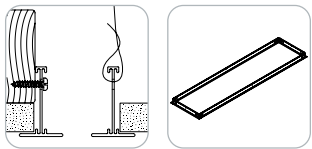
Lumen Output: 3382-5965lm  
Wattage: 33-120W  
Lamping: T5, T5HO, T8

Visit [focalpointlights.com](http://focalpointlights.com) for complete photometric data.

fixture:

project:

**MOUNTING INFORMATION**

<p><b>grid</b></p> <p>specify "G" for flat 9/16" and 15/16" tee or "ST" for 9/16" slot tee grid types.</p>  <p>"G" flat tee Luminaires cannot be installed in T-bar ceiling systems over 1.5" high in T8 lamp configurations.</p>	<p><b>drywall frame kit</b></p> <p>specify "F" Drywall Frame Kit for drywall ceiling conditions.</p>  <p>Use tie-wire or screws to secure frame kit.</p> <p>cut out dimensions: 1': Min: 12.25" Max: 12.563" 4': Min: 48.25" Max: 48.563"</p>
--	--

**SPECIFICATIONS**

**Construction**

One-piece 20 Ga. steel reflector and housing. 22 Ga. perforated shields with white acrylic lens insert. Shields are secured by spring latches that allow for easy relamping. Unit weight: 18 lbs.

**Optic**

One-piece 20 Ga. steel reflector finished in Matte Satin White powder coat.

**Electrical**

Electronic ballasts are thermally protected and have a Class "P" rating. Optional dimming ballasts available. Consult factory for dimming specifications and availability.

**Labels**

UL and cUL listed.

**Finish**

Polyester powder coat applied over a 5-stage pre-treatment.

**ORDERING**

<b>Luminaire Series</b>	<b>FBX</b>
Skylite	FBX
<b>Nominal Size</b>	<b>14</b>
1' x 4'	14
<b>Distribution</b>	<b>B</b>
Bi-Directional	B
<b>Lamp Quantity</b>	<b>2</b>
Two Lamp	2
<b>Lamp Type</b>	
T8	T8
T5	T5
T5HO	T5HO
<b>Ballast</b>	
Electronic Program Start <10% THD	S
0-10V	D7
Lutron 1% 3-wire	DH
Lutron 1% H-Series	DK
<b>Voltage</b>	
120 Volt	120
277 Volt	277
347 Volt	347
(Consult factory for dimming options)	
120/277 Volt	UNV
(Cannot be specified with EM option)	
<b>Mounting</b>	
Drywall Frame Kit	F
(Cut out dimensions: Min: 12.25"/Max: 12.563" Min: 48.25"/Max 48.563")	
Grid	G
Slot Tee	ST
Surface Mount	SM
<b>Shielding</b>	<b>PS</b>
Perforated Shield	PS
<b>Factory Options</b>	
Air Return	AR
Chicago Plenum	CP
Dust Cover	DC
Emergency Battery Pack*	EM
Positional Clip	EQ
HLR/GLR Fuse	FU
6' New York City Flex Whip	FNY
6' Flex Whip	FW
Include 3000K Lamp*	L830
Include 3500K Lamp*	L835
Include 4100K Lamp*	L841
Separate Circuit*	SC
(May cause loss of uniformity)	
<b>Finish</b>	<b>WH</b>
Matte White	WH

# Skylite® 1x4

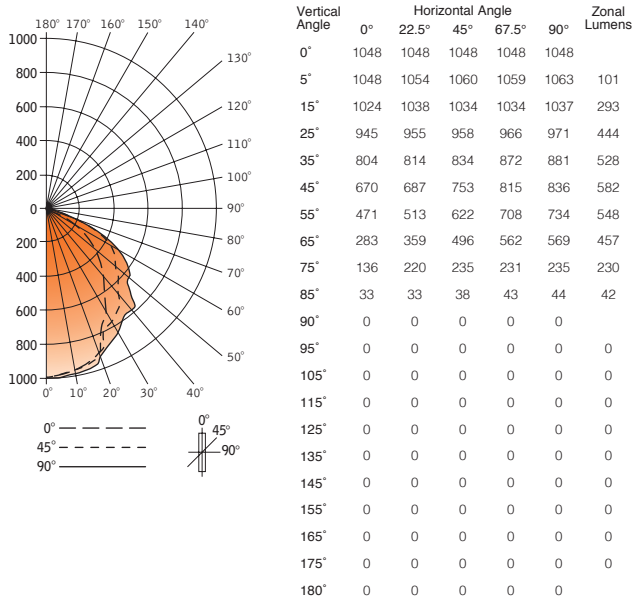
FLUORESCENT

## FBX-14-B-2-T5-S-120-G-PS-WH

Filename: FBX142T5PS.IES  
 Test #: 10149.0

Lumens: 3226lm  
 Efficiency: 56%

### CANDLEPOWER DISTRIBUTION



### LUMEN SUMMARY

Zone	Lumens	% Lamp	% Fixture
0-30°	838	14.4	26.0
0-40°	1366	23.6	42.3
0-60°	2497	43.1	77.4
0-90°	3226	55.6	100.0
<b>Total Luminaire 0-180°</b>	<b>3226</b>	<b>56</b>	<b>100.0</b>

### LUMINANCE DATA (cd/m²)

Vertical Angle	0°	45°	90°
45°	2819	3168	3517
55°	2443	3226	3807
65°	1992	3492	4006
75°	1563	2701	2701
85°	1126	1297	1502

### CO-EFFICIENTS OF UTILIZATION

Floor Ceiling Wall	80				70			20 50		30		10		00
	70	50	30	10	70	50	10	50	10	50	10	50	10	00
RCR 0	66	66	66	66	65	65	65	62	62	59	59	57	57	56
1	61	58	56	54	59	57	53	55	52	53	50	51	49	47
2	56	51	48	44	54	50	44	48	43	46	42	45	41	40
3	51	45	41	37	50	44	37	43	36	41	36	40	35	34
4	47	40	35	32	45	39	31	38	31	37	30	35	30	29
5	42	35	30	26	41	35	26	33	26	32	26	31	25	24
6	39	31	26	23	38	31	23	30	22	29	22	28	22	21
7	36	28	23	20	35	28	20	27	19	26	19	25	19	18
8	33	25	20	17	32	25	17	24	17	23	17	23	17	16
9	30	22	18	15	29	22	15	21	14	21	14	20	14	13
10	28	20	16	13	27	20	13	20	13	19	13	18	13	12

Numbers indicate percentage values of reflectivity.

Go to [www.focalpointlights.com](http://www.focalpointlights.com) for additional photometric data.