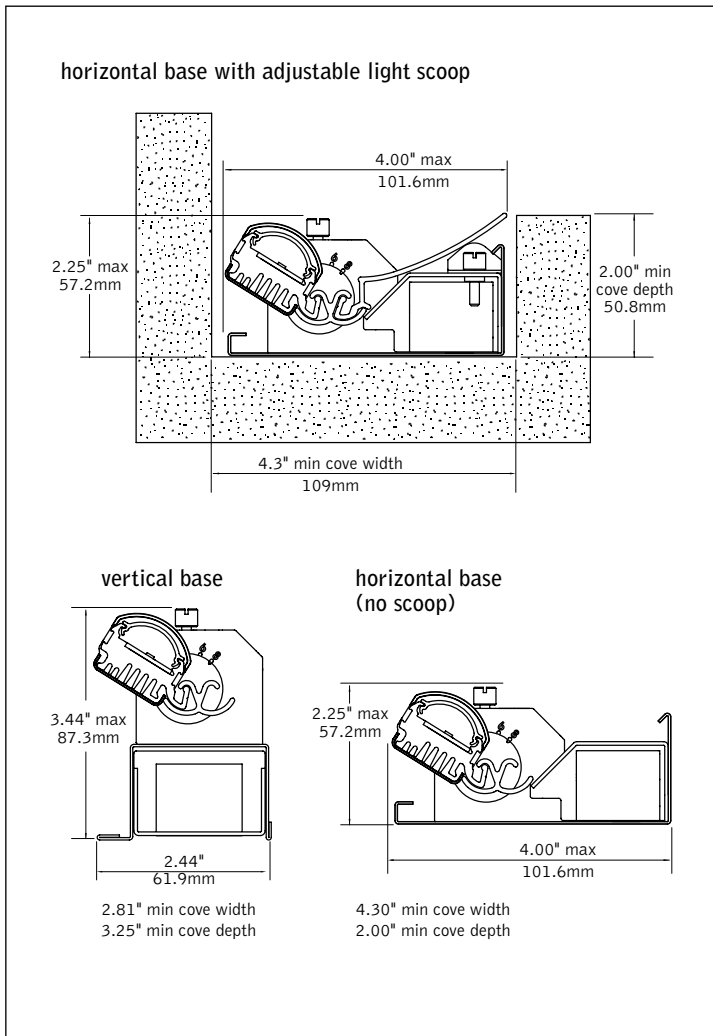


DIMENSIONAL DATA



FEATURES

Small profile indirect LED luminaire designed for concealed cove applications.

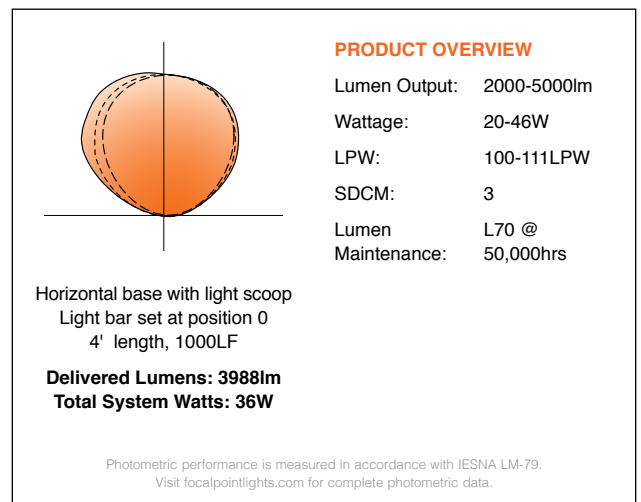
Adjustable Light Bar and Light Scoop aim to optimize distribution in any cove application.

Luminaires are provided with quick connect thru-wire harness for ease of installation in continuous runs.

Continuous runs may be specified in 1' increments.

Covert™ provides pleasing and shadow-free illumination that highlights architectural details.

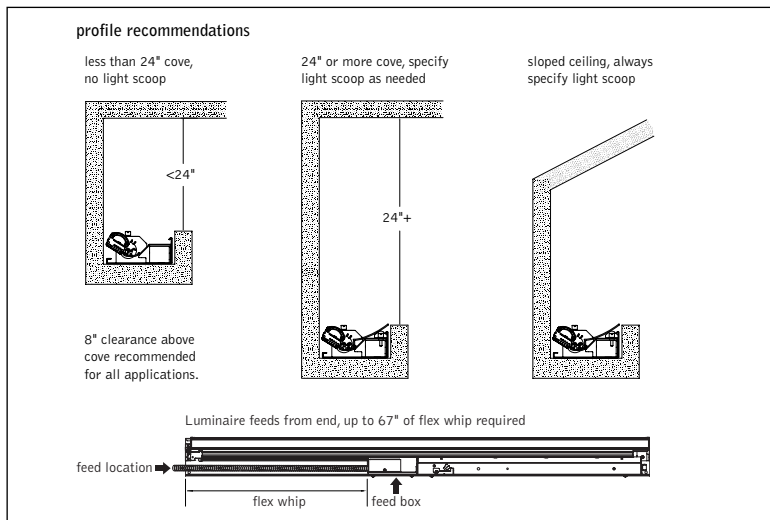
PERFORMANCE



fixture:

project:

DETAILS



SPECIFICATIONS

LED System

Proprietary linear LED module incorporates premium LEDs on a robust platform to achieve excellent thermal management. LEDs are placed to promote a uniform appearance. Available in 3000K, 3500K or 4000K with CRI>80, 3SDCM. 0-10V dimming driver standard. LED modules and drivers are replaceable.

Construction

.07" thick extruded aluminum LED module housing. 20 Ga. steel driver compartment and outer housing. Optional adjustable light scoop of .07" thick extruded aluminum. 4' unit weight: 9.5lbs

Optic

Continuous illumination enabled by linear LED modules shielded by extruded acrylic lens. Light Bar and Light Scoop adjust and lock to aim peak candela and/or shape overall distribution.

Electrical

Standard 120-277V driver includes 0-10V analog dimming. Dimming range 100% - 10%. Power factor > .9. Optional EcoSystem dimming drivers from Lutron available.

Labels

ETL listed in accordance with UL standards. Suitable for Dry or Damp Locations, indoor use only.

Lumen Maintenance

L70 at 50,000 hours.

Warranty

LED system rated for operation in ambient environments up to 25°C. 5 year limited warranty.

4' PERFORMANCE CHART

Profile	Lumens per Foot	Light Bar Adjustment Settings	Delivered Lumens	Total System Watts	Peak Candela
HS	500LF	0*	2000	20	675@165°
	750LF	0*	3000	28	1012@165°
	1000LF	0*	3988	36	1352@165°
	1250LF	0*	5000	46	1687@165°

*light scoop in fully open position.

ORDERING

Luminaire Series		FCOL	_____
Covert - Adjustable LED Cove Light	FCOL		
Profile			_____
Horizontal base	HN		
Horizontal base wth light scoop	HS		
Vertical base	VN		
LED System			_____
500 Lumens per foot	500LF		
750 Lumens per foot	750LF		
1000 Lumens per foot	1000LF		
1250 Lumens per foot	1250LF		
<small>(not available with L3D Driver)</small>			
Color Temperature			_____
3000K	30K		
3500K	35K		
4000K	40K		
Circuits			1C
Single Circuit	1C		
Voltage			_____
120 Volt	120		
277 Volt	277		
	UNV		
Driver			_____
0-10V - 10% Dimming	LD1		
Lutron A-Series	L3D		
1% EcoSystem Digital			
<small>(Not available with 1250 lumens per foot. Consult factory for 3-wire dimming)</small>			
Mounting			CV
Cove	CV		
Nominal Luminaire Length			_____
Specify in 1' increments	XX		

(Consult factory for limitations regarding 2' units, corners, patterns & curved cove applications. Multiple feeds may be required beyond 64'. Consult factory for specifics.)

Covert™

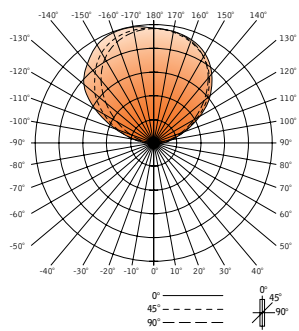
LED HORIZONTAL BASE WITH LIGHT SCOOP

FCOL-HS-1000LF-L30-1C-120-LD1-CV-4'

Filename: FCOLHS1000LF35K.IES
Test #: 18259.0

Lumens: 3998lm
System Watts: 36W
LPW: 111

CANDLEPOWER DISTRIBUTION



Vertical Angle	Horizontal Angle										Zonal Lumens
	0°	22.5°	45°	67.5°	90°	112.5°	135°	157.5°	180°		
0°	0	0	0	0	0	0	0	0	0	0	0
5°	0	0	0	0	0	0	0	0	0	0	0
15°	0	0	0	0	0	0	0	0	0	0	0
25°	2	1	0	0	0	0	0	0	0	0	0
35°	6	6	4	0	0	0	0	0	0	0	1
45°	10	9	6	0	0	0	0	0	0	0	2
55°	16	12	7	1	0	0	0	0	0	0	3
65°	18	13	9	1	0	0	0	0	0	0	4
75°	40	3	13	1	0	0	0	0	0	0	9
85°	72	68	48	16	0	0	0	0	0	0	23
90°	101	101	74	40	3	2	0	0	0	0	2
95°	148	145	120	82	38	97	102	32	123	97	97
105°	249	270	258	220	186	265	329	285	347	275	275
115°	438	468	450	423	405	484	554	548	624	477	477
125°	704	709	678	645	617	690	784	823	938	643	643
135°	921	914	879	846	836	904	963	1038	1128	717	717
145°	1091	1072	1048	1042	1046	1091	1129	1179	1244	689	689
155°	1209	1199	1186	1168	1184	1207	1243	1271	1328	561	561
165°	1274	1275	1265	1252	1268	1289	1300	1312	1352	363	363
175°	1301	1301	1295	1295	1301	1314	1316	1309	1329	125	125
180°	1310	1310	1310	1310	1310	1310	1310	1310	1310	1310	1310

LUMEN SUMMARY

Zone	Lumens	% Fixture
0°-30°	0	0
0°-90°	41	1.0
90°-130°	1492	37.4
90°-180°	3946	99.0
Total Luminaire	3998	100.0

Go to www.focalpointlights.com for additional photometric data.