

Facetta 2x2

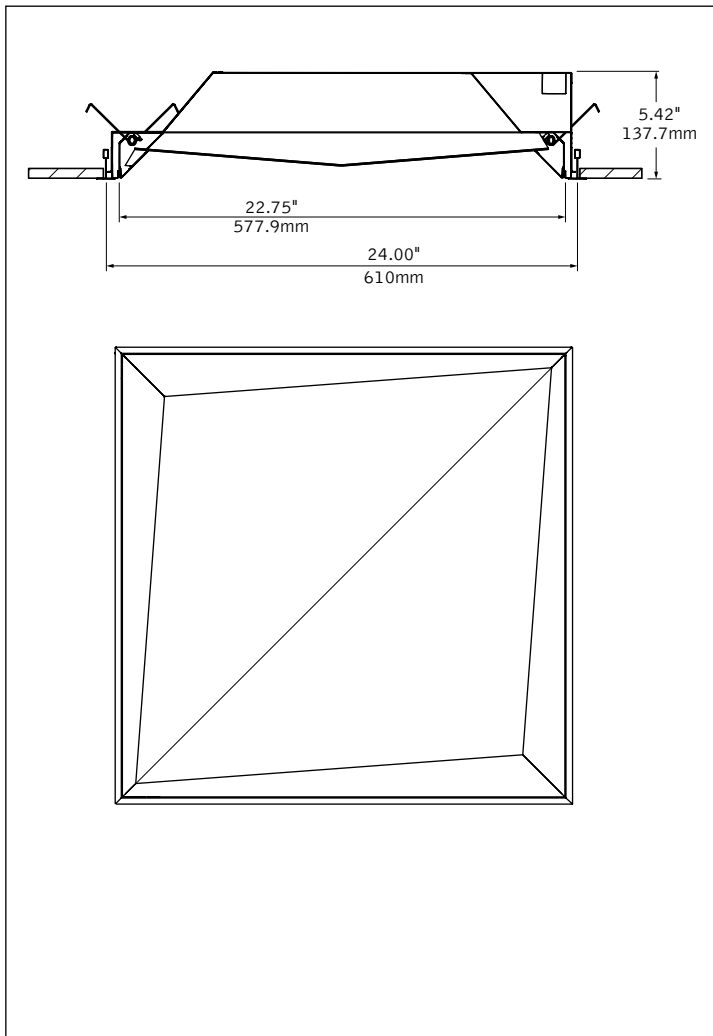
LED



FOCAL POINT®



DIMENSIONAL DATA



FEATURES

Architectural recessed LED luminaire with faceted lens.

Folded lens allows for use in clusters to create unique architectural patterns.

A one-piece, hinged assembly is easily removed for ease of maintenance.


Standard Right Light levels from 1,000 to 4,000 lumens.

Dimming options include DALI, 0-10V and Lutron EcoSystem.

PERFORMANCE

PRODUCT OVERVIEW	
Lumen Output:	1000-4000lm
Wattage:	9-36W
LPW:	114-122
SDCM:	3
Reported Lumen L70 @ Maintenance:	42,000hrs

Delivered Lumens: 3000lm
Total System Watts: 26W

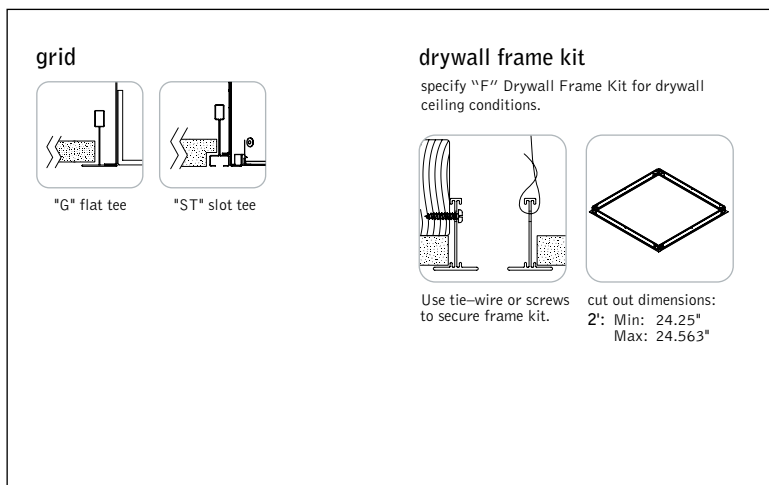


Photometric performance is measured in accordance with IESNA LM-79. Visit focalpointlights.com for complete photometric data. Visit designlights.org/QPL for model specifics.

fixture:

project:

DETAILS



SPECIFICATIONS

LED System

Proprietary linear LED module incorporates premium LEDs on a robust platform to achieve excellent thermal management. LEDs are placed to promote a uniform appearance. Available in 3000K, 3500K or 4000K with CRI>80. 0-10V dimming driver standard. LED modules and drivers are replaceable from below. Color accuracy <3 SDCM.

Construction

24 Ga. steel housing. Bottom access 24 Ga. steel driver compartment. Positional brackets supplied as standard. Weight: 14.9lbs.

Optic

20 Ga. steel reflectors finished in matte satin white powder coat. .060" thick frosted acrylic lens.

Electrical

Standard 120-277V driver includes 0-10V analog dimming, 100% - 10% range. Power factor > .9.

Emergency

Bodine BSL310-CAN. Emergency output—10 watts for 90 minutes. Maximum mounting height: 24.7ft. Top access only.

Labels

UL and cUL listed. Suitable for Dry or Damp Locations, indoor use only.

Finish

Polyester powder coat applied over a 5-stage pre-treatment.

Lumen Maintenance

Calculated: L70 at 115,000 hours Reported: L70 at 42,000 hours.
(Derived from EPA TM-21 calculator per 7,000 hours of LED test data)

Lifetime and warranty

LED system rated for operation in ambient environments up to 25°C. 5-year limited warranty.

PERFORMANCE CHART

Delivered Lumens	Tested System Watts	LPW
1000	9	114
2000	17	122
2500	21	122
3000	26	121
3500	31	119
4000	36	117

*Lumen output may vary +/- 5%. Actual wattage may vary +/- 5%

ORDERING

Luminaire Series	Facetta	FCT
Nominal Size	2' x 2'	22
Shielding	Frosted Lens	FL
Lumen Output	1000 Lumens 2000 Lumens 2500 Lumens 3000 Lumens 3500 Lumens 4000 Lumens	1000L 2000L 2500L 3000L 3500L 4000L
Color Temperature	2700K 3000K 3500K 4000K	27K 30K 35K 40K
Circuits	Single Circuit	1C
Voltage	UNV 120/277 Volt 347 Volt	UNV 347
<small>(Transformer required for all drivers except LD1. Transformer access above ceiling only. LD1 not available with 1000 Lumens. Not available with SD5.)</small>		
Driver	0-10V - 10% Dimming 0-10V - 1% Dimming Lutron A-Series - 1% EcoSystem Digital <small>(Consult factory for 3-wire control)</small> Lutron H-Series - 1% Dimming Lutron 5-Series - 5% EcoSystem Digital DALI - 1% Dimming Step Dimming	LD1 L11 L3D LH1 LU5 D11 SD5
<small>(120/277 only. 3000, 3500 & 4000 Lumens only.)</small>		
Mounting	Drywall Frame Kit Grid Slot Tee	F G ST
Factory Options	Chicago Plenum Emergency Battery*	CP EM
<small>(120/277V only. Above ceiling access only.)</small>		
	6' New York City Flex Whip (120V) 6' New York City Flex Whip (277V) 6' Flex Whip	FNY1 FNY2 FW
<small>(Sensor options available, consult factory)</small>		
Finish	Matte White Housing	WH

Facetta 2x2

LED

FCT-22-FL-3000L-27K-1C-UNV-LD1-WH

Filename: FCT22FL3000L35K.IES

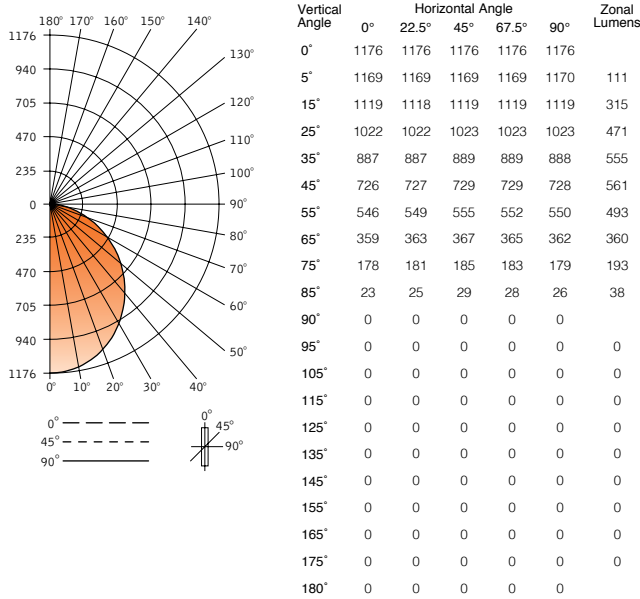
Test #: 1246257

Lumens: 3097lm

System Watts: 25.65W

LPW: 121

CANDLEPOWER DISTRIBUTION



LUMEN SUMMARY

Zone	Lumens	% Fixture
0-30°	426	13.8
0-40°	1452	46.9
0-60°	2506	80.9
0-90°	3097	100.0
Total Luminaire 0-180°	3097	100.0

LUMINANCE DATA (CD/M²)

Vertical Angle	0°	45°	90°
45°	3070	3084	3082
55°	2850	2893	2869
65°	2542	2595	2562
75°	2058	2133	2070
85°	782	995	891

CO-EFFICIENTS OF UTILIZATION

Floor Ceiling Wall	80				70			20 50		30		10		00
	70	50	30	10	70	50	10	50	10	50	10	50	10	00
RCR 0	119	119	119	119	116	116	116	111	111	106	106	102	102	100
1	109	105	100	97	106	102	95	98	92	94	89	91	87	85
2	100	91	85	79	97	90	78	86	76	83	75	80	73	71
3	91	81	73	66	88	79	66	76	64	73	63	71	62	60
4	83	71	63	56	81	70	56	68	55	65	54	63	54	51
5	77	64	55	49	75	63	48	61	48	59	47	57	47	45
6	71	58	49	42	69	57	42	55	42	53	42	52	41	39
7	66	52	44	38	64	52	37	50	37	49	37	47	37	35
8	61	48	39	34	60	47	33	46	33	45	33	43	33	31
9	57	44	36	30	56	43	30	42	30	41	30	40	30	28
10	54	41	33	27	52	40	27	39	27	38	27	37	27	25

Numbers indicate percentage values of reflectivity.

Go to www.focalpointlights.com for additional photometric data.