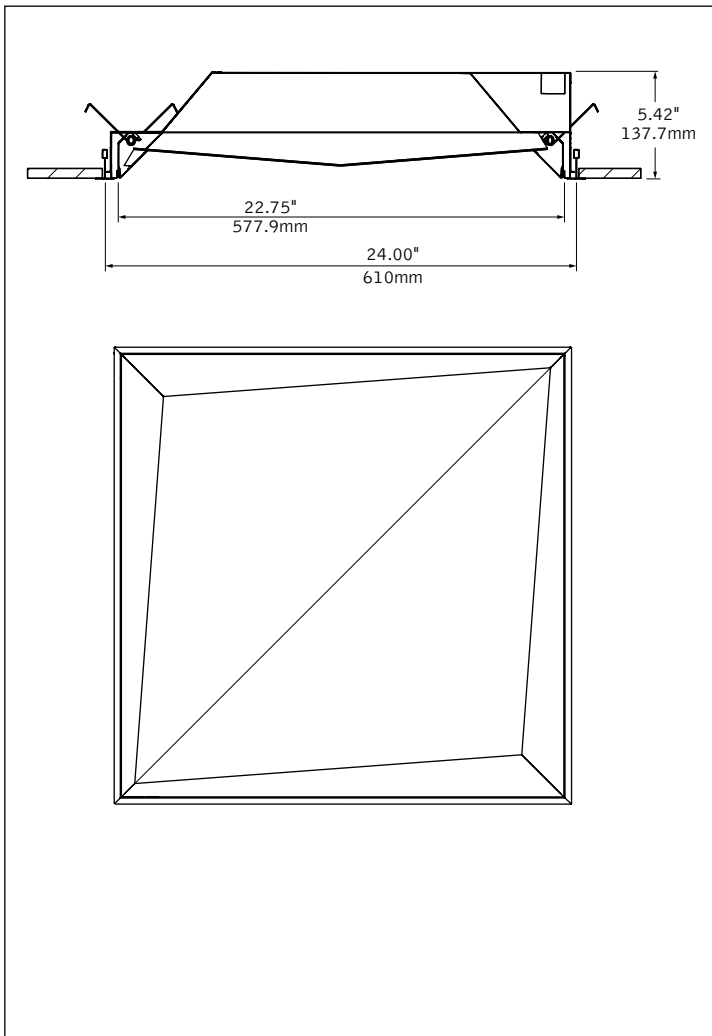


# Facetta 2x2

LED



## DIMENSIONAL DATA



## FEATURES

Architectural recessed LED luminaire with faceted lens.

Faceted lens allows for use in clusters to create unique architectural patterns.

A one-piece, hinged bezel assembly is easily removed for ease of maintenance.

Standard Right Light levels from 1,000 to 4,000 lumens.

Dimming options include DALI, 0-10V and Lutron EcoSystem.


Connected Solutions: Integrates with wired and wireless building lighting control systems.

Preferred Light: Lighting for better color rendition and human preference.

## PERFORMANCE

PRODUCT OVERVIEW	
Lumen Output:	1000-4000lm
Wattage:	9-36W
LPW:	114-122
SDCM:	3

**Delivered Lumens: 3000lm**  
**Total System Watts: 26W**

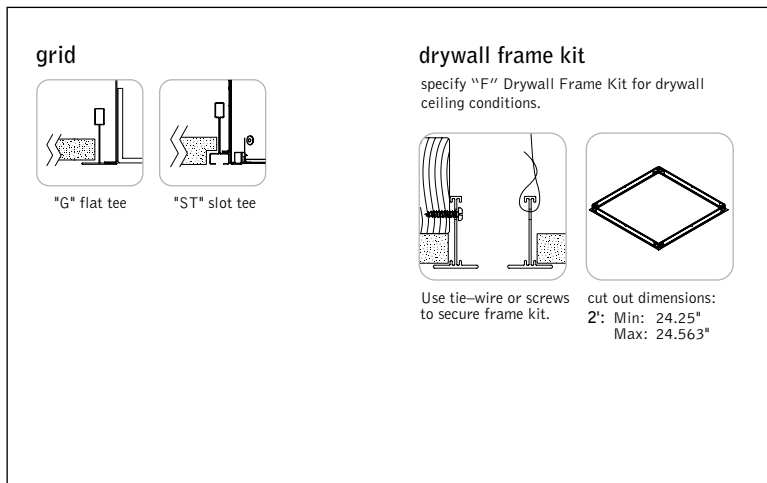


Photometric performance is measured in accordance with IESNA LM-79. Visit [focalpointlights.com](http://focalpointlights.com) for complete photometric data. Visit [designlights.org/QPL](http://designlights.org/QPL) for model specifics.

fixture:

project:

**DETAILS**



**SPECIFICATIONS**

**LED System**

Proprietary linear LED module incorporates premium LEDs on a robust platform to achieve excellent thermal management. LEDs are placed to promote a uniform appearance. Available in 3000K, 3500K or 4000K with CRI>80. 0-10V dimming driver standard. LED modules and drivers are replaceable from below. Color accuracy <3 SDCM.

**Construction**

24 Ga. steel housing. Bottom access 24 Ga. steel driver compartment. Positional brackets supplied as standard. Weight: 14.9lbs.

**Optic**

20 Ga. steel reflectors finished in matte satin white powder coat. .060" thick frosted acrylic lens.

**Electrical**

Standard 120-277V driver includes 0-10V analog dimming, 100% - 10% range. Power factor > .9.

**Emergency**

Bodine BSL310-CAN. Emergency output—10 watts for 90 minutes. Maximum mounting height: 24.7ft. Top access only.

**Labels**

UL and cUL listed. Suitable for Dry or Damp Locations, indoor use only.

**Finish**

Polyester powder coat applied over a multi-stage pre-treatment.

**Lumen Maintenance**

Reported: L70 at 42,000 hours      Calculated: L70 at 115,000 hours  
Derived from EPA TM-21 calculator. Based on typical conditions, consult factory for additional data.

**Reliability**

At Focal Point, our products are designed to stand the test of time. Each luminaire is engineered using superior components, manufactured with the utmost care and rigorously tested. Contact us for reliability data.

**Lifetime and warranty**

LED system rated for operation in ambient environments up to 25°C. 5-year limited warranty.

**PERFORMANCE CHART**

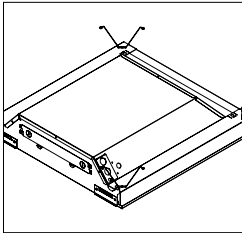
Delivered Lumens	Tested System Watts	LPW
1000	9	114
2000	17	122
2500	21	122
3000	26	121
3500	31	119
4000	36	117

Lumen output may vary +/- 5%. Actual wattage may vary +/- 5%. Preferred Light lumen multiplier = 0.65.

**ORDERING**

<b>Luminaire Series</b>	Facetta	FCT	<b>FCT</b>
<b>Nominal Size</b>	2' x 2'	22	<b>22</b>
<b>Shielding</b>	Frosted Lens	FL	<b>FL</b>
<b>Lumen Output</b>	1000 Lumens	1000L	
	2000 Lumens	2000L	
	2500 Lumens	2500L	
	3000 Lumens	3000L	
	3500 Lumens	3500L	
	4000 Lumens	4000L	
<b>Color Temperature</b>	2700K	27K	
	3000K	30K	
	3500K	35K	
	4000K	40K	
	3500K Preferred Light	P35K	
<b>Circuits</b>	Single Circuit	1C	<b>1C</b>
<b>Voltage</b>	UNV 120/277 Volt	UNV	
	347 Volt	347	
	<small>(Transformer required for all drivers except LD1. Transformer access above ceiling only. LD1 not available with 1000 Lumens. Not available with SD5.)</small>		
<b>Control System &amp; Dimming Level</b>	0-10V - 10% Dimming	LD1	
	0-10V - 1% Dimming	L11	
	Lutron Hi-Lume EcoSystem (LDE1) - 1% Dimming	LH1	
	Lutron 5-Series EcoSystem (LDE5) - 5% Dimming	LU5	
	<small>(Not available with 1000 Lumens)</small>		
	DALI - 1% Dimming	D11	
	Step Dimming	SD5	
	<small>(120/277 only. 3000, 3500 &amp; 4000 Lumens only.)</small>		
	Acuity nLight - 1% Dimming	NLT1	
	<small>(Not available with CP.)</small>		
	Enlighted Smart Sensor - 1% Dimming	ENL1	
	<small>(Remote mounted sensor)</small>		
	Osram Connected Lighting Module	CLM1	
	<small>(Compatible with Daintree Networks &amp; Osram ENCELUM and Simplux systems)</small>		
	Wattstopper DLM - 1% Dimming	DLM1	
<b>Mounting</b>	Drywall Frame Kit	F	
	<small>(Not available with CLM1, DLM1, ENL1 or NLT1)</small>		
	Grid	G	
	Slot Tee	ST	
<b>Factory Options</b>	Chicago Plenum	CP	
	Emergency Battery	EM	
	<small>(120/277V only. Above ceiling access only.)</small>		
	6' New York City Flex Whip (120V)	FNY1	
	6' New York City Flex Whip (277V)	FNY2	
	6' Flex Whip	FW	
<b>Finish</b>	Matte White Housing	WH	<b>WH</b>

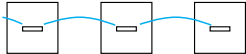
Focal Point provides flexibility in meeting the needs of each project by integrating with several building lighting control systems. A variety of sensors, drivers and other components can be specified that allow the luminaires to communicate with wired and wireless networks. All zoning can be digitally reconfigured through the application software. Daylight harvesting, occupancy sensing, integration with HVAC systems, and individual controls enable the monitoring and modulating of light levels and temperature in order to save energy, reduce costs and maximize occupants' comfort.



nLight® provides a two-way wired digital lighting system allowing for on/off and dimming functionality, occupancy sensing, and multi-zone daylight harvesting.

Acuity nLight - 1% Dimming (NLT1)  
Acuity Model #nEPS-60-IO

CAT-5 Cable provided by others. Serial labels will be provided on outside of luminaires and control unit.



Enlighted smart sensor allows for occupancy sensing, daylight harvesting, energy usage, temperature and light level control. Communicates wirelessly with the Enlighted network.

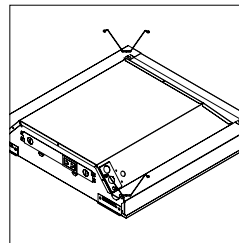
Enlighted Smart Sensor - 1% Dimming (ENL1)  
Enlighted Model #SU-4E-01



Connected Lighting Module (CLM) enables each luminaire to be independently controlled and configured. Communicates wirelessly with Daintree Networks®, Osram ENCELIUM®, Osram Simplux™ and other networks using the ZigBee® HA communication protocol to allow for on/off and dimming functionality, occupancy sensing and multi-zone daylight harvesting.

Osram CLM - 1% Dimming (CLM1)  
Osram Model #ZBHA-CLM DIM

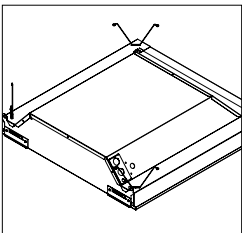
Serial labels will be provided on outside of luminaires and control unit.



A Digital Lighting Management (DLM) system that provides two-way wired communication between networked luminaires and control system to allow for on/off and dimming functionality, occupancy sensing and multi-zone daylight harvesting.

Wattstopper DLM - 1% Dimming (DLM1)  
Wattstopper Model #LMFC-011

CAT-5 Cable provided by others. Serial labels will be provided on outside of luminaires and control unit.



A two-way digital network that enables on/off and dimming functionality, occupancy sensing, and multi-zone daylight harvesting working with Quantum®, Energi Savr Node™, and Energi TriPak® using EcoSystem® communication protocol.

Lutron Hi-Lume EcoSystem - 1% Dimming (LH1)  
Lutron Model #LDE1  
Lutron 5-Series EcoSystem - 5% Dimming (LU5)  
Lutron Model #LDE5

## CONNECTED SOLUTIONS DETAILS

Connected Solution	Model #	Protocol	Compatible Networks*	Occupancy	Daylight	Temperature Reporting	Communication to Luminaire	Drivers
Acuity nLight (NLT1)	nEPS-60-IO**	nLight	nLight	Enabled	Enabled	No	Wired	<b>eldoLED ECOdrive</b> , eldoLED SOLOdrive
Enlighted Smart Sensor (ENL1)	SU-4E-01**	Enlighted RF	Enlighted	Integrated	Integrated	Yes	Wireless	<b>Osram Optotronic</b> , Philips SimpleSet
Legrand Wattstopper DLM (DLM1)	LMFC-011**	DLM	DLM	Enabled	Enabled	No	Wired	<b>Osram Optotronic</b> , Philips SimpleSet
Lutron EcoSystem (LH1 & LU5)	LDE1,** LDE5**	EcoSystem	Quantum, Energi Savr Node, Energi TriPak	Enabled	Enabled	No	Wired	<b>Lutron Hi-Lume</b> <b>Lutron 5-Series</b>
Osram CLM (CLM1)	ZBHA-CLM**	ZigBee HA	Osram ENCELIUM & Simplux, Daintree Networks	Enabled	Enabled	No	Wireless	<b>Osram Optotronic</b>

\*Not all compatible networks may be listed. \*\*For performance data and additional control system details please visit the connected solutions manufacturer websites. Primary drivers are listed in bold. To specify a particular driver please consult factory.

# Facetta 2x2

LED

FCT-22-FL-3000L-27K-1C-UNV-LD1-WH

Filename: FCT22FL3000L35K.IES

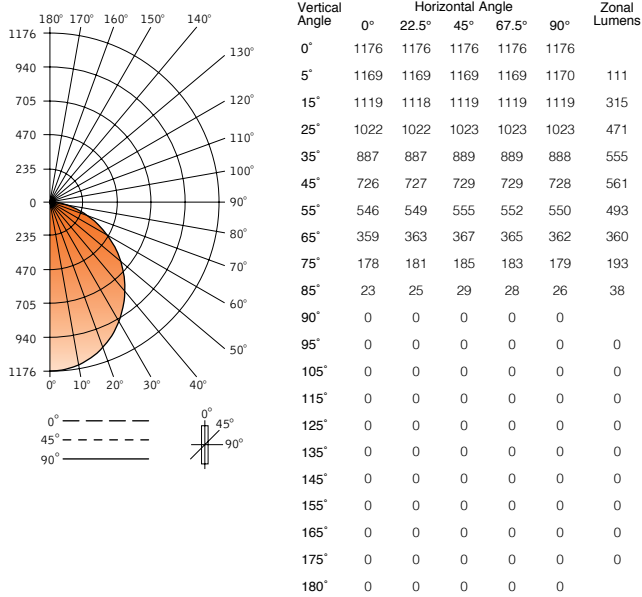
Test #: 1246257

Lumens: 3097lm

System Watts: 25.65W

LPW: 121

## CANDLEPOWER DISTRIBUTION



## LUMEN SUMMARY

Zone	Lumens	% Fixture
0-30°	426	13.8
0-40°	1452	46.9
0-60°	2506	80.9
0-90°	3097	100.0
<b>Total Luminaire 0-180°</b>	<b>3097</b>	<b>100.0</b>

## LUMINANCE DATA (CD/M²)

Vertical Angle	0°	45°	90°
45°	3070	3084	3082
55°	2850	2893	2869
65°	2542	2595	2562
75°	2058	2133	2070
85°	782	995	891

## CO-EFFICIENTS OF UTILIZATION

Floor Ceiling Wall	80				70			20 50		30		10		00
	70	50	30	10	70	50	10	50	10	50	10	50	10	00
RCR 0	119	119	119	119	116	116	116	111	111	106	106	102	102	100
1	109	105	100	97	106	102	95	98	92	94	89	91	87	85
2	100	91	85	79	97	90	78	86	76	83	75	80	73	71
3	91	81	73	66	88	79	66	76	64	73	63	71	62	60
4	83	71	63	56	81	70	56	68	55	65	54	63	54	51
5	77	64	55	49	75	63	48	61	48	59	47	57	47	45
6	71	58	49	42	69	57	42	55	42	53	42	52	41	39
7	66	52	44	38	64	52	37	50	37	49	37	47	37	35
8	61	48	39	34	60	47	33	46	33	45	33	43	33	31
9	57	44	36	30	56	43	30	42	30	41	30	40	30	28
10	54	41	33	27	52	40	27	39	27	38	27	37	27	25

Numbers indicate percentage values of reflectivity.

Go to [www.focalpointlights.com](http://www.focalpointlights.com) for additional photometric data.