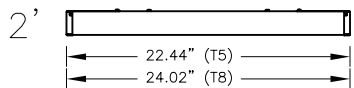


FCV26 COVE INSTALLATION INSTRUCTIONS

SAFETY AND INSTALLATION INSTRUCTIONS

FIXTURES MUST BE INSTALLED BY A QUALIFIED ELECTRICIAN (CHECK WITH LOCAL AND NATIONAL CODES FOR PROPER INSTALLATION). TO PREVENT ELECTRICAL SHOCK, DISCONNECT ELECTRICAL SUPPLY BEFORE INSTALLATION OR SERVICING.

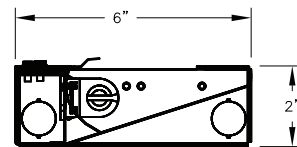


STANDARD NOMINAL FIXTURE LENGTHS
2', 3', 4', 5', 6', 7' AND 8' ARE AVAILABLE TO BE
INSTALLED INDIVIDUALLY OR IN CONTINUOUS ROW.

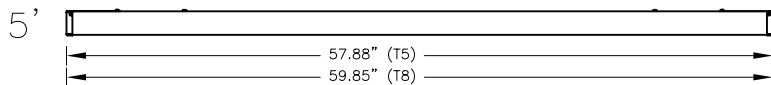
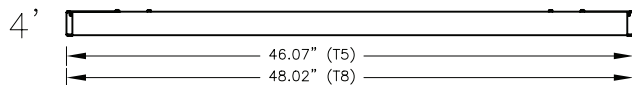
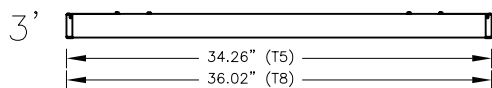
FIXTURE IS SHIPPED FULLY ASSEMBLED AS AN
INDIVIDUAL MODULE THAT CAN BE USED
INDEPENDENTLY OR IN COMBINATION WITH OTHER
MODULES IN ANY SEQUENCE TO FORM PATTERNS.

HOUSING LENGTHS OPTIMIZED FOR LAMP TYPE.

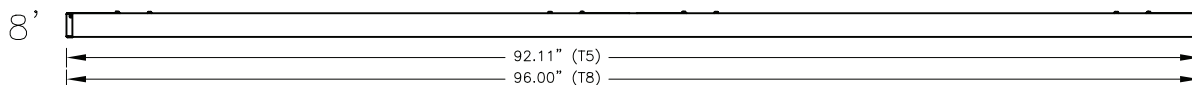
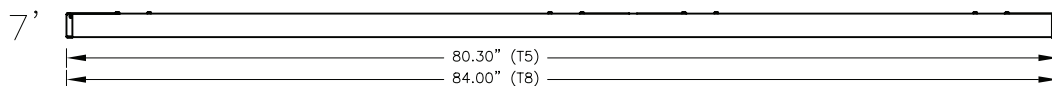
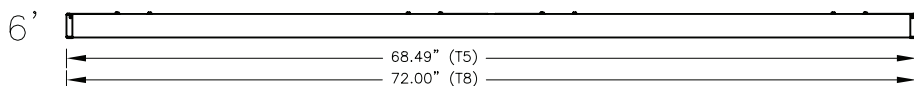
FIXTURES ARE PRE-WIRED WITH A 12 GAUGE 4
CONDUCTOR HARNESS THAT INCLUDES A SHARED
COMMON AND GROUND.



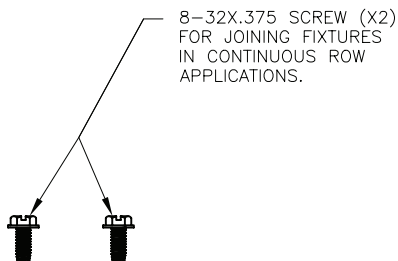
T8 PROFILE



5 PROFILE

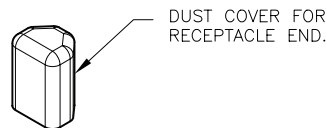


PARTS SUPPLIED BY FOCAL POINT



8-32X.375 SCREW (X2)
FOR JOINING FIXTURES
IN CONTINUOUS ROW
APPLICATIONS.

FIXTURES ARE SUPPLIED WITH A DUST CAP
FOR THE RECEPTACLE END OF THE WIRING
HARNESS, WHICH MUST BE REMOVED FOR
CONTINUOUS ROW APPLICATIONS.



DUST COVER FOR
RECEPTACLE END.



EMERGENCY:

SEE BATTERY
MANUFACTURER
INSTRUCTIONS

EMERGENCY MAXIMUM
MOUNTING HEIGHT: 8.00'

CONTRACTOR IS RESPONSIBLE FOR ADEQUATELY REINFORCING
WALLS AND/OR CEILINGS TO SUPPORT FIXTURE WEIGHT. FOCAL
POINT, L.L.C. ACCEPTS NO RESPONSIBILITY FOR INADEQUATELY
REINFORCED WALLS AND/OR CEILINGS.

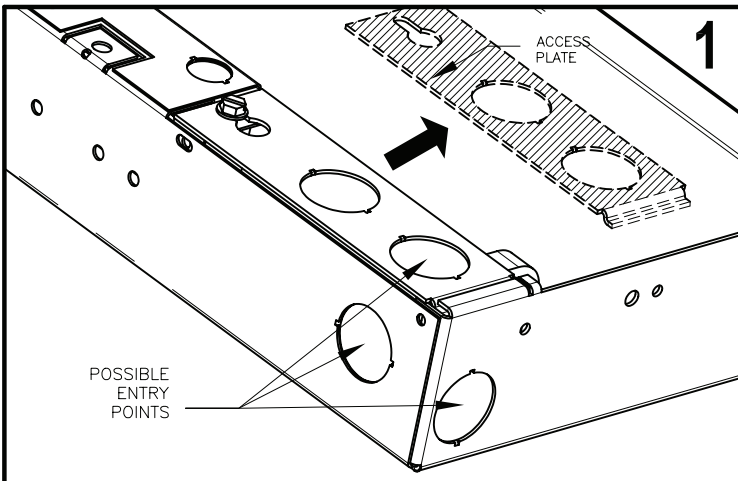
THE INFORMATION CONTAINED IN THIS DRAWING IS THE SOLE
PROPERTY OF FOCAL POINT LLC. ANY REPRODUCTION IN PART
OR WHOLE WITHOUT THE WRITTEN PERMISSION OF FOCAL
POINT LLC IS PROHIBITED.

2016 © FOCAL POINT LLC

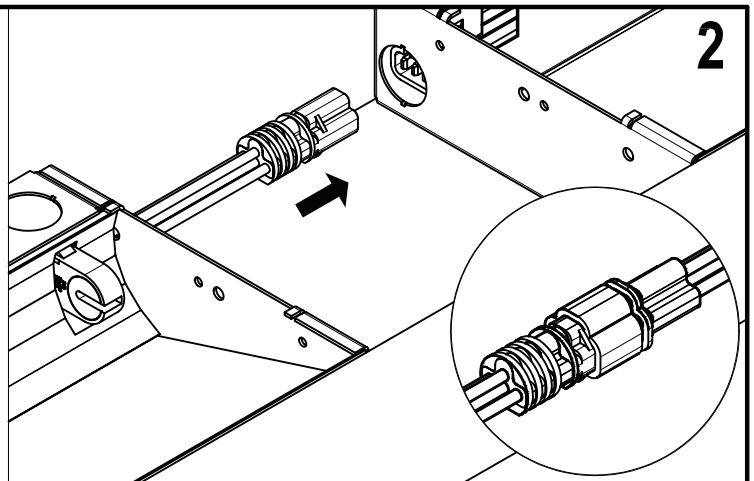


INSTALLATION GUIDE NO.

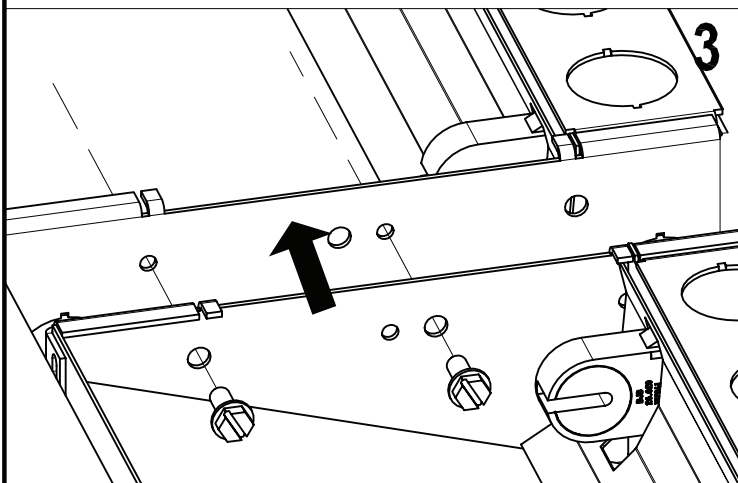
IS0195



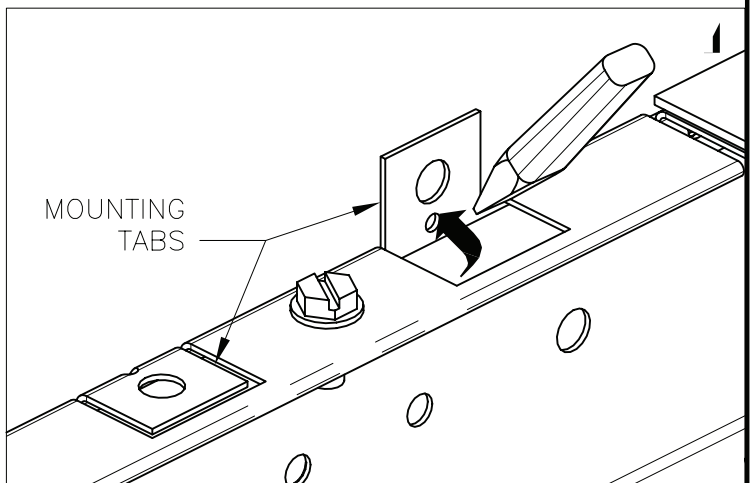
REMOVE ACCESS PLATE ON FIXTURE, SELECT FEED LOCATION AND MAKE ELECTRICAL CONNECTIONS IN J-BOX.



POSITION FIXTURES IN COVE, ALIGN ADJACENT FIXTURE AND REMOVE ACCESS PLATES TO ACCESS CONNECTORS. REMOVE K.O.'S AND PULL SMALLER CONNECTOR INTO ADJACENT FIXTURE. REMOVE DUST COVER AND CONNECT MOLDED PLUGS AND PUSH INTO WIRING COMPARTMENT. REPLACE ACCESS PLATES.

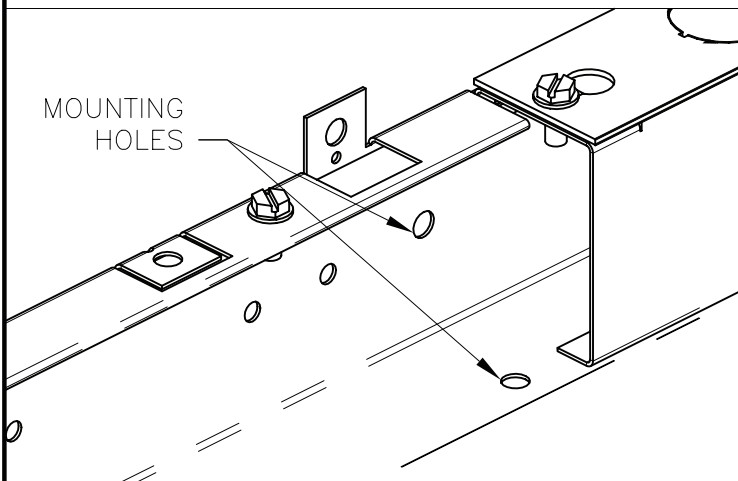


JOIN FIXTURES END TO END AND SECURE WITH 2 8-32 X .375 SCREWS.



TO SECURE FIXTURE TO WALL OF COVE:

MOUNTING TABS ARE PROVIDED TO SECURE TO WALL OF COVE WITHOUT REMOVING THE FIXTURE REFLECTOR. USING A FLAT BLADE SCREWDRIVER LIFT DESIRED TABS AND FASTEN TO WALL (WALL SCREWS NOT INCLUDED).



TO SECURE FIXTURE TO BOTTOM OF COVE:

TWO ALTERNATE MOUNTING HOLES ARE LOCATED INSIDE THE FIXTURE AT EACH END AND CAN BE ACCESSED BY REMOVING THE REFLECTOR, ONE FOR SECURING TO BOTTOM OF COVE AND ONE FOR SECURING TO WALL OF COVE.