

acrylic diffuser

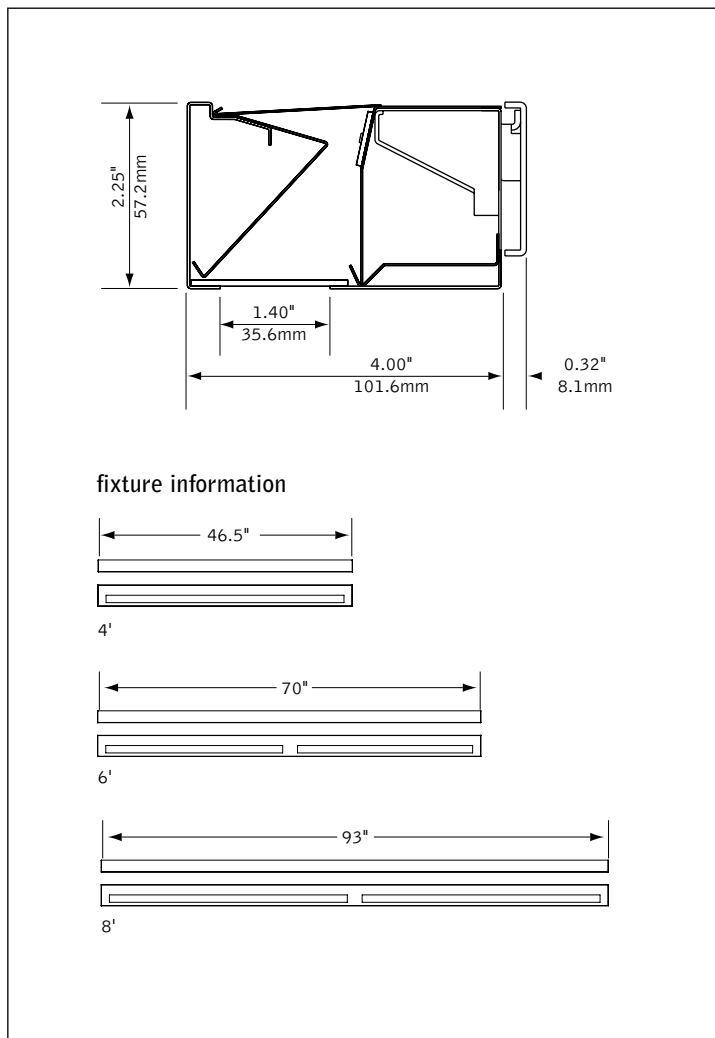


microglow lens



suspended companion

DIMENSIONAL DATA



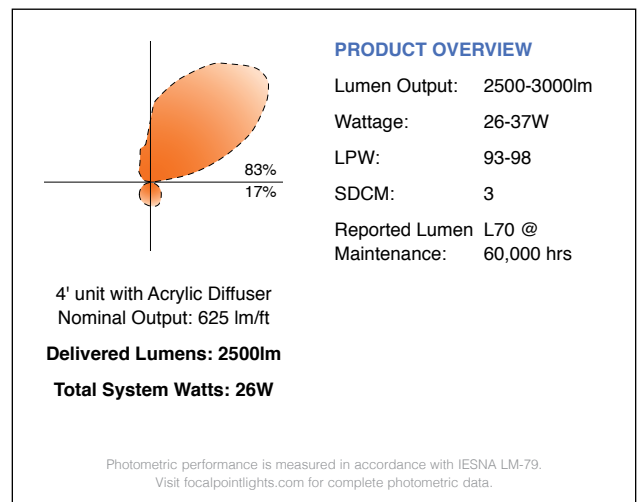
FEATURES

Miniature wall mount direct/indirect LED luminaire.

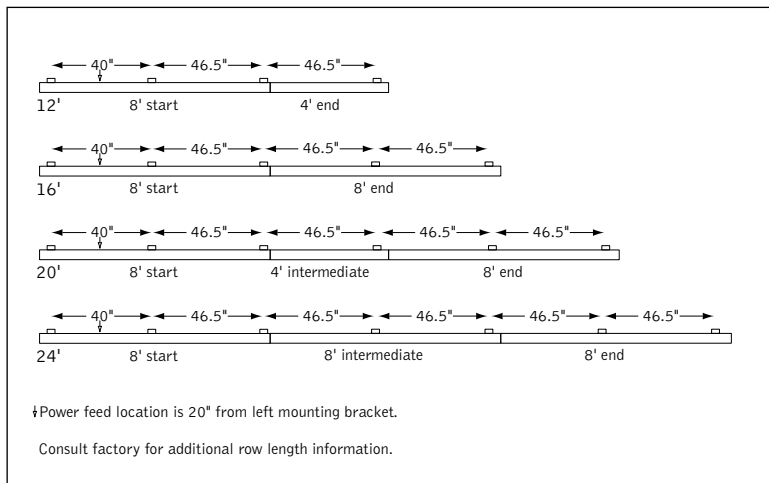
Features Gradient Optic which softens cut-off line on surrounding walls and other vertical structures. Beam Smoothing Diffuser provides additional softening to the beam.

MicroGlow lens offers cutoff & brightness control to support comfortable environments.

PERFORMANCE



DETAILS



SPECIFICATIONS

LED Systems

Linear LED module incorporates premium LEDs on a robust platform to achieve excellent thermal management. Available in 3000K, 3500K, 4000K with CRI>80, 3SDCM. LED boards and drivers are replaceable.

Construction

One-piece 22 Ga. steel housing. Steel end caps attach flush to housing. For row installation, internal brackets form hairline joint. All luminaires are provided with single-point suspension mounted on 48", 72" or 96" centers. 4' unit weight: 8lbs. 6' unit weight: 13lbs. 8' unit weight: 19lbs.

Optic

Reflector fabricated of low iridescent, semi specular premium grade aluminum. 0.125" thick acrylic lens. 0.42" smooth acrylic Beam Smoothing Diffuser (dust cover) standard.

Electrical

Luminaires are pre-wired with factory installed branch circuit wiring and over-molded quick connects. Standard 120-277V constant current driver includes 0-10V analog dimming. Power factor > .9.

Emergency Battery

Emergency output—12W for 90 minutes for all available models.

Labels

UL and cUL listed. Suitable for Dry or Damp Locations, indoor use only.

Finish

Polyester powder coat applied over a multi-stage pre-treatment.

Lumen Maintenance

Calculated: L70 at 130,000 hours Reported: L70 at 60,000 hours
Derived from EPA TM-21 calculator per 10,000hrs of LED test data.

Warranty

LED system rated for operation in ambient environments up to 25°C. 5 year limited warranty.

4' PERFORMANCE CHART

Shielding	Lumens per Foot	Delivered Lumens	System Watts	LPW
Acrylic Diffuser / MicroGlow Lens	625LF	2500	26	98
	750LF	3000	30	97
	875LF	3500	37	93

*Based on 3500K. Color Temperature multipliers: 3000K - 1.035, 4000K - 0.975. *Lumen output may vary +/- 5%. Actual wattage may vary +/- 5%

ORDERING

Fixture Series		FDALW	FDALW
Dart LED		FDALW	
Shielding			
Acrylic Diffuser		AC	
MicroGlow Prismatic Lens		MG	
Lumen Output			
625 Lumens per foot		625LF	
750 Lumens per foot		750LF	
875 Lumens per foot		875LF	
Color Temperature			
3000K		30K	
3500K		35K	
4000K		40K	
Circuits			1C
Single Circuit		1C	
Voltage			
120/277 UNV Volt		UNV	
347 Volt (LD1 only)		347	
Driver			
<small>(See Driver Reference for driver quantities)</small>			
0-10V - 1% Dimming		L11	
0-10V - 10% Dimming		LD1	
Lutron A-Series		L3D	
1% EcoSystem Driver			
<small>(Consult factory for 3-wire control)</small>			
Lutron 5-Series		LU5	
1% EcoSystem Driver			
Lutron H-Series		LH1	
1% Dimming			
DALI - 1% Dimming		D11	
DALI - 10% Dimming		DD1	
Step Dimming		SD5	
<small>(Not available with 625LF)</small>			
Mounting			WM
Wall Mount		WM	
Factory Options			
Emergency Circuit		EC	
<small>(Not available in 6' units)</small>			
Emergency Battery		EM	
<small>(Not available in 6' units)</small>			
<small>(Sensor options available—consult factory)</small>			
Finish			
Titanium Silver		TS	
Matte Satin White		WH	
Fixture Run Length			
	4'	4'	
	6'	6'	
<small>(Can not be combined with 4' & 8' lengths to create longer run length)</small>			
	8'	8'	
	12' (8'+4')	12'	
	16' (8'+8')	16'	
	20' (8'+4'+8')	20'	
	24' (8'+8'+8')	24'	
<small>(Individual units may not be field modified for continuous row mount)</small>			