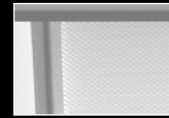


# Equation™ 2 1x1

LED

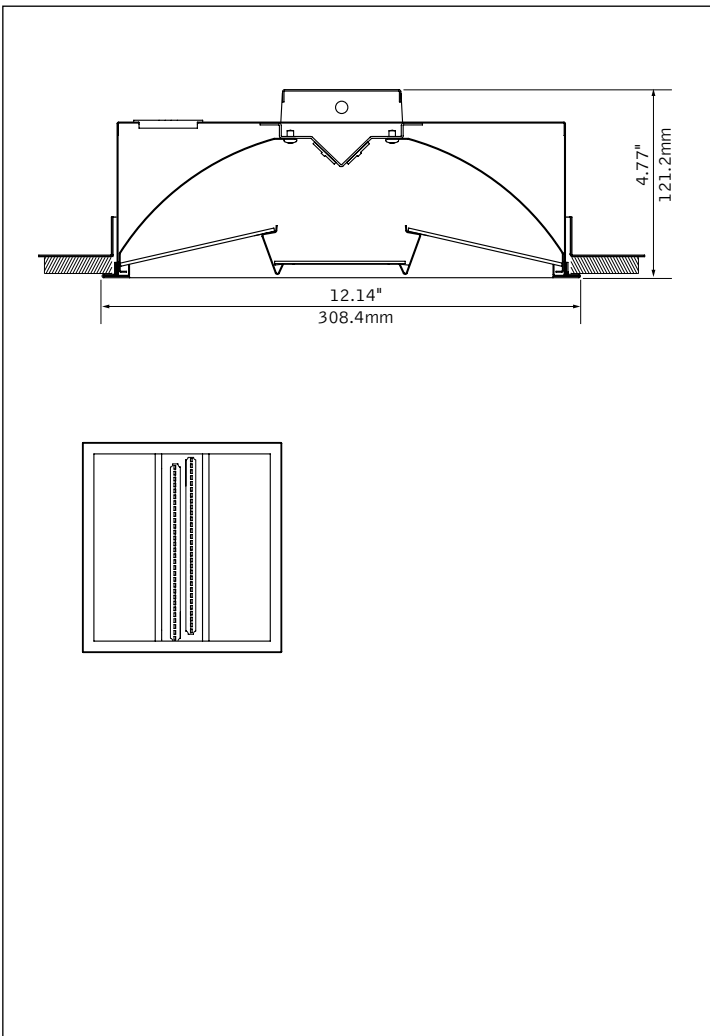


opal acrylic lens



MicroGlow™ lens

## DIMENSIONAL DATA



## FEATURES

Equation™ 2 blends sleek aesthetics with uniform diffuse illumination.

Center diffuser features MicroGlow™ prismatic lens for brightness control and visual comfort. Opal acrylic center lens may also be specified.

Premium LEDs operate efficiently on a robust module platform to achieve excellent thermal management and reliable operation.

## PERFORMANCE

Opal Acrylic Lens  
**Delivered Lumens: 1000lm**  
**Total System Watts: 12W**

**PRODUCT OVERVIEW**

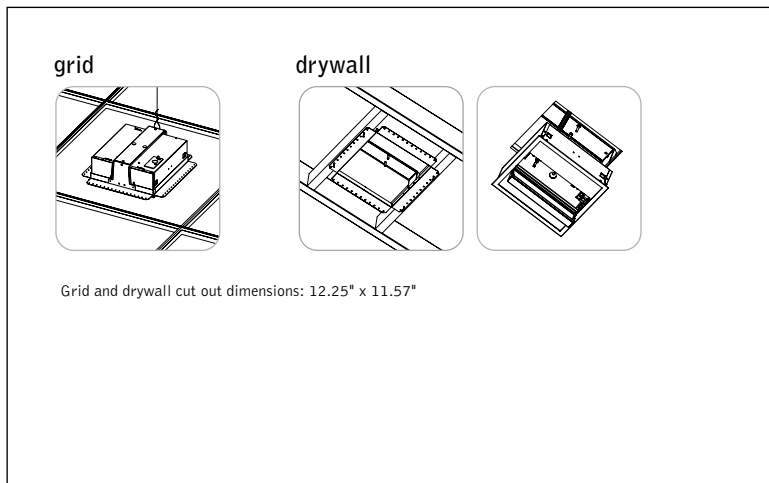
Lumen Output: 1000-1500lm  
 Wattage: 12-19W  
 LPW: 79-83  
 SDCM: 3  
 Reported Lumen L80 @ Maintenance: 60,000hrs

Photometric performance is measured in accordance with IESNA LM-79. Visit focalpointlights.com for complete photometric data.

fixture:

project:

**DETAILS**



**SPECIFICATIONS**

**LED System**

Proprietary linear LED module incorporates premium LEDs on a robust platform to achieve excellent thermal management. LEDs are placed to promote a uniform appearance. Available in 3000K, 3500K or 4000K with CRI>80, 3 SDCM. Contact factory for additional color temperature and CRI options. LED modules and drivers are replaceable from below.

**Construction**

One-piece 24 Ga. steel housing. Two-piece 24 Ga. steel reflectors. 24 Ga. steel ends form finishing housing. Housing ships with universal 24 Ga. galvanized steel mounting yoke for grid or drywall ceiling. Weight: 9 lbs.

**Optic**

24 Ga. steel reflectors finished in matte satin white powder coat. .080" thick frosted white acrylic diffusers. Center shielding options include .080" thick opal acrylic lens or MicroGlow™ prismatic lens with optical filter overlay.

**Electrical**

Standard 120-277V driver includes 0-10V analog dimming. Power factor > .9. Optional DALI or Lutron Ecosystem drivers available.

**Labels**

UL and cUL listed. Suitable for Dry or Damp Locations, indoor use only.

**Finish**

Polyester powder coat applied over a 5-stage pre-treatment.

**Lumen Maintenance**

Reported: L80 at 60,000 hours  
(Derived from EPA TM-21 calculator per 10,000 hours of LED test data)

**Warranty**

LED system rated for operation in ambient environments up to 25°C. 5-year limited warranty.

**PERFORMANCE CHART**

Delivered Lumens	Tested System Watts	LPW
1000	12	83
1500	19	79

3500K data. \*Lumen output may vary +/- 5%. Actual wattage may vary +/- 5%. Multipliers: 2700K - 0.949, 3000K - 0.966, 4000K - 1.025.

**ORDERING**

<b>Luminaire Series</b>	<b>FEQ2</b>	<b>FEQ2</b>
Equation 2	FEQ2	
<b>Nominal Size</b>	<b>11</b>	<b>11</b>
1' x 1'	11	
<b>Shielding</b>		
Opal Acrylic Lens	AC	
MicroGlow™ Prismatic Lens	MG	
<b>Lumen Output</b>		
1000 Lumens	1000L	
1500 Lumens	1500L	
<b>Color Temperature</b>		
3000K	30K	
3500K	35K	
4000K	40K	
<b>Circuits</b>	<b>1C</b>	<b>1C</b>
Single Circuit	1C	
<b>Voltage</b>	<b>UNV</b>	<b>UNV</b>
UNV 120/277 Volt	UNV	
<b>Driver</b>		
0-10V - 10% Dimming	LD1	
0-10V - 1% Dimming	L11	
DALI - 1% Dimming	D11	
Lutron A-Series	L3D	
1% EcoSystem Digital <small>(Consult factory for 3-wire control)</small>		
<b>Mounting</b>	<b>U</b>	<b>U</b>
Universal	U	
<b>Factory Options</b>		
Chicago Plenum	CP	
6' New York City Flex Whip (120V)	FNY1	
6' New York City Flex Whip (277V)	FNY2	
6' Flex Whip	FW	
<small>(Sensor options available—consult factory)</small>		
<b>Finish</b>	<b>WH</b>	<b>WH</b>
Matte White Housing	WH	