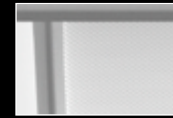


Equation™ 2 1x1

LED

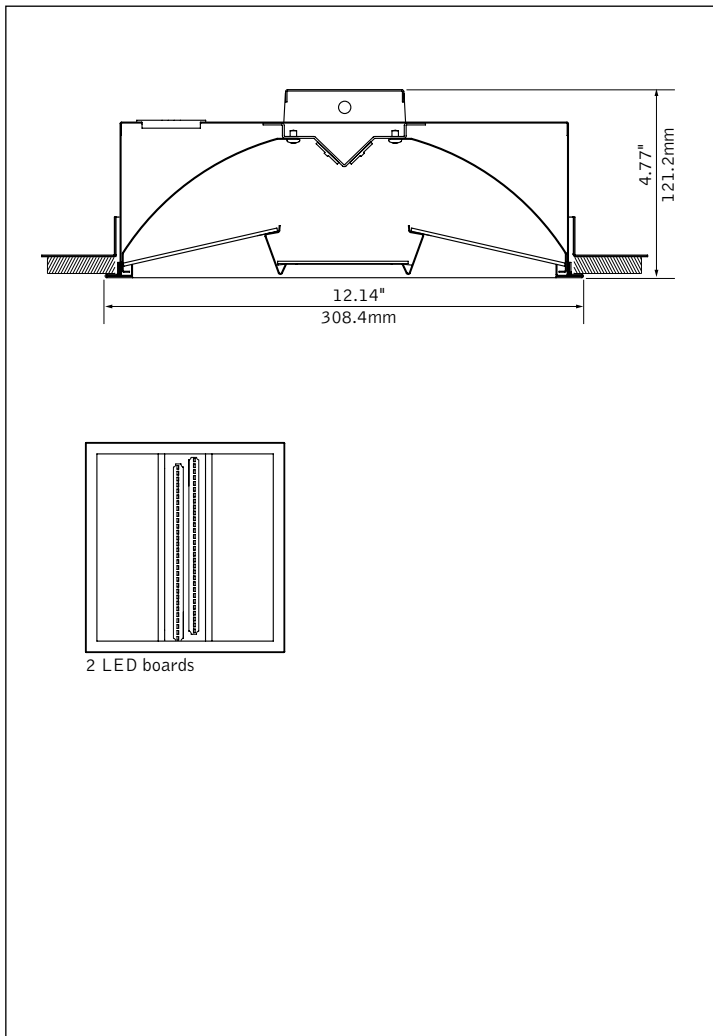


opal acrylic lens



MicroGlow lens

DIMENSIONAL DATA



FEATURES

Equation™ 2 blends sleek aesthetics with uniform diffuse illumination.

Center diffuser features MicroGlow prismatic lens for brightness control and visual comfort. Opal acrylic center lens may also be specified.

Premium LEDs operate efficiently on a robust module platform to achieve excellent thermal management and reliable operation.

PERFORMANCE

Opal Acrylic Lens
Delivered Lumens: 1000lm
Total System Watts: 12W

Photometric performance is measured in accordance with IESNA LM-79. Visit focalpointlights.com for complete photometric data.

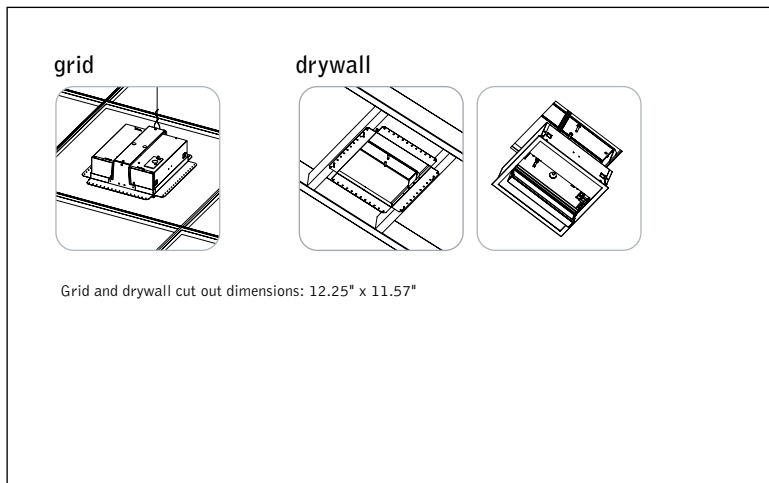
PRODUCT OVERVIEW

Lumen Output:	1000-1500lm
Wattage:	12-19W
LPW:	79-83
SDCM:	3

fixture:

project:

DETAILS



SPECIFICATIONS

LED System

Proprietary linear LED module incorporates premium LEDs on a robust platform to achieve excellent thermal management. LEDs are placed to promote a uniform appearance. Available in 3000K, 3500K or 4000K with CRI>80, 3 SDCM. Contact factory for additional color temperature and CRI options. LED modules and drivers are replaceable from below.

Construction

One-piece 24 Ga. steel housing. Two-piece 24 Ga. steel reflectors. 24 Ga. steel ends form finishing housing. Housing ships with universal 24 Ga. galvanized steel mounting yoke for grid or drywall ceiling. Weight: 9 lbs.

Optic

24 Ga. steel reflectors finished in matte satin white powder coat. .080" thick frosted white acrylic diffusers. Center shielding options include .080" thick opal acrylic lens or MicroGlow prismatic lens with optical filter overlay.

Electrical

Standard 120-277V driver includes 0-10V analog dimming. Power factor > .9. Optional DALI or Lutron EcoSystem drivers available.

Labels

UL and cUL listed. Suitable for Dry or Damp Locations, indoor use only.

Finish

Polyester powder coat applied over a multi-stage pre-treatment.

Lumen Maintenance

Reported: L80 at 60,000 hours
Derived from EPA TM-21 calculator. Based on typical conditions, consult factory for additional data.

Reliability

At Focal Point, our products are designed to stand the test of time. Each luminaire is engineered using superior components, manufactured with the utmost care and rigorously tested. Contact us for reliability data.

Warranty

LED system rated for operation in ambient environments up to 25°C. 5-year limited warranty.

PERFORMANCE CHART

Delivered Lumens	Tested System Watts	LPW
1000	12	83
1500	19	79

3500K data. Lumen output may vary +/- 5%. Actual wattage may vary +/- 5%. Multipliers: 2700K - 0.949, 3000K - 0.966, 4000K - 1.025, Preferred Light = 0.65.

ORDERING

Luminaire Series		FEQ2
Equation 2	FEQ2	
Nominal Size		11
1' x 1'	11	
Shielding		
Opal Acrylic Lens	AC	
MicroGlow Prismatic Lens	MG	
Lumen Output		
1000 Lumens	1000L	
1500 Lumens	1500L	
Color Temperature		
3000K	30K	
3500K	35K	
4000K	40K	
Circuits		1C
Single Circuit	1C	
Voltage		UNV
UNV 120/277 Volt	UNV	
Control System & Dimming Level		
0-10V - 10% Dimming	LD1	
0-10V - 1% Dimming	L11	
DALI - 1% Dimming	D11	
Lutron A-Series	L3D	
1% EcoSystem Digital <small>(Consult factory for 3-wire control)</small>		
Mounting		U
Universal	U	
Factory Options		
Chicago Plenum	CP	
6' New York City Flex Whip (120V)	FNY1	
6' New York City Flex Whip (277V)	FNY2	
6' Flex Whip	FW	
<small>(Sensor options available—consult factory)</small>		
Finish		WH
Matte White Housing	WH	