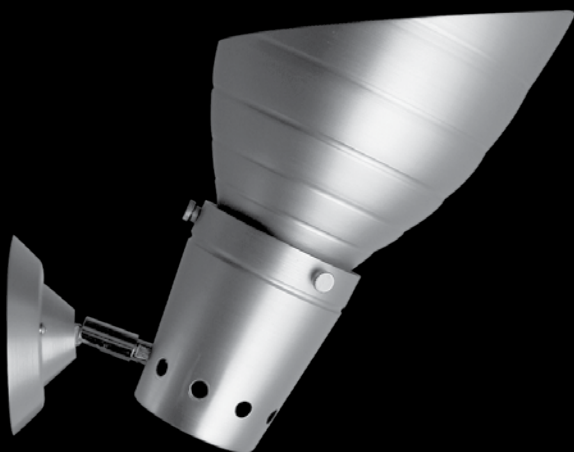


Groove[®] A

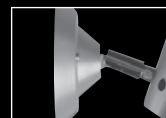
FLUORESCENT



FOCAL POINT[®]



decorative grooves

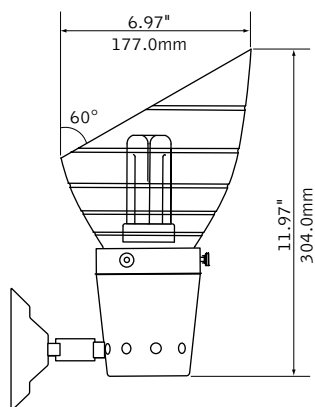


stepped canopy

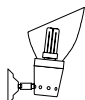


pendant companion

DIMENSIONAL DATA



lamping options



18W & 26W TRIPLE TUBE

FEATURES

Wall mount decorative compact fluorescent sconce.

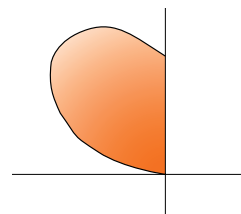
Housing, reflector and canopy are spun with high quality aluminum.

Matte interior surface of reflector controls lamp imaging while maintaining high efficiency.

340° swivel mounting arm and 90° tilt adjustment allows precise light adjustment.

Ideally suited for retail, hospitality, lobbies, corridors, open ceiling areas and other specialty applications.

PERFORMANCE



PRODUCT OVERVIEW

Lumen Output: 898-1346lm

Wattage: 19-28W

Lamping: TT

1-Lamp 18W Triple Tube

74.7% Efficient

310 cd @ 145°

Visit focalpointlights.com for complete photometric data.

fixture:

project:

SPECIFICATIONS

Construction

Housing and canopy are each one-piece precision-spun 14Ga. aluminum. Housing: 5.51"H x 3.68"Dia. Canopy: 1.32"H x 4.52"Dia. stepped design with (2), #8 screws for mounting canopy to junction box bracket. 340° horizontal adjustment and 90° vertical tilt swivel arm finished in polished chrome. Weight: 4 lbs.

Optic

14Ga. anodized aluminum reflector with diffuse satin matte surface for lamp image reduction.

Electrical

Luminaires are pre-wired for single circuit with thermally protected Class "P" electronic ballast. Single lamp triple tube compact fluorescent, 4-pin, 18w.-(GX24q-2) or 26w.-(GX24q-3/4).

Labels

UL listed.

Finish

Luminaire housing, reflector and canopy are clear anodized with polished satin finish. Reflector interior has matte diffuse finish.

ORDERING

Luminaire Series		FGR
Groove	FGR	
Profile		A
Profile	A	
Lamp Quantity		1
One Lamp	1	
Lamp Type		
18W Triple Tube, GX24q-2	18TT	
26W Triple Tube, GX24q-3/4	26TT	
Voltage		
120 Volt	120	
277 Volt	277	
Ballast		S
Electronic <15% THD	S	
Mounting		WM
Wall Mount	WM	
Factory Options		
Include 3000K Lamp*	L830	
Include 3500K Lamp*	L835	
Include 4100K Lamp*	L841	
<small>(Fluorescent lamps only)</small>		
Finish		NA
Natural Anodized	NA	

Groove[®] A

FLUORESCENT

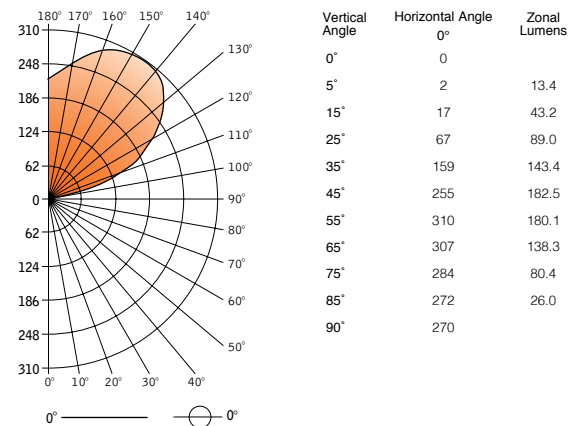
FGR-A-1-18TT-E-120-WM-NA

Filename: FGRA118TT.IES

Lumens: 896lm

Efficiency 74.7%

CANDELPower DISTRIBUTION



LUMEN SUMMARY

Zone	Lumens	% Lamp	% Fixture
90°-120°	145.6	12.1	16.2
90°-130°	289.0	24.1	32.2
90°-150°	651.6	54.3	72.7
90°-180°	896.3	74.7	100.0
Total Luminaire	896.3	74.7	100.0

Numbers indicate percentage values of reflectivity.

Go to www.focalpointlights.com for additional photometric data.