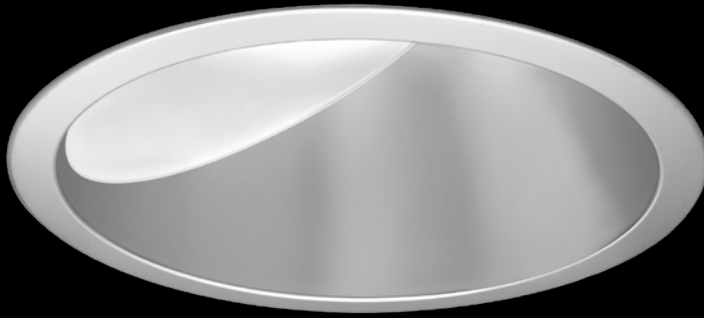


ID+ 8"

LED HIGH CEILING WALL WASH



FOCAL POINT®



non-painted trim

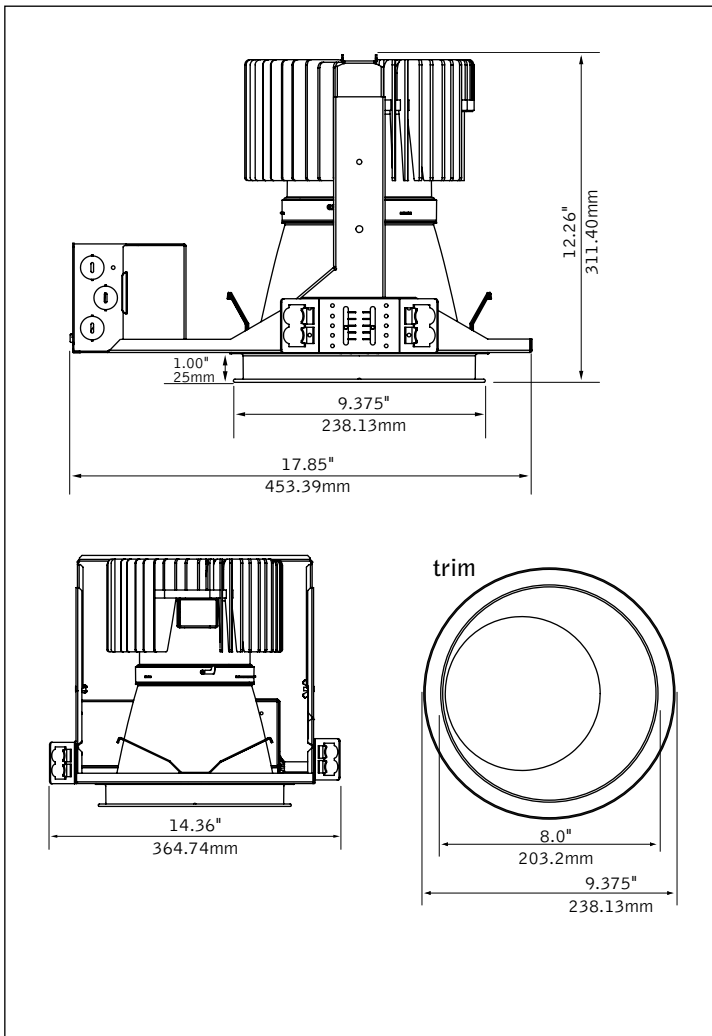


white painted trim



downlight companion

DIMENSIONAL DATA



FEATURES

High ceiling wall wash is ideal for lobbies, atriums and convention centers.

Optical design creates homogenous light source appearance.

Selection of dimming drivers available.

Passive cooling allows silent operation.

Self-flanged Clear Diffuse reflector cone features superior brightness control and 50-degree cutoff to light source and its image.

PERFORMANCE

PRODUCT OVERVIEW

Lumen Output:	2000-4000lm
Wattage:	32-85W
LPW:	47-62
SDCM:	3
Lumen Maintenance:	L70 @ 109,000hrs

30° Wall Wash
3000k

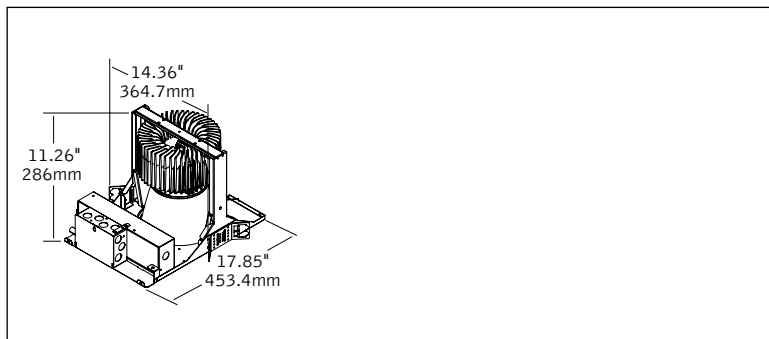
Delivered Lumens: 3000lm
Total System Watts: 592W

Photometric performance is measured in accordance with IESNA LM-79.
Visit focalpointlights.com for complete photometric data.

fixture:

project:

HOUSING DETAIL



HOUSING SPECIFICATIONS

LED System

Proprietary array incorporates premium LEDs on a robust platform. Aluminum heat sink provides appropriate thermal management.

LED Module

Module may be specified in 3000K, 3500K or 4000K, CRI>80. Color accuracy within 2 SDCM. Cree LED features EasyWhite technology for maximum efficacy, color consistency and optical control.

Construction

Thermally protected housing for new construction applications. Insulation to be kept 3" away from housing. Butterfly brackets allow mounting to 1/2 emt. Die-cast aluminum heat sink designed for maximum thermal dissipation. Die-formed housing and integral junction box with (7) 1/2" pry outs. Accommodates ceiling thicknesses up to 1" standard, field adjustable up to 3" thickness. For thicker ceiling consult factory. 18" O.C. fixture to wall and 36" O.C. fixture to fixture spacing required. Unit weight: 17.4 lbs.

Electrical

Choice of constant current dimming drivers. Power factor > .9 typical.

Emergency Battery

Bodine BSL17-C2. Emergency output—7W for 90 minutes for all available models.

Labels

UL and cUL listed. Suitable for Dry or Damp Locations, indoor use only.

Lumen Maintenance

Calculated: L70 at 109,000 hours Reported: L70 at >37,000 hours
Derived from EPA TM-21 calculator

Warranty

LED System rated for operation in ambient environments up to 45°C. 5-year limited warranty.

TRIM SPECIFICATIONS

Aesthetics

Parabolic reflector cone ensures glare free optics. Reflector is .050 spun aluminum. Torsion springs pull trim tight to the ceiling with no visible fasteners within the trim. Trims are self-flanged. Non-painted trim matches reflector finish. White painted flange may also be specified.

Optics

50-degree cut-off to light source and its image.

PERFORMANCE CHART

Optic	Delivered Lumens	System Watts	LPW
Wall Wash	2000 Lumens	32	63
	3000 Lumens	59	51
	4000 Lumens	86	47

*Tested with 3000K, Clear Diffuse Reflector. Lumen output may vary +/- 5%. Actual wattage may vary +/- 5%

HOUSING ORDERING

Housing Series	ID+ 8" Round	FL8H
Trim Type	Round Overlap	RO
Lumen Output	2000 Lumens	2000L
	3000 Lumens	3000L
	4000 Lumens	4000L
<small>(Not available with L3D)</small>		
Color Temperature	3000K	30K
	3500K	35K
	4000K	40K
Distribution	Wall Wash	WW
Voltage	120V	120
	277V	277
Driver	0-10V - 1% Dimming	L11
	0-10V - 0% Dimming	LZ1
	DALI - 1% Dimming	D11
	DMX/RDM - 1% Dimming	X11
	Lutron A-Series - 1% EcoSystem Digital	L3D
<small>(2) EcoSystem addresses consumed (Consult factory for 3-wire control)</small>		
Housing Type	Thermally Protected, Non-IC	T
Factory Options	Chicago Plenum	CP
	Emergency Battery Pack with Remote Test Switch	EMR
<small>(Above ceiling access only)</small>		
TRIM ORDERING		
Aperture	8" Round Reflector	L8H
Trim Type	Round	RD
Optic	Wall Wash	WW
Color	Clear Diffuse	CD
Flange Finish	Non-Painted	NP
	White Painted	WP

A complete unit consists of two line items, housing and trim
Example: FL8H-RO-3500L-30K-WW-120-L11-T | L8H-RD-WW-CD-NP

ID+ 8"

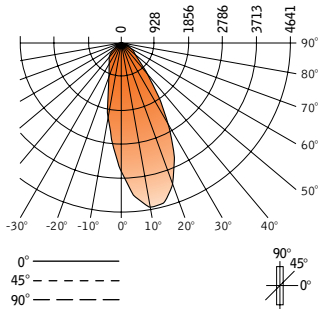
LED HIGH CEILING - WALL WASH

FL8H-RO-3000L-WW-35K-120-LD1-T/L8H-RD-WW-CD-NP

Filename: FL8HRO3000L30WW.IES
 Test #: 17948.0

Lumens: 2998lm
 System Watts: 59W
 LPW: 51

CANDLEPOWER DISTRIBUTION

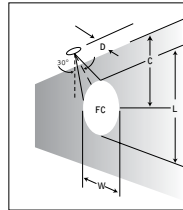


Vertical Angle	Horizontal Angle				
	0°	45°	90°	135°	180°
0°	3578	3578	3578	3578	3578
5°	4241	4191	3593	2977	2673
15°	4641	4176	2609	1628	1283
25°	3362	2753	1301	764	753
35°	1645	1321	544	513	570
45°	598	514	280	276	299
55°	261	217	157	72	39
65°	119	94	47	0	0
75°	35	27	3	0	0
85°	3	0	0	0	0
90°	0	0	0	0	0

LUMEN SUMMARY

Zone	Lumens	% Fixture	
0-30°	1923	64.1	
0-40°	2487	82.9	
0-60°	2930	97.7	
0-90°	2998	100.0	
Total Luminaire	0-90°	2998	100.0

FOOTCANDLE VALUES



30° aiming angle - vertical surface

D	C	FC	L	W
18"	2.2'	138	3.1'	2.2'
24"	3.2'	79	4.0'	2.9'
30"	3.8'	51	5.1'	3.6'
36"	4.8'	36	6.1'	4.6'

Footcandle results based on AGI32; Reflectances=0/0/0; LLF=1

Go to www.focalpointlights.com for additional photometric data.