

ID+ 3.5" x 3.5"

LED WALL WASH



FOCAL POINT®



clear diffuse



warm diffuse



titanium silver flange



black flange



white flange



die-cast black

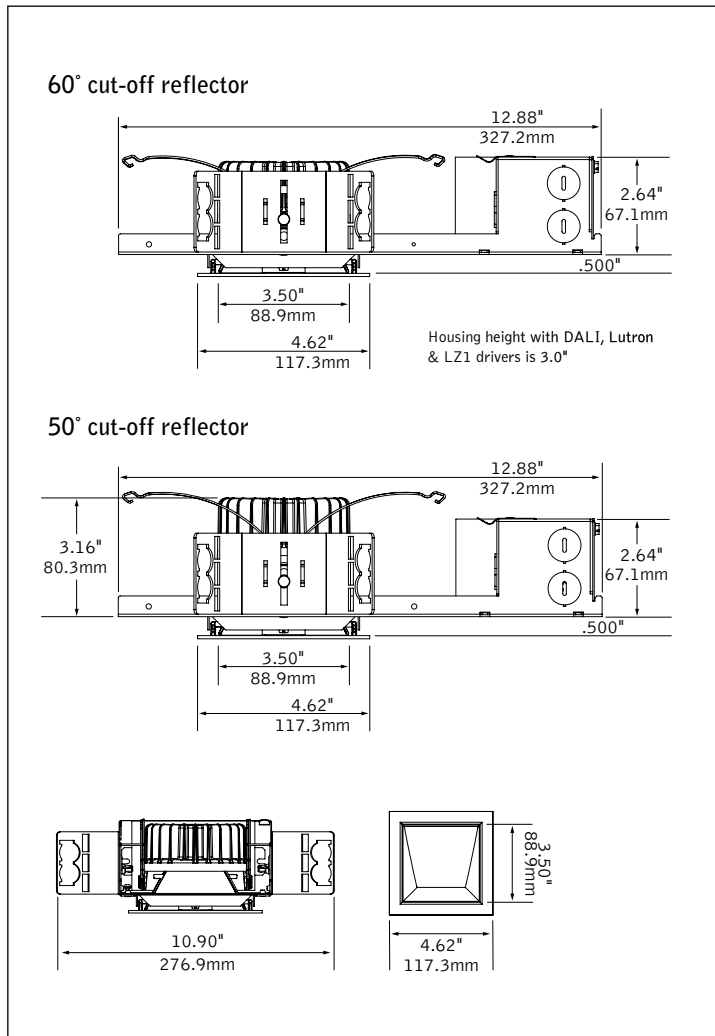


die-cast white



trimless companion

DIMENSIONAL DATA



FEATURES

Less than 2.64" low profile housing available.

ChromaSure: Color consistency resulting in a 2-step MacAdam ellipse across the entire ID+ product line.

Field adjustability of ceiling thickness from 0.5" - 1.5".

50° cut-off and 60° cut-off reflector options available.

Selection of dimming drivers available.

PERFORMANCE

PRODUCT OVERVIEW

Lumen Output: 700-1500lm

Wattage: 8-17W

LPW: 85-92

SDCM: 2

Short 60° Cut-off,
White Reflector, 3500K

Delivered Lumens: 1500lm

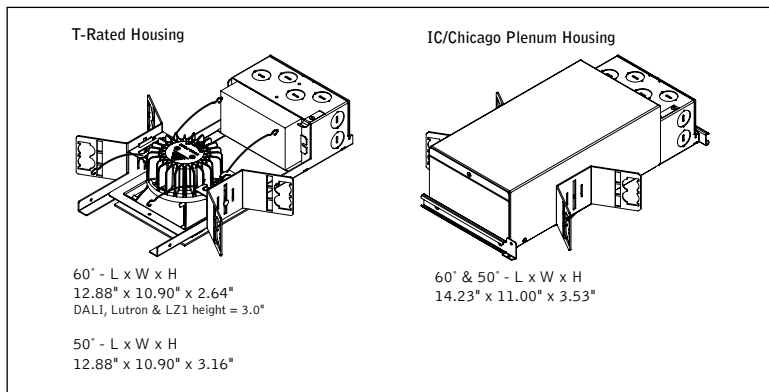
Total System Watts: 17W

Photometric performance is measured in accordance with IESNA LM-79.
Visit focalpointlights.com for complete photometric data. Visit energystar.gov for model specifics.

fixture:

project:

HOUSING DETAILS



HOUSING SPECIFICATIONS

Construction

Thermally protected housing for new construction applications. Insulation to be kept 3" away from housing. Type IC inherently protected, suitable for direct contact with insulation. Restrictive airflow per ASTM-E283. Butterfly brackets allow mounting to ½ emt. Order bar hangers as an accessory. Die-cast aluminum heat sink designed for maximum thermal dissipation. Die-formed housing and integral junction box with (7) 1/2" pry outs. Accommodates ceiling thicknesses up to 0.5" standard, field adjustable up to 1.5" thickness. For thicker ceiling consult factory. Fixture will not exceed 5 lb.

Electrical

Choice of constant current dimming drivers. Power factor > .9 typical.

Labels

UL and cUL listed. Suitable for Dry, Damp or Wet Locations, indoor use only.

Lumen Maintenance

Reported: L70 at >55,000 hours Calculated: L70 at 420,000 hours
 L90 at >55,000 hours L90 at 109,000 hours

Derived from EPA TM-21 calculator. Based on typical conditions, consult factory for additional data.

Reliability

At Focal Point, our products are designed to stand the test of time. Each luminaire is engineered using superior components, manufactured with the utmost care and rigorously tested. Contact us for reliability data.

Warranty

LED System rated for operation in ambient environments up to 25°C. 5-year limited warranty.

TRIM & LED SPECIFICATIONS

LED System

Proprietary array incorporates premium LEDs on a robust platform. May be specified in 2700K, 3000K, 3500K or 4000K, CRI>80 or >90. Color accuracy within 2 SDCM. Aluminum heat sink provides appropriate thermal management.

Aesthetics

Die-formed aluminum reflector ensures glare free optics. Reflector attaches to die-cast, seamless flange and may be removed for field painting. Full die-cast painted reflectors also available. Torsion springs pull trim tight to the ceiling with no visible fasteners within the trim.

Optics

50-degree or 60-degree cut-off to light source and its image. Wall wash features acrylic diffuser to provide smooth illumination down the wall.

PERFORMANCE CHART—SHORT 60° CUT-OFF

Delivered Lumens	System Watts	LPW
700	8	88
900	10	90
1100	12	92
1300	15	85
1500	17	87

Based on Die-Cast Trimless, 3500K,80CRI, Wide Flood, White. See page 3 for lumen performance multipliers. Lumen output may vary +/- 5%. Actual wattage may vary +/- 5%.

HOUSING ORDERING

Housing Series	FLC33W
ID+ 3.5" Square	FLC33W
Trim Type	SO
Square Overlap	SO
Lumen Output	
700 Lumen	700L
900 Lumen	900L
1100 Lumen	1100L
1300 Lumen	1300L
1500 Lumen	1500L
Voltage	
120V	120
277V	277
Control System & Dimming Level	
0-10V - 0% Dimming	LZ1
0-10V - 1% Dimming	L11
0-10V - 10% Dimming	LD1
Forward Phase	LFP
(120V only, 900 & 1300 Lumens only.)	
Lutron Hi-Lume EcoSystem (LDE1) -	
1% Dimming	LH1
(700 & 1500 lumens not available.)	
Lutron 5-Series EcoSystem (LDE5) -	
5% Dimming	LU5
(1300 Lumens only)	
Lutron Hi-Lume - Forward Phase -	
1% Dimming	LTE
(120V only, 1500 lumens not available.)	
DALI - 0% Dimming	DZ1
DALI - 1% Dimming	D11
Housing Type	
IC Rated / Airtight	IC
(Available options: L11 & LD1: 700, 900 & 1100 Lumens. LFP: 900 & 1300 Lumens.)	
Thermally Protected, Non-IC	T
(Housing height = 3.0" for LZ1, L3D, LH1, LTE, LU5, D11 & DZ1)	
Factory Options	
Bar Hangers	BH
Chicago Plenum	CP
TRIM & LED MODULE	
Aperture	LC33
3.5" Square Reflector	LC33
Trim Type	
Square Overlap	SO
Square Die-Cast Overlap	SDO
(Die-cast trim available in Black/Black or White/White finishes only)	
Lumen Output	
(Trim & housing output must match)	
700 Lumen	700L
900 Lumen	900L
1100 Lumen	1100L
1300 Lumen	1300L
1500 Lumen	1500L
Color Temperature	
2700K, 80+ CRI	27K
2700K, 90+ CRI	927K
3000K, 80+ CRI	30K
3000K, 90+ CRI	930K
3500K, 80+ CRI	35K
3500K, 90+ CRI	935K
4000K, 80+ CRI	40K
4000K, 90+ CRI	940K
Optic	
Tall Cone with 50° cut-off	WWT
(Not available with Die-Cast trims.)	
Short Cone with 60° cut-off	WWS
Color	
Clear Diffuse	CD
Warm Diffuse	WD
Black	BK
White	WH
Flange Finish	
Black Painted	BK
White Painted	WH
Titanium Silver	TS



Options in orange qualify for the Quickship program. 5-day up to 30 pieces. Refer to Quickship Guide for complete details.

LUMEN PERFORMANCE MULTIPLIER CHART - SQUARE WALL WASH

Option	Description	Ordering Code	Multiplier
Trim Type	Square Trimless	ST	0.84
	Square Overlap	SO	0.79
	Square Die-Cast Trimless	SDT	0.93
	Square Die-Cast Overlap	SDO	0.92
Color Temperature	2700K, 80+ CRI	27K	0.93
	2700K, 90+ CRI	927K	0.75
	3000K, 80+ CRI	30K	1.00
	3000K, 90+ CRI	930K	0.81
	3500K, 80+ CRI	35K	1.00
	3500K, 90+ CRI	935K	0.87
	4000K, 80+ CRI	40K	1.00
	4000K, 90+ CRI	940K	0.87
Optic	Tall Cone with 50° cut-off	WWT	0.92
	Short Cone with 60° cut-off	WWS	1.00
Color	Clear Diffuse	CD	1.00
	Warm Diffuse	WD	0.85
	White Non-Die-Cast	WH	1.13
	White Die-Cast	WH	1.00
	Black	BK	0.56

ID+ 3.5" x 3.5"

LED WALL WASH

FLC33W-SO-1300L-120-L11-T/LC33-SDO-1300L-35K-WWS-WH

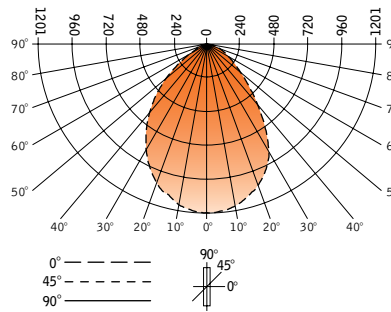
Filename: FL33DSO1300LSDO35KWWSWFLWH.IES

Lumens: 1201lm

System Watts: 15W

LPW: 80

CANDLEPOWER DISTRIBUTION



Vertical Angle	Horizontal Angle				Zonal Lumens
	0°	22.5°	45°	67.5°	
0°	739	739	739	739	739
5°	735	732	733	732	69
15°	693	684	684	680	193
25°	613	601	584	555	266
35°	452	454	442	351	258
45°	268	277	257	185	190
55°	152	155	134	111	119
65°	89	85	75	61	64
75°	47	41	34	27	32
85°	10	7	6	5	8
90°	0	1	1	1	0

LUMEN SUMMARY

Zone	Lumens	% Fixture	
0-30°	528	44.0	
0-40°	786	65.5	
0-60°	1096	91.3	
0-90°	1201	100.0	
Total Luminaire	0-180°	1201	100.0

LUMINANCE DATA (CD/M²)

Vertical Angle	Horizontal		
	0°	45°	90°
45°	44717	42897	27541
55°	31147	27564	20433
65°	24735	20837	14998
75°	21406	15454	11050
85°	12935	8719	6992

CO-EFFICIENTS OF UTILIZATION

Floor Ceiling Wall	80		70		20		50		30		10		00		
	RCR	0	119	119	119	119	116	116	116	111	111	106	106	102	102
1	111	107	104	101	109	105	99	101	96	97	93	94	91	89	
2	103	97	91	87	101	95	86	91	84	88	82	85	80	78	
3	96	87	81	75	94	86	75	83	73	80	72	78	71	69	
4	89	79	72	66	87	78	66	76	65	74	64	72	64	62	
5	83	72	65	59	81	71	59	69	58	67	58	66	57	55	
6	78	66	59	53	76	65	53	64	53	62	52	61	52	50	
7	73	61	53	48	71	60	48	59	48	58	47	56	47	45	
8	68	56	49	44	67	56	44	55	44	53	43	52	43	41	
9	64	52	45	40	63	52	40	51	40	50	40	49	40	38	
10	61	49	42	37	59	48	37	47	37	47	37	46	37	35	

Numbers indicate percentage values of reflectivity.

Go to www.focalpointlights.com for additional photometric data.