

ID+ 3.5"

LED DOWNLIGHT



FOCAL POINT®



clear diffuse



warm diffuse



white painted flange



black painted

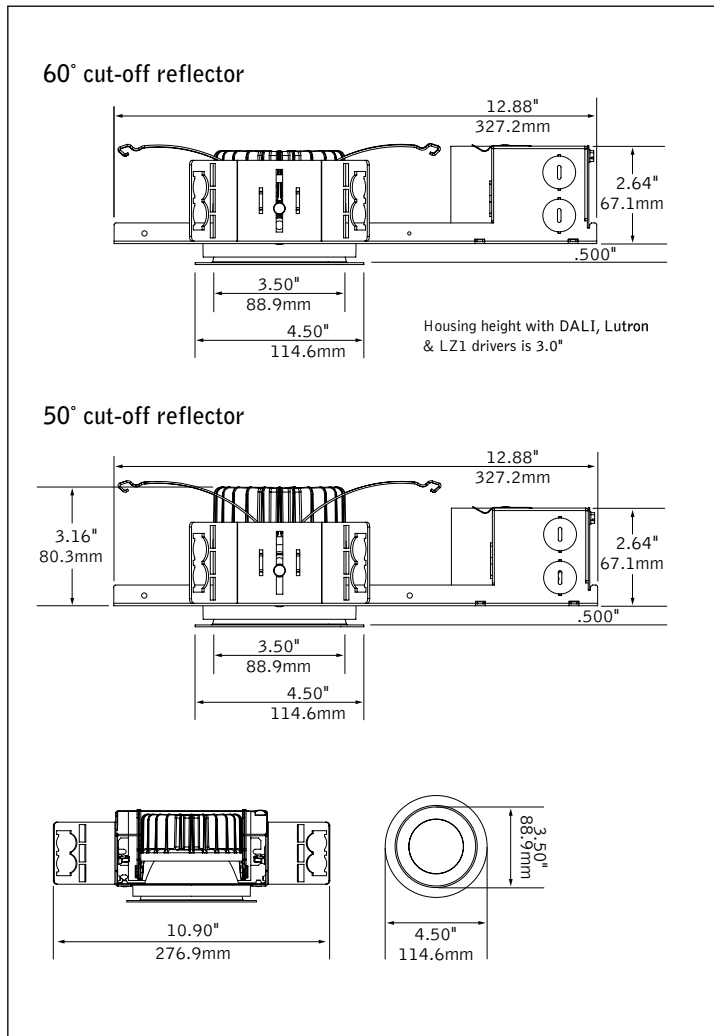


white painted



trimless companion

DIMENSIONAL DATA



FEATURES

Less than 2.64" low profile housing available.

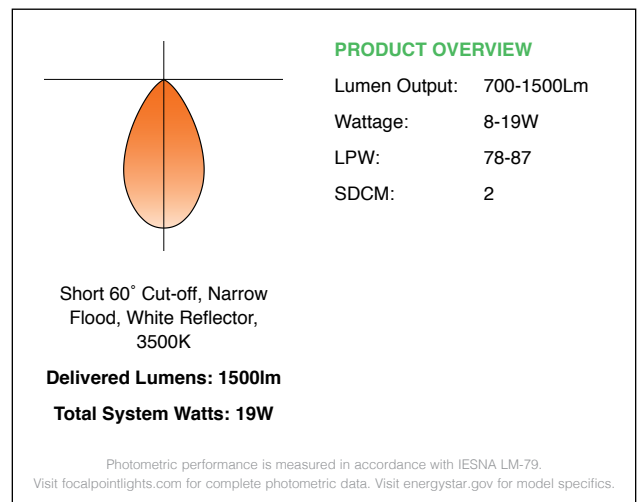
ChromaSure: Color consistency resulting in a 2-step MacAdam ellipse across the entire ID+ product line.

Field adjustability of ceiling thickness from 0.5" - 1.5".

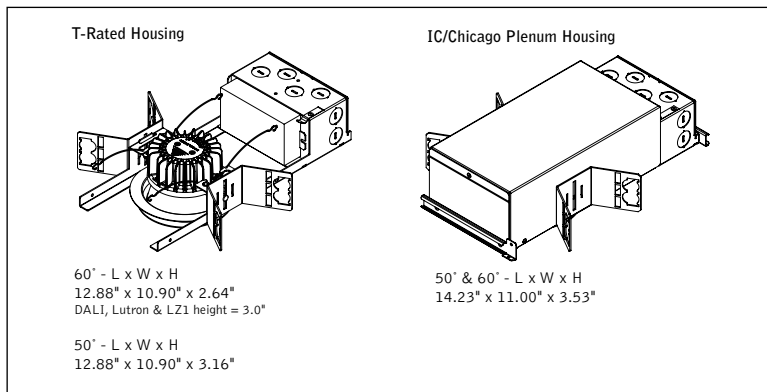
50° cut-off and 60° cut-off reflector options available.

Selection of dimming drivers available.

PERFORMANCE



HOUSING DETAILS



HOUSING SPECIFICATIONS

Construction

Thermally protected housing for new construction applications. Insulation to be kept 3" away from housing. Type IC inherently protected, suitable for direct contact with insulation. Restrictive airflow per ASTM-E283. Butterfly brackets allow mounting to ½ emt. Order bar hangers as an accessory. Die-cast aluminum heat sink designed for maximum thermal dissipation. Die-formed housing and integral junction box with (7) 1/2" pry outs. Accommodates ceiling thicknesses up to 0.5" standard, field adjustable up to 1.5" thickness. For thicker ceiling consult factory. Fixture will not exceed 5 lb.

Electrical

Choice of constant current dimming drivers. Power factor > .9 typical.

Emergency

Emergency Battery Pack: Bodine BSL17C-C2. Emergency output —7W for 90 minutes. Maximum mounting height: 21.4ft.

Labels

UL and cUL listed. Suitable for Dry, Damp or Wet Locations, indoor use only.

Lumen Maintenance

Reported: L70 at >55,000 hours Calculated: L70 at 420,000 hours
 L90 at >55,000 hours L90 at 109,000 hours

Derived from EPA TM-21 calculator. Based on typical conditions, consult factory for additional data.

Reliability

At Focal Point, our products are designed to stand the test of time. Each luminaire is engineered using superior components, manufactured with the utmost care and rigorously tested. Contact us for reliability data.

Warranty

LED System rated for operation in ambient environments up to 25°C. 5-year limited warranty.

TRIM & LED SPECIFICATIONS

LED System

Proprietary array incorporates premium LEDs on a robust platform. May be specified in 2700K, 3000K, 3500K or 4000K, CRI>80 or >90. Color accuracy within 2 SDCM. Aluminum heat sink provides appropriate thermal management.

Aesthetics

Parabolic reflector cone ensures glare free optics. Reflector is .050 spun aluminum. Trims are self-flanged. Non-painted trim matches reflector finish. Painted flange may also be specified.

Optics

50-degree or 60-degree cut-off to light source and its image.

PERFORMANCE CHART—SHORT 60° CUT-OFF

Delivered Lumens	System Watts	LPW
700	8	83
900	10	86
1100	13	87
1300	16	81
1500	19	78

Based on Trimless, 3500K, 80CRI, Wide Flood, Clear Diffuse. See page 3 for lumen performance multipliers. Lumen output may vary +/- 5%. Actual wattage may vary +/- 5%.

HOUSING ORDERING

Housing Series	FLC3D
ID+ 3.5" Round	FLC3D
Trim Type	RO
Round Overlap	RO
Lumen Output	
700 Lumen	700L
900 Lumen	900L
1100 Lumen	1100L
1300 Lumen	1300L
1500 Lumen	1500L
Voltage	
120V	120
277V	277
Control System & Dimming Level	
0-10V - 0% Dimming	LZ1
0-10V - 1% Dimming	L11
0-10V - 10% Dimming	LD1
Forward Phase	LFP
(120V only, 900 & 1300 Lumens only.)	
Lutron Hi-Lume EcoSystem (LDE1) - 1% Dimming	LH1
(700 & 1500 lumens not available.)	
Lutron 5-Series EcoSystem (LDE5) - 5% Dimming	LU5
(1300 Lumens only)	
Lutron Hi-Lume - Forward Phase - 1% Dimming	LTE
(120V only, 1500 lumens not available.)	
DALI - 0% Dimming	DZ1
DALI - 1% Dimming	D11
Housing Type	
IC Rated / Airtight	IC
(Available options: L11 & LD1: 700, 900 & 1100 Lumens. LFP: 900 & 1300 Lumens.)	
Thermally Protected, Non-IC	T
(Housing height = 3.0" for LZ1, L3D, LH1, LTE, LU5, D11 & DZ1)	
Factory Options	
Bar Hangers	BH
Chicago Plenum	CP
Emergency Battery with Remote test switch	EMR
(T-rated housing only. Not available with CP or AT. Above Ceiling Access.)	
TRIM & LED MODULE	
Aperture	LC3
3.5" Round Reflector	LC3
Trim Type	RO
Round Overlap	RO
Lumen Output	
(Trim & housing output must match)	
700 Lumen	700L
900 Lumen	900L
1100 Lumen	1100L
1300 Lumen	1300L
1500 Lumen	1500L
Color Temperature	
2700K, 80+ CRI	27K
2700K, 90+ CRI	927K
3000K, 80+ CRI	30K
3000K, 90+ CRI	930K
3500K, 80+ CRI	35K
3500K, 90+ CRI	935K
4000K, 80+ CRI	40K
4000K, 90+ CRI	940K
Optic	
Tall Cone with 50° cut-off	DNT
Short Cone with 60° cut-off	DNS
Distribution	
Narrow Flood	NFL
Flood	FL
Wide Flood	WFL
Color	
Clear Diffuse	CD
Warm Diffuse	WD
Black	BK
(Black painted flange only)	
White	WH
(White painted flange only)	
Flange Finish	
Non-Painted	NP
(Clear and warm diffuse only)	
Black Painted	BP
White Painted	WP



Options in orange qualify for the Quickship program. 5-day up to 100 pieces. Refer to Quickship Guide for complete details.

LUMEN PERFORMANCE MULTIPLIER CHART - ROUND DOWNLIGHT

Option	Description	Ordering Code	Multiplier
Trim Type	Round Trimless	RT	1.01
	Round Overlap	RO	0.98
Color Temperature	2700K, 80+ CRI	27K	0.93
	2700K, 90+ CRI	927K	0.75
	3000K, 80+ CRI	30K	1.00
	3000K, 90+ CRI	930K	0.81
	3500K, 80+ CRI	35K	1.00
	3500K, 90+ CRI	935K	0.87
	4000K, 80+ CRI	40K	1.00
	4000K, 90+ CRI	940K	0.87
Optic	Tall Cone with 50° cut-off	DNT	0.94
	Short Cone with 60° cut-off	DNS	1.00
Distribution	Narrow Flood	NFL	1.04
	Flood	FL	1.00
	Wide Flood	WFL	1.00
Color	Clear Diffuse	CD	1.00
	Warm Diffuse	WD	0.94
	White	WH	1.13
	Black	BK	0.56

ID+ 3.5"

LED DOWNLIGHT

FLC3D-RO-1100L-120-L11-T/LC3-RO-1100L-35K-DNS-WFL-CD

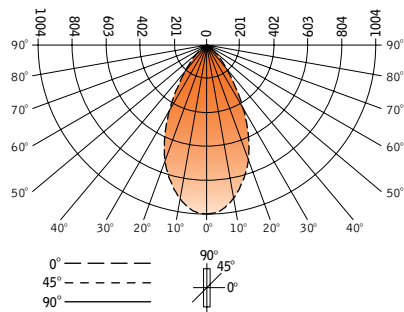
Filename: FLC3DRO1100LRO27KDNSWFLCD.IES

Lumens: 1004lm

System Watts: 11W

LPW: 88

CANDLEPOWER DISTRIBUTION



Vertical Angle	Horizontal Angle	Zonal Lumens
0°	0°	
0°	1096	
5°	1075	101
15°	912	254
25°	644	292
35°	325	205
45°	133	104
55°	43	39
65°	5	7
75°	1	1
85°	0	0
90°	0	0

LUMEN SUMMARY

Zone	Lumens	% Fixture
0-30°	647	64.5
0-40°	852	84.9
0-60°	996	99.2
0-90°	1004	100.0
Total Luminaire	0-180°	1004 100.0

LUMINANCE DATA (CD/M²)

Vertical Angle	Horizontal 0°
45°	30146
55°	11952
65°	1776
75°	757
85°	374

CO-EFFICIENTS OF UTILIZATION

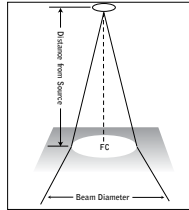
Floor Ceiling Wall	80				70			20 50		30		10		00
	70	50	30	10	70	50	10	50	10	50	10	50	10	00
RCR 0	119	119	119	119	116	116	116	111	111	106	106	102	102	100
1	113	110	108	105	111	108	104	104	100	100	97	97	95	93
2	107	102	98	94	105	100	93	97	91	94	89	91	87	85
3	101	94	89	85	99	93	84	90	83	88	82	86	80	79
4	96	88	82	77	94	87	77	84	76	82	75	80	74	73
5	90	82	75	71	89	81	71	79	70	77	69	76	69	67
6	86	76	70	65	84	75	65	74	65	72	64	71	64	62
7	81	71	65	61	80	71	60	69	60	68	60	67	59	58
8	77	67	61	56	76	66	56	65	56	64	56	63	55	54
9	73	63	57	53	72	62	53	61	52	61	52	60	52	51
10	70	59	53	49	69	59	49	57	49	57	49	57	49	47

Numbers indicate percentage values of reflectivity.

FOOTCANDLE VALUES

0° aiming angle - horizontal surface

Distance from source	Beam Diameter	Center Beam (FC)
4'	4.3'	68
6'	6.4'	30
8'	8.5'	17
10'	10.6'	11



Footcandle results based on AGI32; Reflectances=0/0/0; LLF=1

Go to www.focalpointlights.com for additional photometric data.