

ID+ 3.5"

LED WALL WASH



FOCAL POINT®



clear diffuse



warm diffuse



white painted flange



black painted

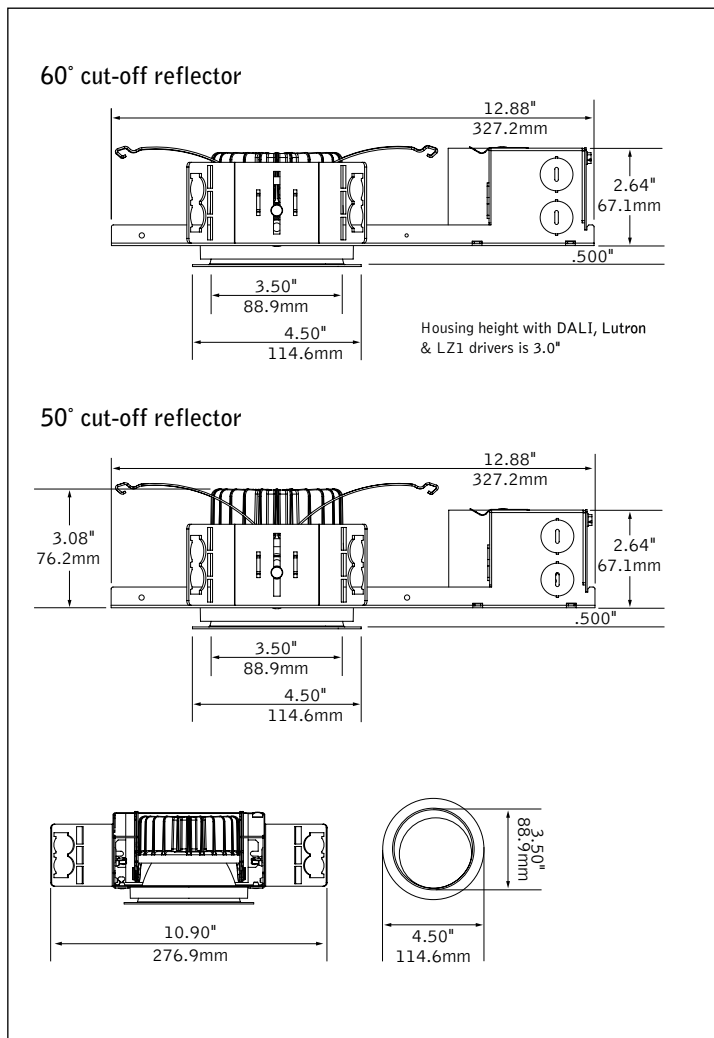


white painted



trimless companion

DIMENSIONAL DATA



FEATURES

Less than 2.64" low profile housing available.

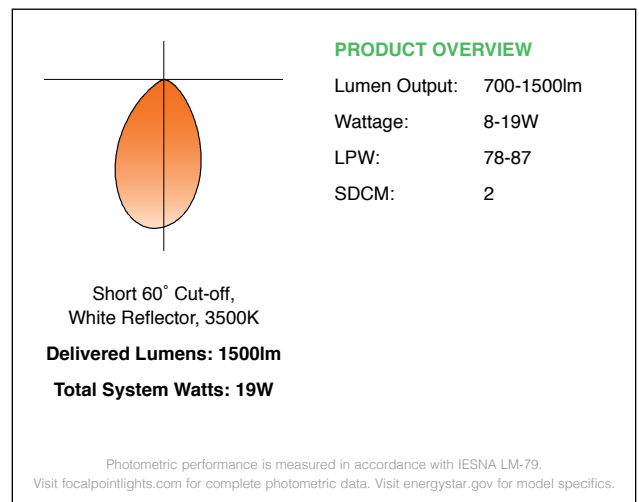
ChromaSure: Color consistency resulting in a 2-step MacAdam ellipse across the entire ID+ product line.

Field adjustability of ceiling thickness from 0.5" - 1.5".

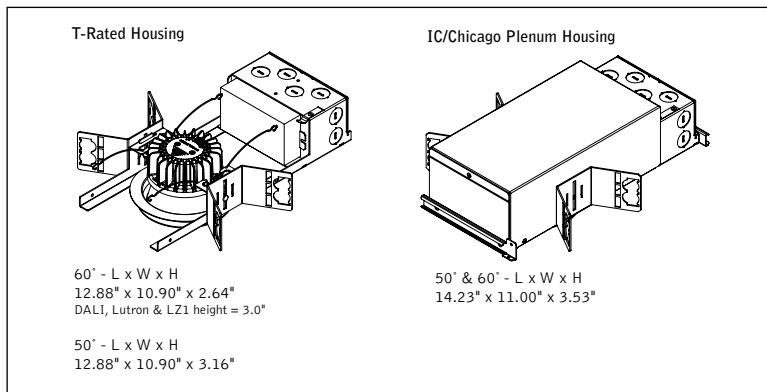
50° cut-off and 60° cut-off reflector options available.

Selection of dimming drivers available.

PERFORMANCE



HOUSING DETAILS



HOUSING SPECIFICATIONS

Construction

Thermally protected housing for new construction applications. Insulation to be kept 3" away from housing. Type IC inherently protected, suitable for direct contact with insulation. Restrictive airflow per ASTM-E283. Butterfly brackets allow mounting to 1/2 emt. Order bar hangers as an accessory. Die-cast aluminum heat sink designed for maximum thermal dissipation. Die-formed housing and integral junction box with (7) 1/2" pry outs. Accommodates ceiling thicknesses up to 0.5" standard, field adjustable up to 1.5" thickness. For thicker ceiling consult factory. Fixture will not exceed 5 lb.

Electrical

Choice of constant current dimming drivers. Power factor > .9 typical.

Labels

UL and cUL listed. Suitable for Dry, Damp or Wet Locations, indoor use only.

Lumen Maintenance

Reported: L70 at >55,000 hours Calculated: L70 at 420,000 hours
 L90 at >55,000 hours L90 at 109,000 hours
 Derived from EPA TM-21 calculator. Based on typical conditions, consult factory for additional data.

Reliability

At Focal Point, our products are designed to stand the test of time. Each luminaire is engineered using superior components, manufactured with the utmost care and rigorously tested. Contact us for reliability data.

Warranty

LED System rated for operation in ambient environments up to 25°C. 5-year limited warranty.

TRIM & LED SPECIFICATIONS

LED System

Proprietary array incorporates premium LEDs on a robust platform. May be specified in 2700K, 3000K, 3500K or 4000K, CRI>80 or >90. Color accuracy within 2 SDCM. Aluminum heat sink provides appropriate thermal management.

Aesthetics

Parabolic reflector cone ensures glare free optics. Reflector is .050 spun aluminum. Overlap trims are self-flanged. Non-painted trim matches reflector finish. Painted flange may also be specified.

Optics

50-degree or 60-degree cut-off to light source and its image. Wall wash features acrylic diffuser to provide smooth illumination down the wall.

PERFORMANCE CHART—SHORT 60° CUT-OFF

| Delivered Lumens | System Watts | LPW |
|------------------|--------------|-----|
| 700 | 8 | 83 |
| 900 | 10 | 86 |
| 1100 | 13 | 87 |
| 1300 | 16 | 81 |
| 1500 | 19 | 78 |

Based on Trimless, 3500K, 80CRI, Wide Flood, Clear Diffuse. See page 3 for lumen performance multipliers. Lumen output may vary +/- 5%. Actual wattage may vary +/- 5%.

HOUSING ORDERING

| | |
|---------------------------------------------------------------------------------|--------------|
| Housing Series | FLC3W |
| ID+ 3.5" Round | FLC3W |
| Trim Type | RO |
| Round Overlap | RO |
| Lumen Output | |
| 700 Lumen | 700L |
| 900 Lumen | 900L |
| 1100 Lumen | 1100L |
| 1300 Lumen | 1300L |
| 1500 Lumen | 1500L |
| Voltage | |
| 120V | 120 |
| 277V | 277 |
| Control System & Dimming Level | |
| 0-10V - 0% Dimming | LZ1 |
| 0-10V - 1% Dimming | L11 |
| 0-10V - 10% Dimming | LD1 |
| Forward Phase | LFP |
| (120V only, 900 & 1300 Lumens only.) | |
| Lutron Hi-Lume EcoSystem (LDE1) - 1% Dimming | LH1 |
| (700 & 1500 lumens not available.) | |
| Lutron 5-Series EcoSystem (LDE5) - 5% Dimming | LU5 |
| (1300 Lumens only) | |
| Lutron Hi-Lume - Forward Phase - 1% Dimming | LTE |
| (120V only, 1500 lumens not available.) | |
| DALI - 0% Dimming | DZ1 |
| DALI - 1% Dimming | D11 |
| Housing Type | |
| IC Rated / Airtight IC | IC |
| (Available options: L11 & LD1: 700, 900 & 1100 Lumens. LFP: 900 & 1300 Lumens.) | |
| Thermally Protected, Non-IC T | T |
| (Housing height = 3.0" for LZ1, L3D, LH1, LTE, LU5, D11 & DZ1) | |
| Factory Options | |
| Bar Hangers | BH |
| Chicago Plenum | CP |
| TRIM & LED MODULE | |
| Aperture | LC3 |
| 3.5" Round Reflector | LC3 |
| Trim Type | RO |
| Round Overlap | RO |
| Lumen Output | |
| (Trim & housing output must match) | |
| 700 Lumen | 700L |
| 900 Lumen | 900L |
| 1100 Lumen | 1100L |
| 1300 Lumen | 1300L |
| 1500 Lumen | 1500L |
| Color Temperature | |
| 2700K, 80+ CRI | 27K |
| 2700K, 90+ CRI | 927K |
| 3000K, 80+ CRI | 30K |
| 3000K, 90+ CRI | 930K |
| 3500K, 80+ CRI | 35K |
| 3500K, 90+ CRI | 935K |
| 4000K, 80+ CRI | 40K |
| 4000K, 90+ CRI | 940K |
| Optic | |
| Tall Cone with 50° cut-off | WWT |
| Short Cone with 60° cut-off | WWS |
| Color | |
| Clear Diffuse | CD |
| Warm Diffuse | WD |
| Black | BK |
| (Black painted flange only) | |
| White | WH |
| (White painted flange only) | |
| Flange Finish | |
| Non-Painted | NP |
| (Clear and warm diffuse only) | |
| Black Painted | BP |
| White Painted | WP |



Options in orange qualify for the Quickship program. 5-day up to 30 pieces. Refer to Quickship Guide for complete details.

LUMEN PERFORMANCE MULTIPLIER CHART - ROUND WALL WASH

| Option | Description | Ordering Code | Multiplier |
|-------------------|-----------------------------|---------------|------------|
| Trim Type | Round Trimless | RT | 0.92 |
| | Round Overlap | RO | 0.89 |
| Color Temperature | 2700K, 80+ CRI | 27K | 0.93 |
| | 2700K, 90+ CRI | 927K | 0.75 |
| | 3000K, 80+ CRI | 30K | 1.00 |
| | 3000K, 90+ CRI | 930K | 0.81 |
| | 3500K, 80+ CRI | 35K | 1.00 |
| | 3500K, 90+ CRI | 935K | 0.87 |
| | 4000K, 80+ CRI | 40K | 1.00 |
| | 4000K, 90+ CRI | 940K | 0.87 |
| Optic | Tall Cone with 50° cut-off | WWT | 0.99 |
| | Short Cone with 60° cut-off | WWS | 1.00 |
| Color | Clear Diffuse | CD | 1.00 |
| | Warm Diffuse | WD | 0.94 |
| | White | WH | 1.13 |
| | Black | BK | 0.56 |

ID+ 3.5"

LED WALL WASH

FLC3W-RT-1300L-120-L11-T/LC3-RT-1300L-35K-WWS-WH

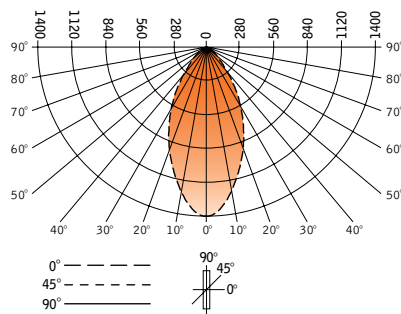
Filename: FLC3WRT1300LRT35KWWSWH.IES

Lumens: 1400lm

System Watts: 16W

LPW: 88

CANDLEPOWER DISTRIBUTION



| Vertical Angle | Horizontal Angle | | | | Zonal Lumens |
|----------------|------------------|-------|------|-------|--------------|
| | 0° | 22.5° | 45° | 67.5° | |
| 0° | 1267 | 1267 | 1267 | 1267 | 1267 |
| 5° | 1248 | 1237 | 1229 | 1222 | 1218 |
| 15° | 1077 | 1042 | 1002 | 968 | 953 |
| 25° | 863 | 811 | 746 | 687 | 660 |
| 35° | 623 | 569 | 491 | 416 | 383 |
| 45° | 399 | 348 | 269 | 195 | 166 |
| 55° | 203 | 176 | 133 | 97 | 78 |
| 65° | 101 | 91 | 71 | 48 | 32 |
| 75° | 52 | 45 | 33 | 18 | 9 |
| 85° | 19 | 15 | 8 | 2 | 0 |
| 90° | 3 | 1 | 0 | 0 | 0 |

LUMEN SUMMARY

| Zone | Lumens | % Fixture |
|------------------------|---------------|-------------|
| 0-30° | 732 | 52.3 |
| 0-40° | 1031 | 73.7 |
| 0-60° | 1332 | 95.2 |
| 0-90° | 1400 | 100.0 |
| Total Luminaire | 0-180° | 1400 |

LUMINANCE DATA (CD/M²)

| Vertical Angle | Horizontal | | |
|----------------|------------|-------|-------|
| | 0° | 45° | 90° |
| 45° | 78866 | 53087 | 32890 |
| 55° | 49410 | 32409 | 19078 |
| 65° | 33399 | 23533 | 10587 |
| 75° | 27830 | 17768 | 4656 |
| 85° | 30832 | 12237 | 476 |

CO-EFFICIENTS OF UTILIZATION

| Floor Ceiling Wall | 80 | | | | 70 | | | | 50 | | | | 30 | | | | 10 | | | | 00 | | | |
|--------------------|-----|-----|-----|-----|-----|-----|-----|-----|-----|-----|-----|-----|-----|-----|-----|-----|-----|-----|-----|-----|-----|-----|----|--|
| | 70 | 50 | 30 | 10 | 70 | 50 | 10 | 50 | 10 | 50 | 10 | 50 | 10 | 50 | 10 | 50 | 10 | 50 | 10 | 50 | 10 | 50 | 10 | |
| RCR 0 | 119 | 119 | 119 | 119 | 116 | 116 | 116 | 111 | 111 | 106 | 106 | 102 | 102 | 102 | 102 | 100 | 100 | 100 | 100 | 100 | 100 | 100 | | |
| 1 | 112 | 109 | 106 | 103 | 110 | 107 | 101 | 102 | 98 | 99 | 95 | 95 | 93 | 91 | 91 | 91 | 91 | 91 | 91 | 91 | 91 | 91 | | |
| 2 | 105 | 99 | 94 | 90 | 103 | 97 | 89 | 94 | 87 | 91 | 85 | 88 | 83 | 82 | 82 | 82 | 82 | 82 | 82 | 82 | 82 | 82 | | |
| 3 | 98 | 91 | 85 | 80 | 96 | 89 | 79 | 86 | 78 | 84 | 77 | 82 | 75 | 74 | 74 | 74 | 74 | 74 | 74 | 74 | 74 | 74 | | |
| 4 | 92 | 83 | 76 | 71 | 90 | 82 | 71 | 80 | 70 | 78 | 69 | 76 | 68 | 67 | 67 | 67 | 67 | 67 | 67 | 67 | 67 | 67 | | |
| 5 | 87 | 77 | 70 | 64 | 85 | 76 | 64 | 74 | 64 | 72 | 63 | 70 | 62 | 61 | 61 | 61 | 61 | 61 | 61 | 61 | 61 | 61 | | |
| 6 | 81 | 71 | 64 | 59 | 80 | 70 | 58 | 68 | 58 | 67 | 58 | 65 | 57 | 55 | 55 | 55 | 55 | 55 | 55 | 55 | 55 | 55 | | |
| 7 | 77 | 66 | 59 | 54 | 75 | 65 | 54 | 64 | 53 | 62 | 53 | 61 | 53 | 51 | 51 | 51 | 51 | 51 | 51 | 51 | 51 | 51 | | |
| 8 | 72 | 61 | 54 | 49 | 71 | 61 | 49 | 59 | 49 | 58 | 49 | 57 | 49 | 47 | 47 | 47 | 47 | 47 | 47 | 47 | 47 | 47 | | |
| 9 | 68 | 57 | 50 | 46 | 67 | 57 | 46 | 56 | 46 | 55 | 45 | 54 | 45 | 44 | 44 | 44 | 44 | 44 | 44 | 44 | 44 | 44 | | |
| 10 | 65 | 54 | 47 | 43 | 64 | 53 | 43 | 52 | 42 | 51 | 42 | 51 | 42 | 41 | 41 | 41 | 41 | 41 | 41 | 41 | 41 | 41 | | |

Go to www.focalpointlights.com for additional photometric data.

Numbers indicate percentage values of reflectivity.

ID+ 3.5"

LED WALL WASH

FLC3W-RT-1300L-120-L11-T/LC3-RT-1300L-35K-WWT-CD

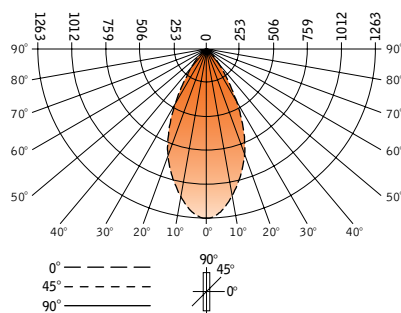
Filename: FLC3WRT1300LRT35KWWTCD.IES

Lumens: 1263lm

System Watts: 14W

LPW: 88

CANDLEPOWER DISTRIBUTION



| Vertical Angle | Horizontal Angle | | | | Zonal Lumens |
|----------------|------------------|-------|------|-------|--------------|
| | 0° | 22.5° | 45° | 67.5° | |
| 0° | 1679 | 1679 | 1679 | 1679 | 1679 |
| 5° | 1623 | 1623 | 1623 | 1623 | 1623 |
| 15° | 1307 | 1307 | 1307 | 1307 | 1307 |
| 25° | 871 | 871 | 871 | 871 | 871 |
| 35° | 367 | 367 | 367 | 367 | 367 |
| 45° | 117 | 117 | 117 | 117 | 117 |
| 55° | 18 | 18 | 18 | 18 | 18 |
| 65° | 4 | 4 | 4 | 4 | 4 |
| 75° | 1 | 1 | 1 | 1 | 1 |
| 85° | 0 | 0 | 0 | 0 | 0 |
| 90° | 0 | 0 | 0 | 0 | 0 |

LUMEN SUMMARY

| Zone | Lumens | % Fixture |
|------------------------|---------------|-------------|
| 0-30° | 908 | 71.9 |
| 0-40° | 1143 | 90.6 |
| 0-60° | 1256 | 99.5 |
| 0-90° | 1263 | 100.00 |
| Total Luminaire | 0-180° | 1263 |

LUMINANCE DATA (CD/M²)

| Vertical Angle | Horizontal | | |
|----------------|------------|-------|-------|
| | 0° | 45° | 90° |
| 45° | 20357 | 20357 | 20357 |
| 55° | 3833 | 3833 | 3833 |
| 65° | 1230 | 1230 | 1230 |
| 75° | 628 | 628 | 628 |
| 85° | 373 | 373 | 373 |

CO-EFFICIENTS OF UTILIZATION

| Floor Ceiling Wall | 80 | | | | 70 | | | | 50 | | | | 30 | | | | 10 | | | | 00 | | | |
|--------------------|-----|-----|-----|-----|-----|-----|-----|-----|-----|-----|----|----|----|----|----|----|----|----|----|----|----|----|----|--|
| | 70 | 50 | 30 | 10 | 70 | 50 | 10 | 50 | 10 | 50 | 10 | 50 | 10 | 50 | 10 | 50 | 10 | 50 | 10 | 50 | 10 | 50 | 10 | |
| RCR 0 | 114 | 111 | 108 | 106 | 111 | 109 | 104 | 105 | 101 | 101 | 98 | 97 | 95 | 94 | 94 | 94 | 94 | 94 | 94 | 94 | 94 | 94 | | |
| 1 | 108 | 103 | 99 | 96 | 106 | 101 | 95 | 98 | 93 | 95 | 91 | 92 | 89 | 87 | 87 | 87 | 87 | 87 | 87 | 87 | 87 | 87 | | |
| 2 | 103 | 96 | 91 | 87 | 101 | 95 | 87 | 92 | 85 | 90 | 84 | 88 | 83 | 81 | 81 | 81 | 81 | 81 | 81 | 81 | 81 | 81 | | |
| 3 | 97 | 90 | 84 | 80 | 96 | 89 | 80 | 87 | 79 | 85 | 78 | 83 | 77 | 76 | 76 | 76 | 76 | 76 | 76 | 76 | 76 | 76 | | |
| 4 | 93 | 84 | 79 | 74 | 91 | 83 | 74 | 82 | 73 | 80 | 73 | 78 | 72 | 71 | 71 | 71 | 71 | 71 | 71 | 71 | 71 | 71 | | |
| 5 | 88 | 79 | 73 | 69 | 87 | 78 | 69 | 77 | 68 | 75 | 68 | 74 | 67 | 66 | 66 | 66 | 66 | 66 | 66 | 66 | 66 | 66 | | |
| 6 | 84 | 75 | 69 | 64 | 82 | 74 | 64 | 73 | 64 | 71 | 64 | 70 | 63 | 62 | 62 | 62 | 62 | 62 | 62 | 62 | 62 | 62 | | |
| 7 | 80 | 70 | 64 | 60 | 79 | 70 | 60 | 69 | 60 | 68 | 60 | 67 | 59 | 58 | 58 | 58 | 58 | 58 | 58 | 58 | 58 | 58 | | |
| 8 | 76 | 67 | 61 | 57 | 75 | 66 | 57 | 65 | 56 | 64 | 56 | 63 | 56 | 55 | 55 | 55 | 55 | 55 | 55 | 55 | 55 | 55 | | |
| 9 | 73 | 63 | 57 | 53 | 72 | 63 | 53 | 62 | 53 | 61 | 53 | 60 | 53 | 52 | 52 | 52 | 52 | 52 | 52 | 52 | 52 | 52 | | |

Go to www.focalpointlights.com for additional photometric data.

Numbers indicate percentage values of reflectivity.