

# ID+ 3.5"

LED WALL WASH



FOCAL POINT®



clear diffuse



warm diffuse



white painted flange



black painted

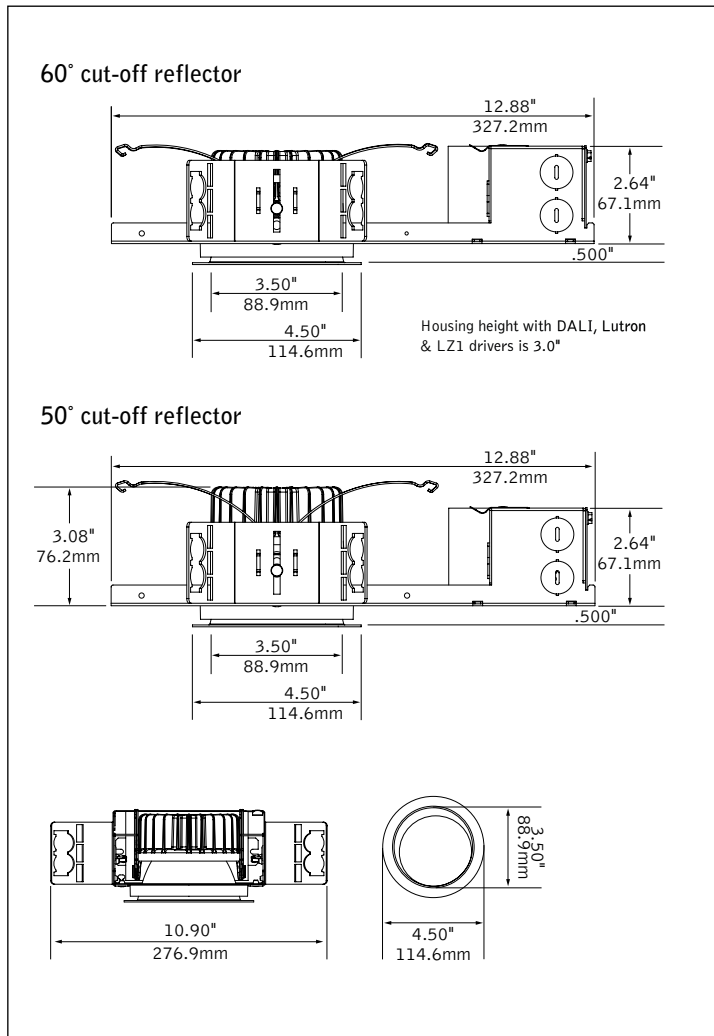


white painted



trimless companion

## DIMENSIONAL DATA



## FEATURES

Less than 2.64" low profile housing available.

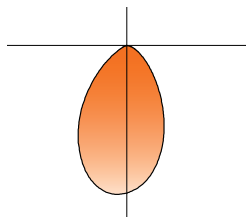
ChromaSure: Color consistency resulting in a 2-step MacAdam ellipse across the entire ID+ product line.

Field adjustability of ceiling thickness from 0.5" - 1.5".

50° cut-off and 60° cut-off reflector options available.

Selection of dimming drivers available.

## PERFORMANCE



**PRODUCT OVERVIEW**

Lumen Output: 700-1500lm

Wattage: 8-19W

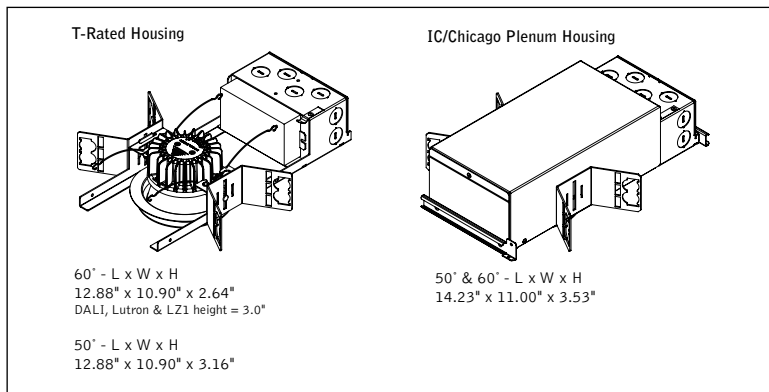
LPW: 78-87

SDCM: 2

Short 60° Cut-off,  
 White Reflector, 3500K  
**Delivered Lumens: 1500lm**  
**Total System Watts: 19W**

Photometric performance is measured in accordance with IESNA LM-79.  
 Visit focalpointlights.com for complete photometric data. Visit energystar.gov for model specifics.

**HOUSING DETAILS**



**HOUSING SPECIFICATIONS**

**Construction**

Thermally protected housing for new construction applications. Insulation to be kept 3" away from housing. Type IC inherently protected, suitable for direct contact with insulation. Restrictive airflow per ASTM-E283. Butterfly brackets allow mounting to 1/2 emt. Order bar hangers as an accessory. Die-cast aluminum heat sink designed for maximum thermal dissipation. Die-formed housing and integral junction box with (7) 1/2" pry outs. Accommodates ceiling thicknesses up to 0.5" standard, field adjustable up to 1.5" thickness. For thicker ceiling consult factory. Fixture will not exceed 5 lb.

**Electrical**

Choice of constant current dimming drivers. Power factor > .9 typical.

**Labels**

UL and cUL listed. Suitable for Dry, Damp or Wet Locations, indoor use only.

**Lumen Maintenance**

Reported: L70 at >55,000 hours      Calculated: L70 at 420,000 hours  
 L90 at >55,000 hours                      L90 at 109,000 hours  
 Derived from EPA TM-21 calculator. Based on typical conditions, consult factory for additional data.

**Reliability**

At Focal Point, our products are designed to stand the test of time. Each luminaire is engineered using superior components, manufactured with the utmost care and rigorously tested. Contact us for reliability data.

**Warranty**

LED System rated for operation in ambient environments up to 25°C. 5-year limited warranty.

**TRIM & LED SPECIFICATIONS**

**LED System**

Proprietary array incorporates premium LEDs on a robust platform. May be specified in 2700K, 3000K, 3500K or 4000K, CRI>80 or >90. Color accuracy within 2 SDCM. Aluminum heat sink provides appropriate thermal management.

**Aesthetics**

Parabolic reflector cone ensures glare free optics. Reflector is .050 spun aluminum. Overlap trims are self-flanged. Non-painted trim matches reflector finish. Painted flange may also be specified.

**Optics**

50-degree or 60-degree cut-off to light source and its image. Wall wash features acrylic diffuser to provide smooth illumination down the wall.

**PERFORMANCE CHART—SHORT 60° CUT-OFF**

Delivered Lumens	System Watts	LPW
700	8	83
900	10	86
1100	13	87
1300	16	81
1500	19	78

Based on Trimless, 3500K, 80CRI, Wide Flood, Clear Diffuse. See page 3 for lumen performance multipliers. Lumen output may vary +/- 5%. Actual wattage may vary +/- 5%.

**HOUSING ORDERING**

<b>Housing Series</b>	<b>FLC3W</b>
ID+ 3.5" Round	FLC3W
<b>Trim Type</b>	<b>RO</b>
Round Overlap	RO
<b>Lumen Output</b>	
700 Lumen	700L
900 Lumen	900L
1100 Lumen	1100L
1300 Lumen	1300L
1500 Lumen	1500L
<b>Voltage</b>	
120V	120
277V	277
<b>Control System &amp; Dimming Level</b>	
0-10V - 0% Dimming	LZ1
0-10V - 1% Dimming	L11
0-10V - 10% Dimming	LD1
<b>Forward Phase</b>	LFP
(120V only, 900 & 1300 Lumens only.)	
Lutron Hi-Lume EcoSystem (LDE1) -	
1% Dimming	LH1
(700 & 1500 lumens not available.)	
Lutron 5-Series EcoSystem (LDE5) -	
5% Dimming	LU5
(1300 Lumens only)	
Lutron Hi-Lume - Forward Phase -	
1% Dimming	LTE
(120V only, 1500 lumens not available.)	
DALI - 0% Dimming	DZ1
DALI - 1% Dimming	D11
<b>Housing Type</b>	
IC Rated / Airtight	IC
(Available options: L11 & LD1: 700, 900 & 1100 Lumens. LFP: 900 & 1300 Lumens.)	
Thermally Protected, Non-IC	T
(Housing height = 3.0" for LZ1, L3D, LH1, LTE, LU5, D11 & DZ1)	
<b>Factory Options</b>	
Bar Hangers	BH
Chicago Plenum	CP
<b>TRIM &amp; LED MODULE</b>	
<b>Aperture</b>	<b>LC3</b>
3.5" Round Reflector	LC3
<b>Trim Type</b>	<b>RO</b>
Round Overlap	RO
<b>Lumen Output</b>	
(Trim & housing output must match)	
700 Lumen	700L
900 Lumen	900L
1100 Lumen	1100L
1300 Lumen	1300L
1500 Lumen	1500L
<b>Color Temperature</b>	
2700K, 80+ CRI	27K
2700K, 90+ CRI	927K
3000K, 80+ CRI	30K
3000K, 90+ CRI	930K
3500K, 80+ CRI	35K
3500K, 90+ CRI	935K
4000K, 80+ CRI	40K
4000K, 90+ CRI	940K
<b>Optic</b>	
Tall Cone with 50° cut-off	WWT
Short Cone with 60° cut-off	WWS
<b>Color</b>	
Clear Diffuse	CD
Warm Diffuse	WD
Black	BK
(Black painted flange only)	
White	WH
(White painted flange only)	
<b>Flange Finish</b>	
Non-Painted	NP
(Clear and warm diffuse only)	
Black Painted	BP
White Painted	WP



Options in orange qualify for the Quickship program. 5-day up to 30 pieces. Refer to Quickship Guide for complete details.

**LUMEN PERFORMANCE MULTIPLIER CHART - ROUND WALL WASH**

Option	Description	Ordering Code	Multiplier
Trim Type	Round Trimless	RT	0.92
	Round Overlap	RO	0.89
Color Temperature	2700K, 80+ CRI	27K	0.93
	2700K, 90+ CRI	927K	0.75
	3000K, 80+ CRI	30K	1.00
	3000K, 90+ CRI	930K	0.81
	3500K, 80+ CRI	35K	1.00
	3500K, 90+ CRI	935K	0.87
	4000K, 80+ CRI	40K	1.00
	4000K, 90+ CRI	940K	0.87
Optic	Tall Cone with 50° cut-off	WWT	0.99
	Short Cone with 60° cut-off	WWS	1.00
Color	Clear Diffuse	CD	1.00
	Warm Diffuse	WD	0.94
	White	WH	1.13
	Black	BK	0.56

# ID+ 3.5"

LED WALL WASH

## FLC3W-RT-1300L-120-L11-T/LC3-RT-1300L-35K-WWS-WH

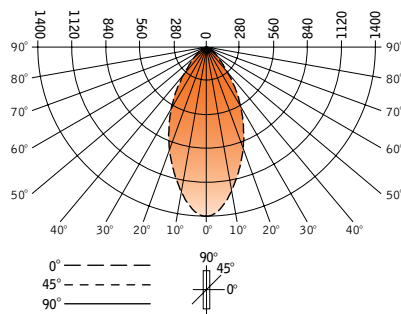
Filename: FLC3WRT1300LRT35KWWSWH.IES

Lumens: 1400lm

System Watts: 16W

LPW: 88

### CANDLEPOWER DISTRIBUTION



Vertical Angle	Horizontal Angle				Zonal Lumens
	0°	22.5°	45°	67.5°	
0°	1267	1267	1267	1267	1267
5°	1248	1237	1229	1222	1218
15°	1077	1042	1002	968	953
25°	863	811	746	687	660
35°	623	569	491	416	383
45°	399	348	269	195	166
55°	203	176	133	97	78
65°	101	91	71	48	32
75°	52	45	33	18	9
85°	19	15	8	2	0
90°	3	1	0	0	0

### LUMEN SUMMARY

Zone	Lumens	% Fixture
0-30°	732	52.3
0-40°	1031	73.7
0-60°	1332	95.2
0-90°	1400	100.0
<b>Total Luminaire</b>	<b>0-180°</b>	<b>1400</b>

### LUMINANCE DATA (CD/M²)

Vertical Angle	Horizontal		
	0°	45°	90°
45°	78866	53087	32890
55°	49410	32409	19078
65°	33399	23533	10587
75°	27830	17768	4656
85°	30832	12237	476

### CO-EFFICIENTS OF UTILIZATION

Floor Ceiling Wall	80				70				50				30				10				00			
	70	50	30	10	70	50	10	50	10	50	10	50	10	50	10	50	10	50	10	50	10	50	10	
RCR 0	119	119	119	119	116	116	116	111	111	106	106	102	102	102	102	100	100	100	100	100	100	100	100	
1	112	109	106	103	110	107	101	102	98	99	95	95	93	91	91	91	91	91	91	91	91	91	91	
2	105	99	94	90	103	97	89	94	87	91	85	88	83	82	82	82	82	82	82	82	82	82	82	
3	98	91	85	80	96	89	79	86	78	84	77	82	75	74	74	74	74	74	74	74	74	74	74	
4	92	83	76	71	90	82	71	80	70	78	69	76	68	67	67	67	67	67	67	67	67	67	67	
5	87	77	70	64	85	76	64	74	64	72	63	70	62	61	61	61	61	61	61	61	61	61	61	
6	81	71	64	59	80	70	58	68	58	67	58	65	57	55	55	55	55	55	55	55	55	55	55	
7	77	66	59	54	75	65	54	64	53	62	53	61	53	51	51	51	51	51	51	51	51	51	51	
8	72	61	54	49	71	61	49	59	49	58	49	57	49	47	47	47	47	47	47	47	47	47	47	
9	68	57	50	46	67	57	46	56	46	55	45	54	45	44	44	44	44	44	44	44	44	44	44	
10	65	54	47	43	64	53	43	52	42	51	42	51	42	41	41	41	41	41	41	41	41	41	41	

Go to [www.focalpointlights.com](http://www.focalpointlights.com) for additional photometric data.

Numbers indicate percentage values of reflectivity.

# ID+ 3.5"

LED WALL WASH

## FLC3W-RT-1300L-120-L11-T/LC3-RT-1300L-35K-WWT-CD

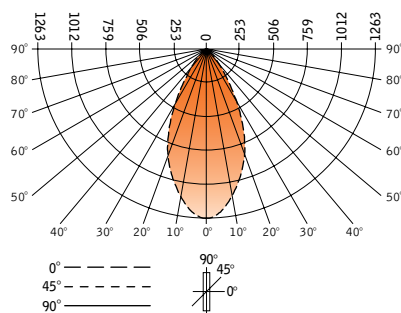
Filename: FLC3WRT1300LRT35KWWTCD.IES

Lumens: 1263lm

System Watts: 14W

LPW: 88

### CANDLEPOWER DISTRIBUTION



Vertical Angle	Horizontal Angle				Zonal Lumens
	0°	22.5°	45°	67.5°	
0°	1679	1679	1679	1679	1679
5°	1623	1623	1623	1623	1623
15°	1307	1307	1307	1307	1307
25°	871	871	871	871	871
35°	367	367	367	367	367
45°	117	117	117	117	117
55°	18	18	18	18	18
65°	4	4	4	4	4
75°	1	1	1	1	1
85°	0	0	0	0	0
90°	0	0	0	0	0

### LUMEN SUMMARY

Zone	Lumens	% Fixture
0-30°	908	71.9
0-40°	1143	90.6
0-60°	1256	99.5
0-90°	1263	100.00
<b>Total Luminaire</b>	<b>0-180°</b>	<b>1263</b>

### LUMINANCE DATA (CD/M²)

Vertical Angle	Horizontal		
	0°	45°	90°
45°	20357	20357	20357
55°	3833	3833	3833
65°	1230	1230	1230
75°	628	628	628
85°	373	373	373

### CO-EFFICIENTS OF UTILIZATION

Floor Ceiling Wall	80				70				50				30				10				00			
	70	50	30	10	70	50	10	50	10	50	10	50	10	50	10	50	10	50	10	50	10	50	10	
RCR 0	114	111	108	106	111	109	104	105	101	101	98	97	95	94	94	94	94	94	94	94	94	94	94	
1	108	103	99	96	106	101	95	98	93	95	91	92	89	87	87	87	87	87	87	87	87	87	87	
2	103	96	91	87	101	95	87	92	85	90	84	88	83	81	81	81	81	81	81	81	81	81	81	
3	97	90	84	80	96	89	80	87	79	85	78	83	77	76	76	76	76	76	76	76	76	76	76	
4	93	84	79	74	91	83	74	82	73	80	73	78	72	71	71	71	71	71	71	71	71	71	71	
5	88	79	73	69	87	78	69	77	68	75	68	74	67	66	66	66	66	66	66	66	66	66	66	
6	84	75	69	64	82	74	64	73	64	71	64	70	63	62	62	62	62	62	62	62	62	62	62	
7	80	70	64	60	79	70	60	69	60	68	60	67	59	58	58	58	58	58	58	58	58	58	58	
8	76	67	61	57	75	66	57	65	56	64	56	63	56	55	55	55	55	55	55	55	55	55	55	
9	73	63	57	53	72	63	53	62	53	61	53	60	53	52	52	52	52	52	52	52	52	52	52	

Go to [www.focalpointlights.com](http://www.focalpointlights.com) for additional photometric data.

Numbers indicate percentage values of reflectivity.