

ID+ 6" x 6"

LED WALL WASH



FOCAL POINT®



white flange



black flange



titanium silver flange

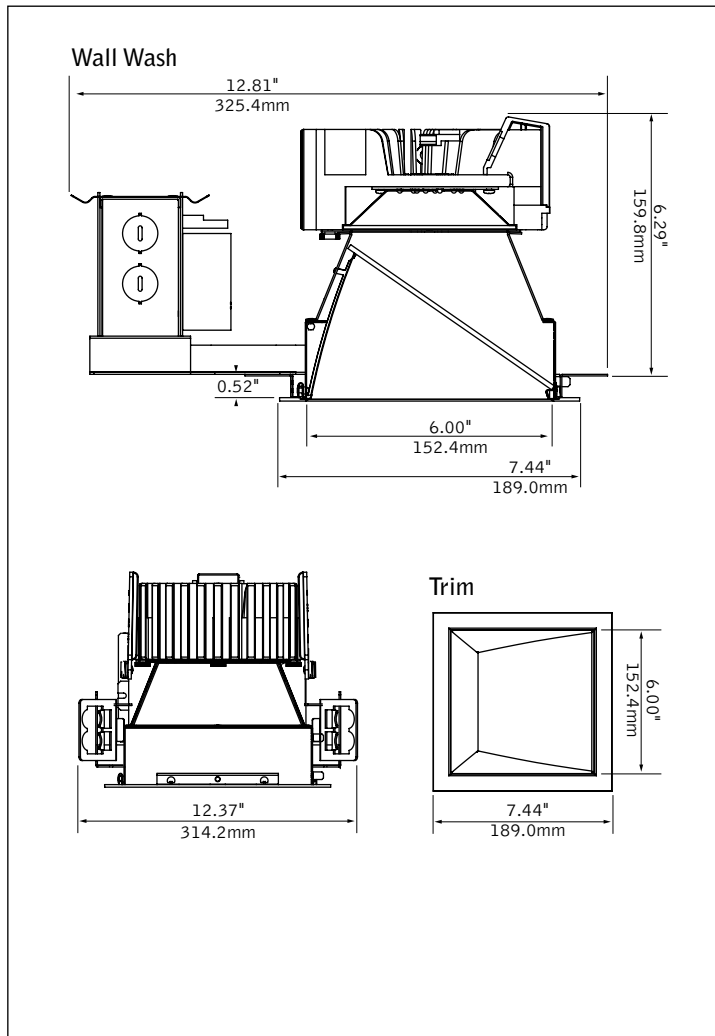


clear diffuse



warm diffuse

DIMENSIONAL DATA



FEATURES

ChromaSure: Color consistency resulting in a 2-step MacAdam ellipse across the entire ID+ product line.

Field adjustability of ceiling thickness from 0.5" - 2.5".

50° cutoff to light source and its image.

Selection of dimming drivers available.

Right Light: Standard delivered lumen outputs 500, 1000, 1500 and 2000.

PERFORMANCE

Clear Diffuse Reflector
3500k, 1500 Lumens

Delivered Lumens: 1500lm

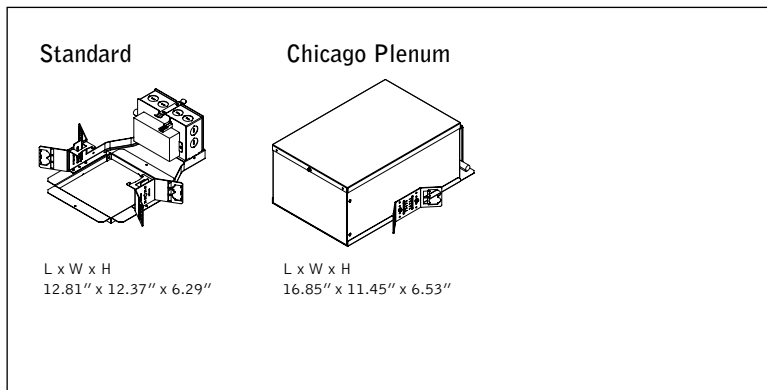
Total System Watts: 24W

PRODUCT OVERVIEW

Lumen Output:	500-2000lm
Wattage:	8-37W
LPW:	54-62
Spacing Criteria:	1.02
SDCM:	2
Lumen Maintenance:	L70 @ 63,000hrs

Photometric performance is measured in accordance with IESNA LM-79. Visit focalpointlights.com for complete photometric data.

HOUSING DETAILS



HOUSING SPECIFICATIONS

Construction

Thermally protected housing for new construction applications. Insulation to be kept 3" away from housing. Butterfly brackets allow mounting to 1/2 emt. Order bar hangers as an accessory. Die-cast aluminum heat sink designed for maximum thermal dissipation. Die-formed housing and integral junction box with (7) 1/2" pry outs. UL & cUL listed for (6) #14 AWG (3 in, 3 out) 90°C conductors and feed through-branch wiring. Accommodates ceiling thicknesses up to 0.5" standard, field adjustable up to 2.5" thickness. For thicker ceiling consult factory. Fixture will not exceed 5 lb.

Electrical

Choice of constant current dimming drivers. Power factor > .9 typical.

Labels

UL and cUL listed. Suitable for Dry or Damp Locations, indoor use only. Specify wet listed (WL) for recessed ceiling applications in indoor and outdoor locations. Lutron Drivers not recommended for outdoor environments below 0°C.

Lumen Maintenance

Reported: L70 at >63,000 hours
Derived from EPA TM-21 calculator

Reliability

At Focal Point, our products are designed to stand the test of time. Each luminaire is engineered using superior components, manufactured with the utmost care and rigorously tested. Contact us for reliability data.

Warranty

LED System rated for operation in ambient environments up to 25°C. 5-year limited warranty.

TRIM & LED SPECIFICATIONS

LED System

Proprietary array incorporates premium LEDs on a robust platform. May be specified in 2700K, 3000K, 3500K or 4000K, CRI>80. Color accuracy within 2 SDCM. Aluminum heat sink provides appropriate thermal management.

Aesthetics

Die-formed aluminum reflector ensures glare free optics. Reflector attaches to die-cast, seamless flange and may be removed for field painting. Torsion springs pull trim tight to the ceiling with no visible fasteners within the trim.

Optics

50-degree cut-off to light source and its image. Wall wash features acrylic diffuser to provide smooth illumination down the wall.

PERFORMANCE CHART

Delivered Lumens	System Watts	LPW
500**	8	60
1000	16	61
1500	24	62
2000	37	54

*Based on 3000/3500K. Clear Diffuse reflector cone. 80CRI Multipliers: 2700K: 0.94, 4000K: 0.1.06. 90CRI Multipliers: 2700K: 0.71, 3000/3500K: 0.83, 4000K: 0.89. Black Multiplier: 0.56. White Multiplier: 1.13. Lumen output may vary +/- 5%. Actual wattage may vary +/- 5%. **Lutron A-Series 1% EcoSystem Dimming (L3D) delivers 600lm at 11.0W.

HOUSING ORDERING

Housing Series	FLC66W
ID+ 6" Square Wall Wash	FLC66W
Trim Type	
Square Flush	SF
Square Overlap	SO
Lumen Output	
500 Lumens	500L
1000 Lumens	1000L
1500 Lumens	1500L
2000 Lumens	2000L
Voltage	
120V	120
277V**	277
Driver	
0-10V - 1% Dimming	L11
0-10V - 10% Dimming	LD1
Lutron A-Series - 1% EcoSystem Digital	L3D
<small>(Not available with 500L. Consult factory for 3-wire control)</small>	
Lutron H-Series - 1% Dimming	LH1
<small>(Not available with 500L)</small>	
Lutron 5-Series - 5% EcoSystem Digital	LU5
<small>(Available with 1000L only)</small>	
DALI - 1% Dimming	D11
<small>(Not available with 500L)</small>	
DMX - 3-Channel, 0% Dimming	MZ3
<small>(Not available with 500L)</small>	
Housing Type	T
Thermally Protected, Non-IC	T
Factory Options	
Bar Hangers	BH
Chicago Plenum / National Plenum	CP
TRIM & LED MODULE	
Aperture	LC66
6" Square Reflector	LC66
Trim Type	SQ
Square	SQ
Lumen Output	
<small>(Trim & Housing output must match)</small>	
500 Lumens	500L
1000 Lumens	1000L
1500 Lumens	1500L
2000 Lumens	2000L
Color Temperature	
2700K	27K
2700K, 90CRI	927K
3000K	30K
3000K, 90CRI	930K
3500K	35K
3500K, 90CRI	935K
4000K	40K
4000K, 90CRI	940K
Optic	WW
Wall Wash	WW
Color	
Clear Diffuse	CD
Warm Diffuse	WD
Flange Finish	
Black	BK
White	WH
Titanium Silver	TS
Aluminum Raw	AL
Factory Options	
Wet Listed	WL
<small>(Not available with 90CRI)</small>	

A complete unit consists of two line items, housing and trim
Example: FLC66W-SO-1500L-120-LD1-T | LC66-SQ-1500L-35K-WW-CD-WH

ID+ 6" x 6"

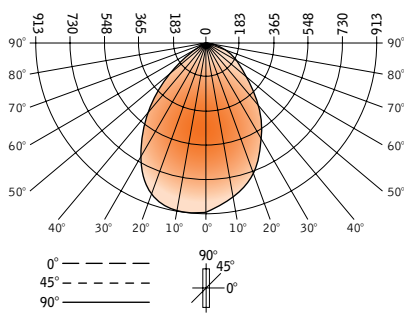
LED WALL WASH

FLC66W-SO-1500L-120-L11-T / LC66-RO-1500L-35K-WW-CD-NP

Filename: FLC66WSO1500L_35K_40K_WWCD.IES
 Test #: 1134958

Lumens: 1500lm
 System Watts: 24W
 LPW: 63

CANDLEPOWER DISTRIBUTION



Vertical Angle	Horizontal Angle				
	0°	45°	90°	135°	180°
0°	894	894	894	894	894
5°	867	874	890	905	913
15°	789	806	843	880	891
25°	664	692	706	771	787
35°	499	521	487	568	598
45°	340	341	284	328	371
55°	220	203	146	133	160
65°	137	115	58	31	41
75°	74	53	14	6	6
85°	19	9	2	2	1
90°	0	0	0	0	0

LUMEN SUMMARY

Zone	Lumens	% Fixture
0-30°	652	43.5
0-40°	982	65.5
0-60°	1388	92.5
0-90°	1500	100.0
Total Luminaire 0-180°	1500	100.0

Go to www.focalpointlights.com for additional photometric data.