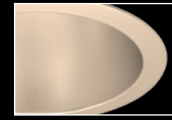


ID+ 6"

LED DOWNLIGHT



clear diffuse



warm diffuse



white painted flange

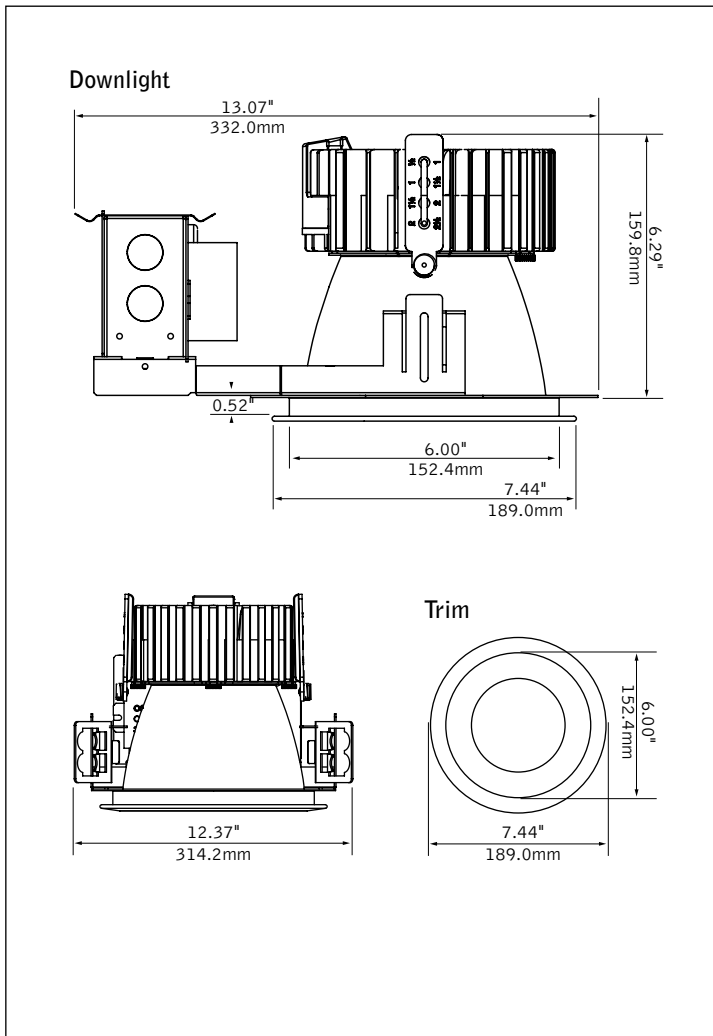


black reflector



white reflector

DIMENSIONAL DATA



FEATURES

ChromaSure: Color consistency resulting in a 2-step MacAdam ellipse across the entire ID+ product line.

Field adjustability of ceiling thickness from 0.5" - 2.5".

50° cutoff to light source and its image.

Selection of dimming drivers available.

Right Light: Standard delivered lumen outputs 1000, 1500, 2000, 2500 and 3000.

PERFORMANCE

Clear Diffuse Reflector
3500k, 2000 Lumens

Delivered Lumens: 2000lm

Total System Watts: 21W

PRODUCT OVERVIEW

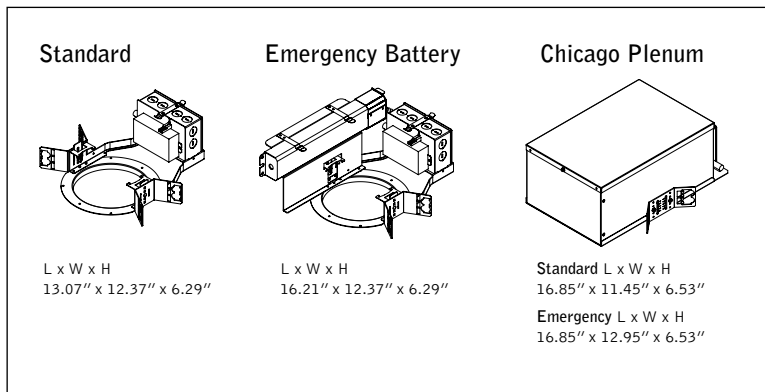
- Lumen Output: 1000-3000lm
- Wattage: 11-36W
- LPW: 83-94
- Spacing Criteria: 1.09
- SDCM: 2
- Lumen Maintenance: L70 @ 63,000hrs

Photometric performance is measured in accordance with IESNA LM-79. Visit focalpointlights.com for complete photometric data. Visit energystar.gov for model specifics.

fixture:

project:

HOUSING DETAILS



HOUSING SPECIFICATIONS

Construction

Thermally protected housing for new construction applications. Insulation to be kept 3" away from housing. Butterfly brackets allow mounting to 1/2 emt. Order bar hangers as an accessory. Die-cast aluminum heat sink designed for maximum thermal dissipation. Die-formed housing and integral junction box with (7) 1/2" pry outs. UL & cUL listed for (6) #14 AWG (3 in, 3 out) 90°C conductors and feed through-branch wiring. Accommodates ceiling thicknesses up to 0.5" standard, field adjustable up to 2.5" thickness. For thicker ceiling consult factory. Fixture will not exceed 5 lb.

Electrical

Choice of constant current dimming drivers. Power factor > .9 typical.

Emergency

Emergency Battery Pack: Bodine BSL17C-C2. Emergency output —7W for 90 minutes. Maximum mounting height: 23.3ft. (Black reflector color: 18.1ft.)

Labels

UL and cUL listed. Suitable for Dry or Damp Locations, indoor use only. Specify wet listed (WL) for recessed ceiling applications in indoor and outdoor locations. Lutron Drivers not recommended for outdoor environments below 0°C.

Lumen Maintenance

Reported: L70 at >63,000 hours. Derived from EPA TM-21 calculator

Reliability

At Focal Point, our products are designed to stand the test of time. Each luminaire is engineered using superior components, manufactured with the utmost care and rigorously tested. Contact us for reliability data.

Warranty

LED System rated for operation in ambient environments up to 25°C. 5-year limited warranty.

TRIM & LED SPECIFICATIONS

LED System

Proprietary array incorporates premium LEDs on a robust platform. May be specified in 2700K, 3000K, 3500K or 4000K, CRI>80. Color accuracy within 2 SDCM. Aluminum heat sink provides appropriate thermal management.

Aesthetics

Parabolic reflector cone ensures glare free optics. Reflector is .050 spun aluminum. Torsion springs pull trim tight to the ceiling with no visible fasteners within the trim. Trims are self-flanged. Non-painted trim matches reflector finish. White painted flange may also be specified.

Optics

50-degree cut-off to light source and its image.

PERFORMANCE CHART

Delivered Lumens	System Watts	LPW
1000	11	88
1500	17	87
2000	21	94
2500	29	85
3000	36	83

*Based on 3000/3500K. Clear Diffuse reflector cone. 80CRI Multipliers: 2700K: 0.94, 4000K: 0.1.06. 90CRI Multipliers: 2700K: 0.71, 3000/3500K: 0.83, 4000K: 0.89. Black Multiplier: 0.56. White Multiplier: 1.13. Lumen output may vary +/- 5%. Actual wattage may vary +/- 5%.

Focal Point LLC reserves the right to change specifications for product improvement without notification.

HOUSING ORDERING

Housing Series	FLC6D
ID+ 6" Round Downlight	FLC6D
Trim Type	
Round Flush	RF
Round Overlap	RO
Lumen Output	
1000 Lumens	1000L
1500 Lumens	1500L
2000 Lumens	2000L
2500 Lumens	2500L
3000 Lumens	3000L
Voltage	
120V	120
277V**	277
Driver	
0-10V - 1% Dimming	L11
0-10V - 10% Dimming	LD1
Lutron A-Series -	
1% EcoSystem Digital	L3D
<small>(Consult factory for 3-wire control)</small>	
Lutron H-Series - 1% Dimming	LH1
Lutron 5-Series -	
5% EcoSystem Digital	LU5
<small>(Available with 2000L & 2500L)</small>	
DALI - 1% Dimming	D11
<small>(Available with 2500L & 3000L)</small>	
DMX - 3-Channel, 0% Dimming	MZ3
Housing Type	T
Thermally Protected, Non-IC	T
Factory Options	
Bar Hangers	BH
Chicago Plenum / National Plenum	CP
Emergency Battery	EM
<small>(Must order LC6EM trim)</small>	
TRIM & LED MODULE	
Aperture	
6" Round Reflector	LC6
6" Round Reflector - Emergency	LC6EM
<small>(Required for "EM" option)</small>	
Trim Type	RD
Round	RD
Lumen Output	
<small>(Trim & Housing output must match)</small>	
1000 Lumens	1000L
1500 Lumens	1500L
2000 Lumens	2000L
2500 Lumens	2500L
3000 Lumens	3000L
Color Temperature	
2700K	27K
2700K, 90CRI	927K
3000K	30K
3000K, 90CRI	930K
3500K	35K
3500K, 90CRI	935K
4000K	40K
4000K, 90CRI	940K
Optic	DN
Downlight	DN
Color	
Clear Diffuse	CD
Warm Diffuse	WD
Black	BK
<small>(Black Painted flange only)</small>	
White	WH
<small>(White Painted flange only)</small>	
Flange Finish	
Non-Painted	NP
<small>(Clear and warm diffuse only)</small>	
Black Painted	BP
White Painted	WP
Factory Options	
Wet Listed	WL
<small>(Not available with 90CRI)</small>	

A complete unit consists of two line items, housing and trim
Example: FLC6D-RO-1500L-120-LD-1T | LC6-RD-1500L-35K-DN-CD-NP

*For more information visit focalpointlights.com/reference or consult factory. **1500 and 2000 lumen outputs add 2 watts to system wattage.

ID+ 6"

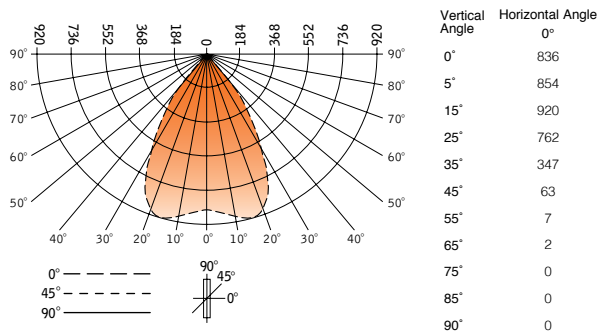
LED DOWNLIGHT

FLC6D-RO-1000L-120-L11-T / LC6-RO-1000L-35K / 40K-DN-CD-NP

Filename: FLC6DRO1000L_35K_40K_DNCD.IES
Test #: 1100924

Lumens: 961lm
System Watts: 11W
LPW: 87

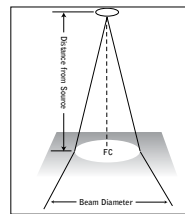
CANDLEPOWER DISTRIBUTION



LUMEN SUMMARY

Zone	Lumens	% Fixture
0-30°	682	71.0
0-40°	898	93.4
0-60°	959	99.8
0-90°	961	100.0
Total Luminaire	0-180°	961

FOOTCANDLE VALUES



0° aiming angle - horizontal surface

Distance from source	Beam Diameter	Center Beam (FC)
4'	5.2'	52
6'	7.9'	23
8'	10.5'	13
10'	13.1'	8

Footcandle results based on AGI32; Reflectances=0/0/0; LLF=1

Go to www.focalpointlights.com for additional photometric data.

ID+ 6"

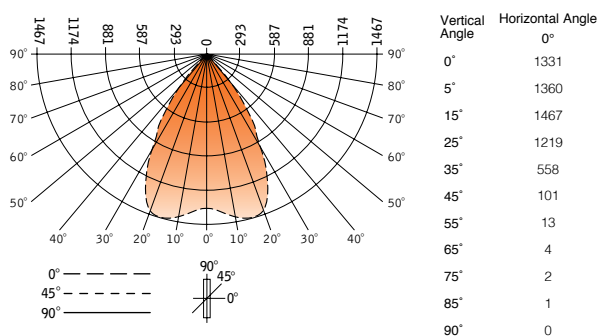
LED DOWNLIGHT

FLC6D-RO-1500L-120-L11-T / LC6-RO-1500L-35K / 40K-DN-CD-NP

Filename: FLC6DRO1500L_35K_40K_DNCD.IES
Test #: 1100922

Lumens: 1548lm
System Watts: 18W
LPW: 86

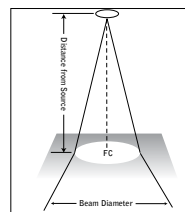
CANDLEPOWER DISTRIBUTION



LUMEN SUMMARY

Zone	Lumens	% Fixture
0-30°	1090	70.4
0-40°	1437	92.8
0-60°	1537	99.3
0-90°	1545	99.8
Total Luminaire	0-180°	1548

FOOTCANDLE VALUES



0° aiming angle - horizontal surface

Distance from source	Beam Diameter	Center Beam (FC)
4'	5.3'	83
6'	7.9'	37
8'	10.6'	21
10'	13.2'	13

Footcandle results based on AGI32; Reflectances=0/0/0; LLF=1

Go to www.focalpointlights.com for additional photometric data.

ID+ 6"

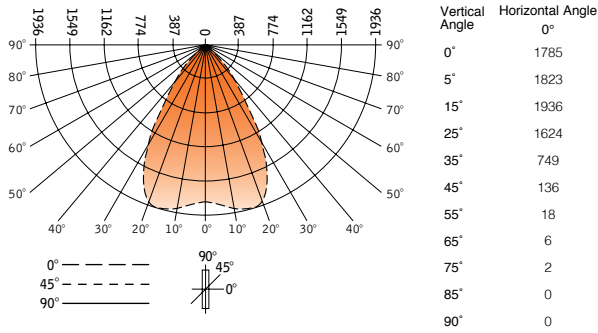
LED DOWNLIGHT

FLC6D-RO-2000L-120-L11-T / LC6-RO-2000L-35K / 40K-DN-CD-NP

Filename: FLC6DRO2000L_35K_40K_DNCD.IES
 Test #: 1117169

Lumens: 2058
 System Watts: 22W
 LPW: 94

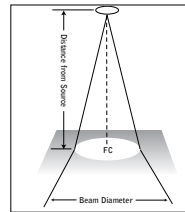
CANDLEPOWER DISTRIBUTION



LUMEN SUMMARY

Zone	Lumens	% Fixture
0-30°	1448	70.4
0-40°	1913	93.0
0-60°	2049	99.6
0-90°	2058	100.0
Total Luminaire	0-180°	2058

FOOTCANDLE VALUES



0° aiming angle - horizontal surface

Distance from source	Beam Diameter	Center Beam (FC)
4'	5.3'	112
6'	7.9'	50
8'	10.6'	28
10'	13.2'	18

Footcandle results based on AGI32; Reflectances=0/0/0; LLF=1

Go to www.focalpointlights.com for additional photometric data.

ID+ 6"

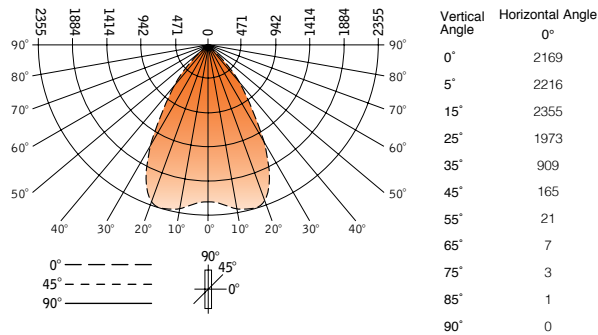
LED DOWNLIGHT

FLC6D-RO-2500L-120-L11-T / LC6-RO-2500L-35K / 40K-DN-CD-NP

Filename: FLC6DRO2500L_35K_40K_DNCD.IES
 Test #: 1117167

Lumens: 2500
 System Watts: 30W
 LPW: 83

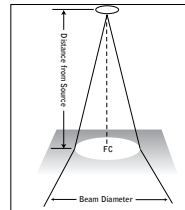
CANDLEPOWER DISTRIBUTION



LUMEN SUMMARY

Zone	Lumens	% Fixture
0-30°	1760	70.4
0-40°	2325	93.0
0-60°	2489	99.6
0-90°	2500	100.0
Total Luminaire	0-180°	2500

FOOTCANDLE VALUES



0° aiming angle - horizontal surface

Distance from source	Beam Diameter	Center Beam (FC)
4'	5.3'	136
6'	7.9'	60
8'	10.6'	34
10'	13.2'	22

Footcandle results based on AGI32; Reflectances=0/0/0; LLF=1

Go to www.focalpointlights.com for additional photometric data.

ID+ 6"

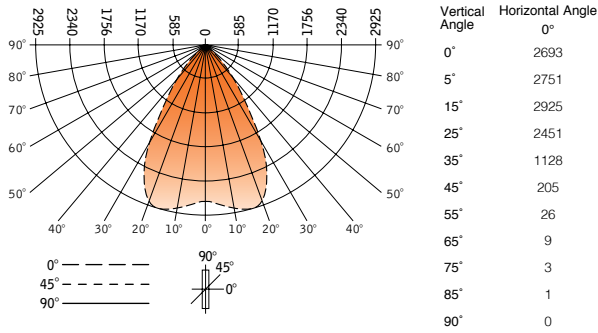
LED DOWNLIGHT

FLC6D-RO-3000L-120-L11-T / LC6-RO-3000L-35K / 40K-DN-CD-NP

Filename: FLC6DRO3000L_35K_40K_DNCD.IES
 Test #: 1117168

Lumens: 3104
 System Watts: 38W
 LPW: 82

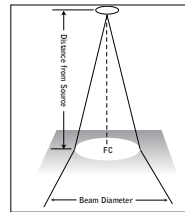
CANDLEPOWER DISTRIBUTION



LUMEN SUMMARY

Zone	Lumens	% Fixture
0-30°	2186	70.4
0-40°	2887	93.0
0-60°	3091	99.6
0-90°	3104	100.0
Total Luminaire 0-180°	3104	100.0

FOOTCANDLE VALUES



0° aiming angle - horizontal surface

Distance from source	Beam Diameter	Center Beam (FC)
4'	5.2'	168
6'	7.9'	75
8'	10.5'	42
10'	13.1'	27

Footcandle results based on AGI32; Reflectances=0/0/0; LLF=1

Go to www.focalpointlights.com for additional photometric data.