

luna[®] led

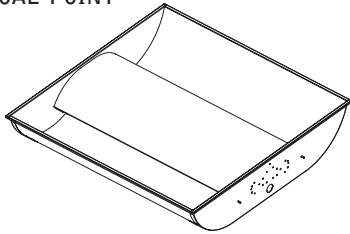
FLUL 1x4 | 2x2 | 2x4



FOCAL POINT[®]

⚠ AVOID ALL CONTACT WITH LED SURFACE, LEDs ARE EASILY DAMAGED!

FOCAL POINT



KEY



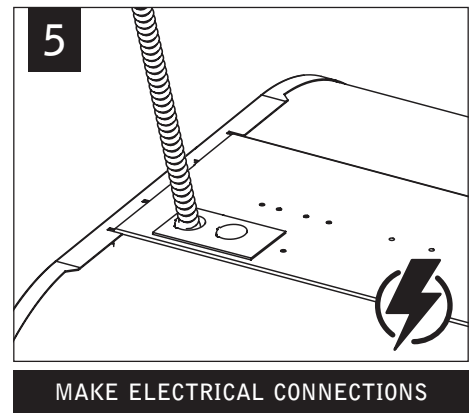
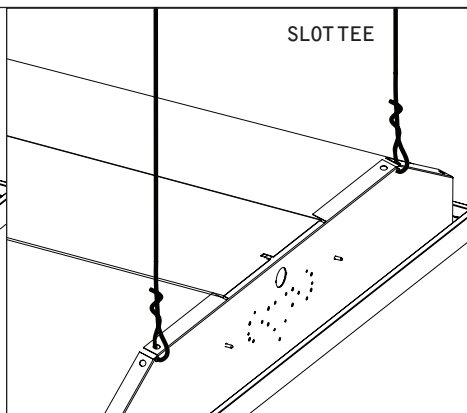
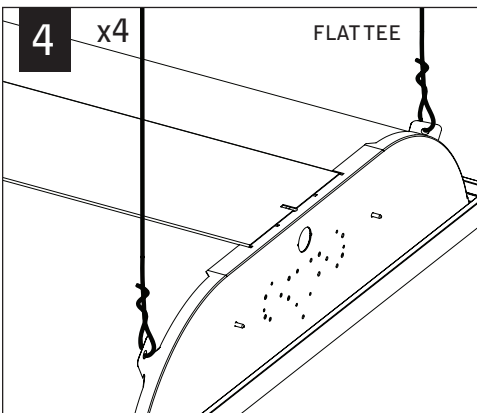
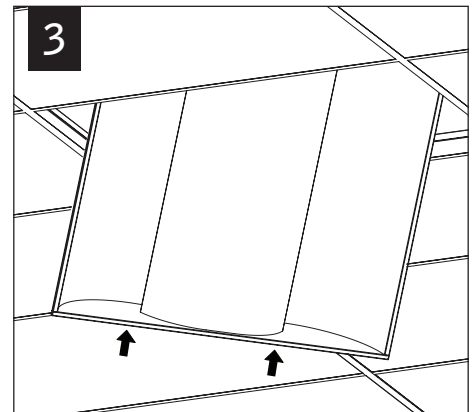
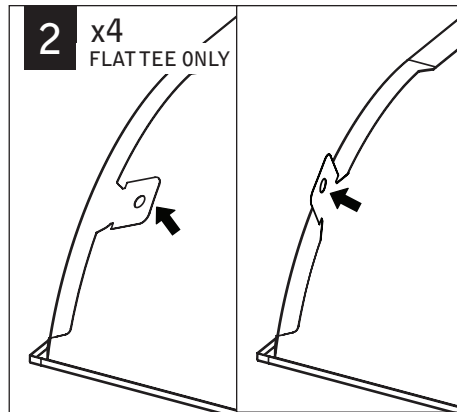
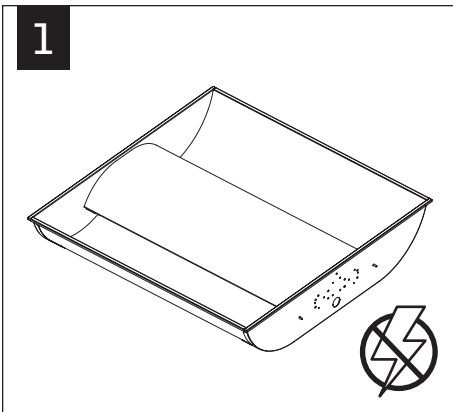
POWER OFF



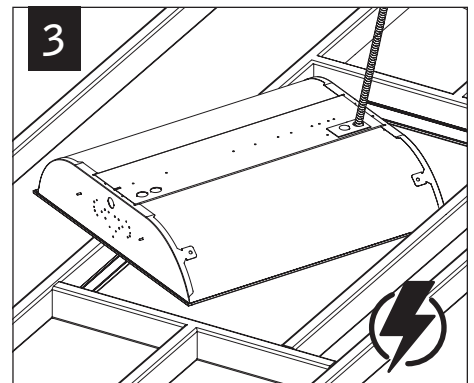
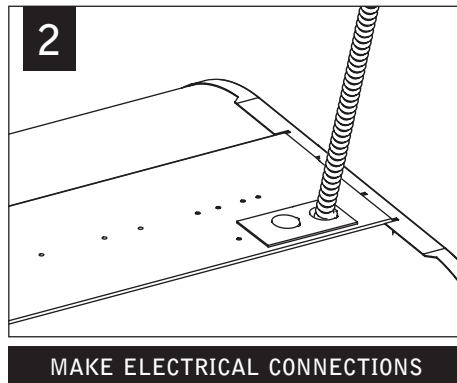
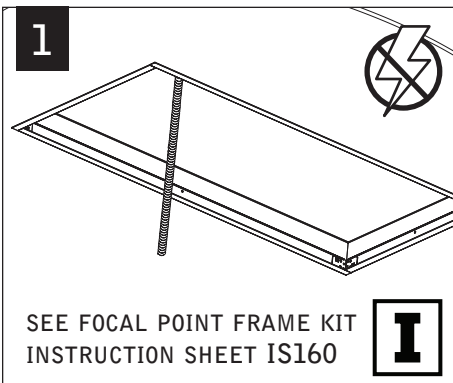
POWER ON



ATTENTION

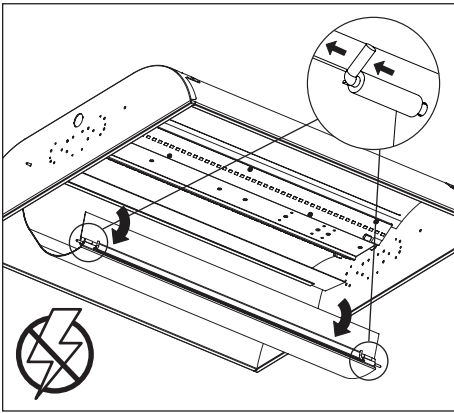


DRYWALL INSTALLATION

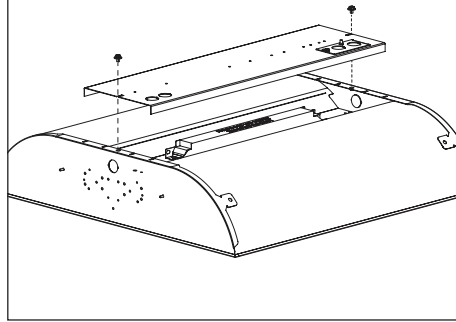


Fixtures must be installed by a qualified electrician (check with local and national codes for proper installation).
To prevent electrical shock, disconnect electrical supply before installation or servicing.

SERVICE

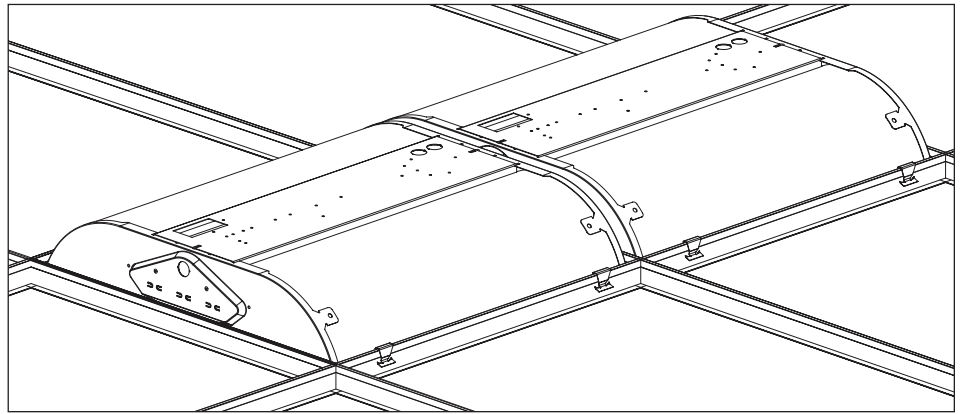


2 REMOVE DRIVER COVER



POSITIONAL CLIPS (OPTIONAL)

FOLLOW FOCAL POINT
INSTRUCTIONS FOR
POSITIONAL CLIP
INSTALLATION.
SEE IS138



EMERGENCY



SEE BATTERY MANUFACTURER
INSTRUCTIONS

EMERGENCY MAXIMUM MOUNTING HEIGHT:
24.00'

Contractor is responsible for adequately reinforcing walls and/or ceilings to support fixture weight. Focal Point, LLC accepts no responsibility for inadequately reinforced walls and/or ceilings. The information contained in this drawing is the sole property of Focal Point, LLC. Any reproduction in part or whole without the written permission of Focal Point, LLC is prohibited. US Patents: D605,340; D605,341; D605,342; D608,490; D620,190S. European Patents: 001596313-0001, 001596313-0002, 001596313-0003, 001596313-0004, 001596313-0005, 001596313-0006, 001596313-0007, 001596313-0008, 001596313-0009. Canadian Patents: 130763, 130764, 130765, 130766.